

 **BOEING**
COMPONENT
MAINTENANCE MANUAL

TO: ALL HOLDERS OF INBOARD AILERON ASSEMBLY COMPONENT MAINTENANCE MANUAL
57-60-11

REVISION NO. 9 DATED JUL 01/03

HIGHLIGHTS

Pages which have been added or revised are outlined below together with the highlights of the revision. Remove and insert the affected pages as listed and enter Revision No. and date on the Record of Revision Sheet.

CHAPTER/SECTION

AND PAGE NO.

DESCRIPTION OF CHANGE

TITLE PAGE

Added aileron assemblies 113T6100-87G thru -90G, -88H thru -90H in different colors.

1

301

Added clarifications and updated callouts.

401

501

REPAIR-GEN

601-602

REPAIR 1-1

601-604

REPAIR 2-1

601-604

REPAIR 3-1

601-602

REPAIR 4-1

601-602

REPAIR 5-1

601-605

REPAIR 6-1

601

REPAIR 7-1

601

REPAIR 8-1

601-607

701-705

801-802

1002,1040,1045

57-60-11

HIGHLIGHTS

01.1

Page 1

Jul 01/03

 **BOEING**
COMPONENT
MAINTENANCE MANUAL

CHAPTER/SECTION
AND PAGE NO.

DESCRIPTION OF CHANGE

501
REPAIR 1-1
601,603-604
REPAIR 2-1
601,603-604
REPAIR 3-1
601-602
REPAIR 4-1
601-602
REPAIR 5-1
601,603-605
REPAIR 6-1
601
REPAIR 7-1
601
REPAIR 8-1
604-607
701-705
801-802
1003-1004,1006-1035,
1051-1084H,1084J-1086J

Put the latest nose installations in a new IPL figure.

57-60-11

HIGHLIGHTS

01.1

Page 2

Jul 01/03

INBOARD AILERON ASSEMBLY

PART NUMBERS 113T6100-7SP,-8SP,-13,-14,-19,-20,
-21,-22,-85,-86,-87G THRU
-90G,-87H THRU -90H
113T6002-1SP,-2SP

COMPONENT MAINTENANCE MANUAL
WITH
ILLUSTRATED PARTS LIST

57-60-11

TITLE PAGE

Page 1

Jul 01/03

01.1



REVISION RECORD

- Retain this record in front of manual. On receipt of revision, insert revised pages in the manual, and enter revision number, date inserted and initial.

REVISION NUMBER	REVISION DATE	DATE FILED	BY	REVISION NUMBER	REVISION DATE	DATE FILED	BY

TEMPORARY REVISION AND SERVICE BULLETIN RECORD

BOEING SERVICE BULLETIN	BOEING TEMPORARY REVISION	OTHER DIRECTIVE	DATE OF INCORPORATION INTO MANUAL
		PRR A10515 PRR A10505 MC B1111-001 PRR A10514-6 PRR B10660 PRR A10526 PRR B10520 MC 1110MP6141	JUL 10/81 OCT 10/83 OCT 10/83 JAN 10/85 JAN 10/85 JAN 10/85 JAN 10/85 MAR 01/99

57-60-11

TR & SB RECORD

01.1

Page 1

Mar 01/99

PAGE	DATE	CODE	PAGE	DATE	CODE
57-60-11					
TITLE PAGE			REPAIR-GENERAL		
*1	JUL 01/03	01.1	*601	JUL 01/03	01.1
2	BLANK		*602	JUL 01/03	01.1
REVISION RECORD			REPAIR 1-1		
1	JAN 10/85	01.1	*601	JUL 01/03	01.1
2	BLANK		*602	JUL 01/03	01.1
TR & SB RECORD			*603	JUL 01/03	01.1
1	MAR 01/99	01.1	*604	JUL 01/03	01.1
2	BLANK		REPAIR 2-1		
LIST OF EFFECTIVE PAGES			*601	JUL 01/03	01.1
*1	JUL 01/03	01	*602	JUL 01/03	01.1
THRU LAST PAGE			REPAIR 3-1		
CONTENTS			*601	JUL 01/03	01.1
1	OCT 10/86	01.1	*602	JUL 01/03	01.1
2	BLANK		REPAIR 4-1		
INTRODUCTION			*601	JUL 01/03	01.1
1	APR 01/91	01.1	*602	JUL 01/03	01.1
2	BLANK		*603	JUL 01/03	01.1
DESCRIPTION & OPERATION			*604	JUL 01/03	01.1
1	JAN 10/85	01.1	*605	JUL 01/03	01.1
2	BLANK		*606	BLANK	
DISASSEMBLY			REPAIR 6-1		
*301	JUL 01/03	01.1	*601	JUL 01/03	01.1
302	BLANK		602	BLANK	
CLEANING			REPAIR 7-1		
*401	JUL 01/03	01.1	*601	JUL 01/03	01.1
402	BLANK		602	BLANK	
CHECK					
*501	JUL 01/03	01.1			
502	BLANK				

* = REVISED, ADDED OR DELETED

57-60-11

EFFECTIVE PAGES
CONTINUED Page 1
01 Jul 01/03

PAGE	DATE	CODE	PAGE	DATE	CODE
REPAIR 8-1			ILLUSTRATED PARTS LIST		
*601	JUL 01/03	01.1	*1021	JUL 01/03	01.1
*602	JUL 01/03	01.1	*1022	JUL 01/03	01.1
*603	JUL 01/03	01.1	*1023	JUL 01/03	01.1
*604	JUL 01/03	01.1	*1024	JUL 01/03	01.1
*605	JUL 01/03	01.1	*1025	JUL 01/03	01.1
*606	JUL 01/03	01.1	*1026	JUL 01/03	01.1
*607	JUL 01/03	01.1	*1027	JUL 01/03	01.1
*608	BLANK		*1028	JUL 01/03	01.1
ASSEMBLY			*1029	JUL 01/03	01.1
*701	JUL 01/03	01.1	*1030	JUL 01/03	01.1
*702	JUL 01/03	01.1	*1031	JUL 01/03	01.1
*703	JUL 01/03	01.1	*1032	JUL 01/03	01.1
*704	JUL 01/03	01.1	*1033	JUL 01/03	01.1
*705	JUL 01/03	01.1	*1034	JUL 01/03	01.1
*706	BLANK		*1035	JUL 01/03	01.1
FITS AND CLEARANCES			*1036	BLANK	
*801	JUL 01/03	01.1	*1037	JUL 01/03	01.1
*802	JUL 01/03	01.1	*1038	JUL 01/03	01.1
ILLUSTRATED PARTS LIST			*1039	JUL 01/03	01.1
1001	JAN 10/85	01.1	*1040	JUL 01/03	01.1
*1002	JUL 01/03	01.1	*1041	JUL 01/03	01.1
*1003	JUL 01/03	01.1	*1042	JUL 01/03	01.1
*1004	JUL 01/03	01.1	*1043	JUL 01/03	01.1
*1005	JUL 01/03	01.1	*1044	JUL 01/03	01.1
*1006	JUL 01/03	01.1	*1045	JUL 01/03	01.1
*1007	JUL 01/03	01.1	*1046	JUL 01/03	01.1
*1008	JUL 01/03	01.1	*1047	JUL 01/03	01.1
*1009	JUL 01/03	01.1	*1048	JUL 01/03	01.1
*1010	JUL 01/03	01.1	*1049	JUL 01/03	01.1
*1011	JUL 01/03	01.1	*1050	JUL 01/03	01.1
*1012	JUL 01/03	01.1	*1051	JUL 01/03	01.1
*1013	JUL 01/03	01.1	*1052	JUL 01/03	01.1
*1014	JUL 01/03	01.1	*1053	JUL 01/03	01.1
*1015	JUL 01/03	01.1	*1054	JUL 01/03	01.1
*1016	JUL 01/03	01.1	*1055	JUL 01/03	01.1
*1017	JUL 01/03	01.1	*1056	JUL 01/03	01.1
*1018	JUL 01/03	01.1	*1057	JUL 01/03	01.1
*1019	JUL 01/03	01.1	*1058	JUL 01/03	01.1
*1020	JUL 01/03	01.1	*1059	JUL 01/03	01.1
			*1060	JUL 01/03	01.1
			*1061	JUL 01/03	01.1
			*1062	JUL 01/03	01.1

* = REVISED, ADDED OR DELETED

57-60-11

EFFECTIVE PAGES
 CONTINUED Page 2
 01 Jul 01/03



BOEING
COMPONENT
MAINTENANCE MANUAL

PAGE	DATE	CODE	PAGE	DATE	CODE
ILLUSTRATED PARTS LIST		CONT.	ILLUSTRATED PARTS LIST		CONT.
*1063	JUL 01/03	01.1	*1080Y	JUL 01/03	01.1
*1064	JUL 01/03	01.1	*1080Z	JUL 01/03	01.1
*1065	JUL 01/03	01.1	*1081	JUL 01/03	01.1
*1066	JUL 01/03	01.1	*1082	JUL 01/03	01.1
*1067	JUL 01/03	01.1	*1082A	JUL 01/03	01.1
*1068	JUL 01/03	01.1	*1082B	JUL 01/03	01.1
*1069	JUL 01/03	01.1	*1082C	JUL 01/03	01.1
*1070	JUL 01/03	01.1	*1082D	JUL 01/03	01.1
*1071	JUL 01/03	01.1	*1082E	JUL 01/03	01.1
*1072	JUL 01/03	01.1	*1082F	JUL 01/03	01.1
*1073	JUL 01/03	01.1	*1082G	JUL 01/03	01.1
*1074	JUL 01/03	01.1	*1082H	JUL 01/03	01.1
*1075	JUL 01/03	01.1	*1082I	JUL 01/03	01.1
*1076	JUL 01/03	01.1	*1082J	JUL 01/03	01.1
*1077	JUL 01/03	01.1	*1082K	JUL 01/03	01.1
*1078	JUL 01/03	01.1	*1082L	JUL 01/03	01.1
*1079	JUL 01/03	01.1	*1082M	JUL 01/03	01.1
*1080	JUL 01/03	01.1	*1082N	JUL 01/03	01.1
*1080A	JUL 01/03	01.1	*1082O	JUL 01/03	01.1
*1080B	JUL 01/03	01.1	*1082P	JUL 01/03	01.1
*1080C	JUL 01/03	01.1	*1082Q	JUL 01/03	01.1
*1080D	JUL 01/03	01.1	*1082R	JUL 01/03	01.1
*1080E	JUL 01/03	01.1	*1082S	JUL 01/03	01.1
*1080F	JUL 01/03	01.1	*1082T	JUL 01/03	01.1
*1080G	JUL 01/03	01.1	*1082U	JUL 01/03	01.1
*1080H	JUL 01/03	01.1	*1082V	JUL 01/03	01.1
*1080I	JUL 01/03	01.1	*1082W	JUL 01/03	01.1
*1080J	JUL 01/03	01.1	*1082X	JUL 01/03	01.1
*1080K	JUL 01/03	01.1	*1082Y	JUL 01/03	01.1
*1080L	JUL 01/03	01.1	*1082Z	JUL 01/03	01.1
*1080M	JUL 01/03	01.1	*1083	JUL 01/03	01.1
*1080N	JUL 01/03	01.1	*1084	JUL 01/03	01.1
*1080O	JUL 01/03	01.1	*1084A	JUL 01/03	01.1
*1080P	JUL 01/03	01.1	*1084B	JUL 01/03	01.1
*1080Q	JUL 01/03	01.1	*1084C	JUL 01/03	01.1
*1080R	JUL 01/03	01.1	*1084D	JUL 01/03	01.1
*1080S	JUL 01/03	01.1	*1084E	JUL 01/03	01.1
*1080T	JUL 01/03	01.1	*1084F	JUL 01/03	01.1
*1080U	JUL 01/03	01.1	*1084G	JUL 01/03	01.1
*1080V	JUL 01/03	01.1	*1084H	JUL 01/03	01.1
*1080W	JUL 01/03	01.1	*1084I	BLANK	
*1080X	JUL 01/03	01.1	*1084J	JUL 01/03	01.1

* = REVISED, ADDED OR DELETED

57-60-11

EFFECTIVE PAGES
CONTINUED Page 3
01 Jul 01/03

PAGE	DATE	CODE	PAGE	DATE	CODE
ILLUSTRATED PARTS LIST		CONT.			
*1084K	JUL 01/03	01.1			
*1084L	JUL 01/03	01.1			
*1084M	JUL 01/03	01.1			
*1084N	JUL 01/03	01.1			
*1084O	JUL 01/03	01.1			
*1084P	JUL 01/03	01.1			
*1084Q	JUL 01/03	01.1			
*1084R	JUL 01/03	01.1			
*1084S	JUL 01/03	01.1			
*1084T	JUL 01/03	01.1			
*1084U	JUL 01/03	01.1			
*1084V	JUL 01/03	01.1			
*1084W	JUL 01/03	01.1			
*1084X	JUL 01/03	01.1			
*1084Y	JUL 01/03	01.1			
*1084Z	JUL 01/03	01.1			
*1085	JUL 01/03	01.1			
*1086	JUL 01/03	01.1			
*1086A	JUL 01/03	01.1			
*1086B	JUL 01/03	01.1			
*1086C	JUL 01/03	01.1			
*1086D	JUL 01/03	01.1			
*1086E	JUL 01/03	01.1			
*1086F	JUL 01/03	01.1			
*1086G	JUL 01/03	01.1			
*1086H	JUL 01/03	01.1			
*1086I	JUL 01/03	01.1			
*1086J	JUL 01/03	01.1			

* = REVISED, ADDED OR DELETED

57-60-11

EFFECTIVE PAGES
 LAST PAGE Page 4
 01 Jul 01/03

TABLE OF CONTENTS

<u>Paragraph Title</u>	<u>Page</u>
Description and Operation.	1
Testing and Trouble Shooting (not applicable)	
Disassembly.	301
Cleaning	401
Check.	501
Repair	601
Assembly	701
 Fits and Clearances.	801
Special Tools (not applicable)	
Illustrated Parts List	1001

INTRODUCTION

The instructions in this manual provide the information necessary to perform maintenance functions ranging from simple checks and replacement to complete shop-type repair.

This manual is divided into separate sections:

- | | |
|--|------------------------------|
| 1. Title Page | 4. List of Effective Pages |
| 2. Record of Revisions | 5. Table of Contents |
| 3. Temporary Revision &
Service Bulletin Record | 6. Introduction |
| | 7. Procedures & IPL Sections |

Refer to the Table of Contents for the page location of applicable sections. An asterisked flagnote *[] in place of the page number indicates that no special instructions are provided since the function can be performed using standard industry practices.

The beginning of the REPAIR section includes a list of the separate repairs, a list of applicable standard Boeing practices, and an explanation of the True Position Dimensioning symbols used.

An explanation of the use of the Illustrated Parts List is provided in the Introduction to that section.

All weights and measurements used in the manual are in English units, unless otherwise stated. When metric equivalents are given they will be in parentheses following the English units.

Design changes, optional parts, configuration differences and Service Bulletin modifications create alternate part numbers. These are identified in the Illustrated Parts List (IPL) by adding an alphabetical character to the basic item number. The resulting item number is called an alpha-variant. Throughout the manual, IPL basic item number references also apply to alpha-variants unless otherwise indicated.

Verification:

| Assembly: Apr 26, 1982

57-60-11

INTRODUCTION

01.1

Page 1

Apr 01/91

INBOARD AILERON ASSEMBLY

DESCRIPTION AND OPERATION

1. Description and Operation

A. The inboard aileron assembly is composed of an upper and lower panel, both composite structures, four rib installations, two actuator fitting assemblies, two hinge fitting assemblies and two fail safe hinge support fitting assemblies. The ailerons are hinged to the trailing edge of the wing and are activated by the control column to provide lateral control at high speed.

2. Leading Particulars (approximate)

A. Length -- 89 inches

B. Width -- 72 inches

C. Thickness -- 10 inches

D. Weight -- 134 pounds

57-60-11

DESCRIPTION & OPERATION

01.1

Page 1

Jan 10/85

DISASSEMBLY

CAUTION: IDENTIFICATION PLATE, PANELS, ANGLES, RIBS, NOSE INSTALLATIONS, FILLERS, PLATES, AND SEAL RETAINERS ARE FAY SURFACED SEALED WITH BMS 5-95 SEALANT. REFER TO SOPM 20-10-08 FOR REMOVAL, OR DAMAGE TO THE STRUCTURE MAY OCCUR.

1. Disassemble this component only as necessary to complete fault isolation, determine the serviceability of parts, perform required repairs and restore the unit to serviceable condition.

57-60-11

DISASSEMBLY

01.1

Page 301

Jul 01/03

CLEANING

CAUTION: DO NOT VAPOR DEGREASE GRAPHITE/ARAMID EPOXY STRUCTURES WITH CHLORINATED CLEANING AGENTS SUCH AS METHYLENE CHLORIDE, TRICHLOROETHYLENE, AND TRICHLOROETHANE. CHLORINATED CLEANING AGENTS WILL CAUSE DAMAGE TO GRAPHITE/ARAMID EPOXY STRUCTURES.

1,1,1-TRICHLOROETHANE CAN BE USED TO CLEAN COMPOSITE COMPONENTS. DO NOT SOAK PARTS IN THE SOLVENT OR LET SOLVENT STAY ON THE PARTS OR DAMAGE CAN OCCUR. USE 1,1,1-TRICHLOROETHANE ONLY AS A WIPE SOLVENT.

1. Clean all parts by standard industry practices and the instructions in SOPM 20-30-03.

57-60-11

CLEANING
Page 401
Jul 01/03

01.1

CHECK

1. Do a visual check for any obvious damage on all visible parts according to standard industry practices. Do the penetrant check if cracks or damage are seen or if you think there are cracks or damage.
2. Penetrant check per SOPM 20-20-02.
 - A. IPL Fig. 1: Fittings (173, 176, 260, 263, 368, 371, 395, 398, 497, 500, 590, 593) and Ribs (302, 305, 437, 440)
 - B. IPL Fig. 2: Fittings (295, 300, 325, 330, 410, 415, 440, 445, 450, 455, 505, 510, 540, 545), Ribs (365, 370, 470, 475)
3. Check honeycomb and bonded parts for evidence of delamination, internal water, scratches, and contour defects.
 - A. If you see delamination or impact damage on a visual check, do an ultrasonic inspection or tap test to find all of the damage.

NOTE: For the tap test, use a solid metal disk and tap the surface area lightly but firmly. Void areas will produce a dull sound as opposed to a sharp ring on a solid bonded area. Refer to 767 Nondestructive Test Manual, Part 1, 51-05-01.
 - B. Examine areas suspected of containing water radiographically or by thermography as shown in 767 Nondestructive Test Manual, Part 9, 51-00-01.
4. Refer to 767 Structural Repair Manual, 57-60-00 for damage limits.
5. Refer to Fits and Clearances section for design dimensions and wear limits.

57-60-11

CHECK

01.1

Page 501

Jul 01/03

REPAIR – GENERAL

1. Content

A. Repair, refinish and replacement procedures, as applicable, are included in separate repair sections as follows:

<u>P/N</u>	<u>NOMENCLATURE</u>	<u>REPAIR</u>
113T6145	FITTING ASSY	1-1
113T6140	FITTING ASSY	2-1
113T6142	FITTING ASSY	3-1
113T6141	FITTING ASSY	4-1
113T6143	FITTING ASSY	5-1
113T6144	FITTING ASSY	6-1
113T6146	FITTING ASSY	7-1
- - -	MISCELLANEOUS PARTS REFINISH	8-1

2. Standard Practices

A. Refer to the following standard practices, as applicable, for details of procedures in individual repairs.

- 20-30-02 Stripping of Protective Finishes
- 20-30-03 General Cleaning Procedures
- 20-41-01 Decoding Table for Boeing Finish Codes
- 20-41-02 Application of Chemical and Solvent Resistant Finishes
- 20-43-01 Chromic Acid Anodizing
- 20-44-01 Application of Abrasion Resistant Finishes
- 20-50-03 Bearing and Bushing Replacement
- 20-60-02 Finishing Materials
- 20-60-04 Miscellaneous Materials

3. Materials

NOTE: Equivalent substitutes can be used.

- A. Coating, Teflon filled -- BMS 10-86, type 1, gray (SOPM 20-60-02)
- B. Coating, chemical conversion -- Alodine 1200 or 1200S (SOPM 20-60-02)

- | C. Conditioner, Static -- Dexter 28-C-1 (SOPM 20-60-04)
- | D. Enamel -- BMS 10-11, type 2, BAC702 white gloss (SOPM 20-60-02)
-- BMS 10-60 gloss (SOPM 20-60-02)
- | E. Primer -- BMS 10-11, type 1 (SOPM 20-60-02)
- | F. Sealant -- BMS 5-95, class B (SOPM 20-60-04)

| 4. Dimensioning Symbols

- | A. Standard True Position Dimensioning Symbols used in applicable repair procedures are shown in SOPM 20-00-00.

57-60-11

REPAIR-GENERAL

01.1

Page 602

Jul 01/03

FITTING ASSEMBLY – REPAIR 1-1

113T6145-1, -2, -5, -6, -11, -12

NOTE: Refer to REPAIR – GENERAL for a list of applicable standard practices.
Refer to IPL Fig. 1 or 2 for item numbers as applicable.

1. Bushing Replacement (Fig. 601)

- A. Remove the old bushing.
- B. If you find defects on the fitting surfaces refer to par. 2 for repair instructions.
- C. Install a replacement bushing by the shrink-fit method (SOPM 20-50-03).
- D. Machine the bushing to design dimensions and finish.
- E. Fillet seal the bushing flange with BMS 5-95, class B sealant.

2. Repair (Fig. 601)

- A. Hole for bushing.
 - (1) Machine as required, within repair limits, to remove defects.
 - (2) Penetrant examine (SOPM 20-20-02).
 - (3) Shot peen the bore as indicated.
 - (4) Refinish per par. 3.A.
 - (5) Make an oversize bushing (Fig. 602) to adjust for the material removed.

57-60-11

REPAIR 1-1

01.1

Page 601

Jul 01/03

(6) Install the bushing per par. 1. above.

3. Refinish

A. Fittings -- Chromic acid anodize and apply BMS 10-11, type 1 primer (F-18.13), but no primer in hole for bushing. Material: Aluminum alloy.

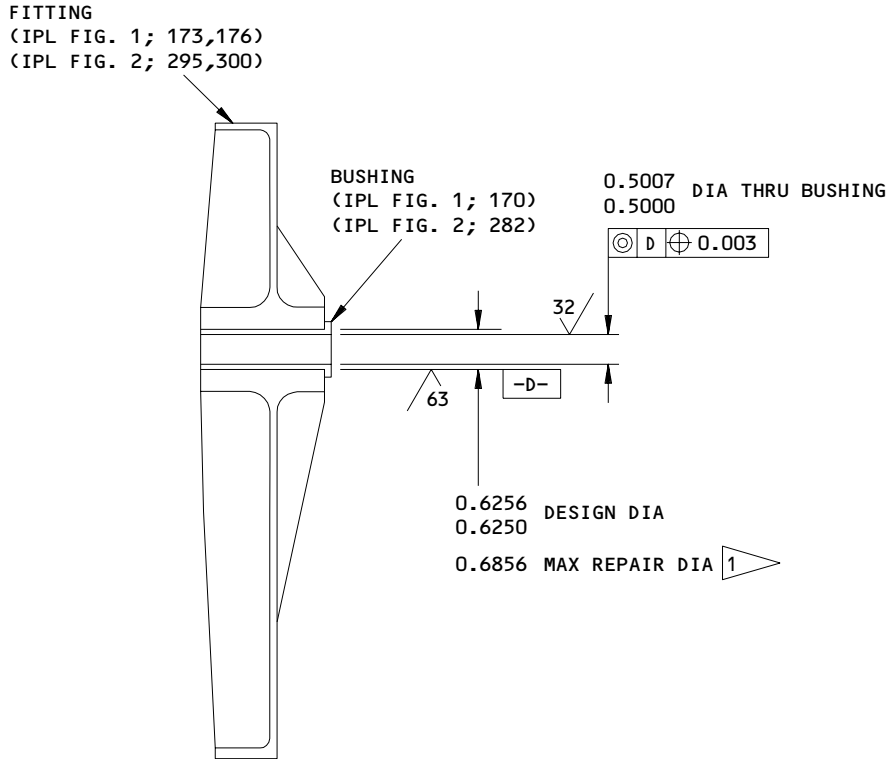
57-60-11

REPAIR 1-1

01.1

Page 602

Jul 01/03



1 LIMIT FOR INSTALLATION OF OVERSIZE BUSHING

REPAIR

REF 1

125 ✓ ALL MACHINED SURFACES UNLESS SHOWN DIFFERENTLY

SHOT PEEN: 0.023-0.055 SHOT SIZE
0.006 A2 INTENSITY

MATERIAL: AL ALLOY

ALL DIMENSIONS ARE IN INCHES

113T6145-1,-2,-5,-6,-11,-12
Fitting Assembly Repair
Figure 601

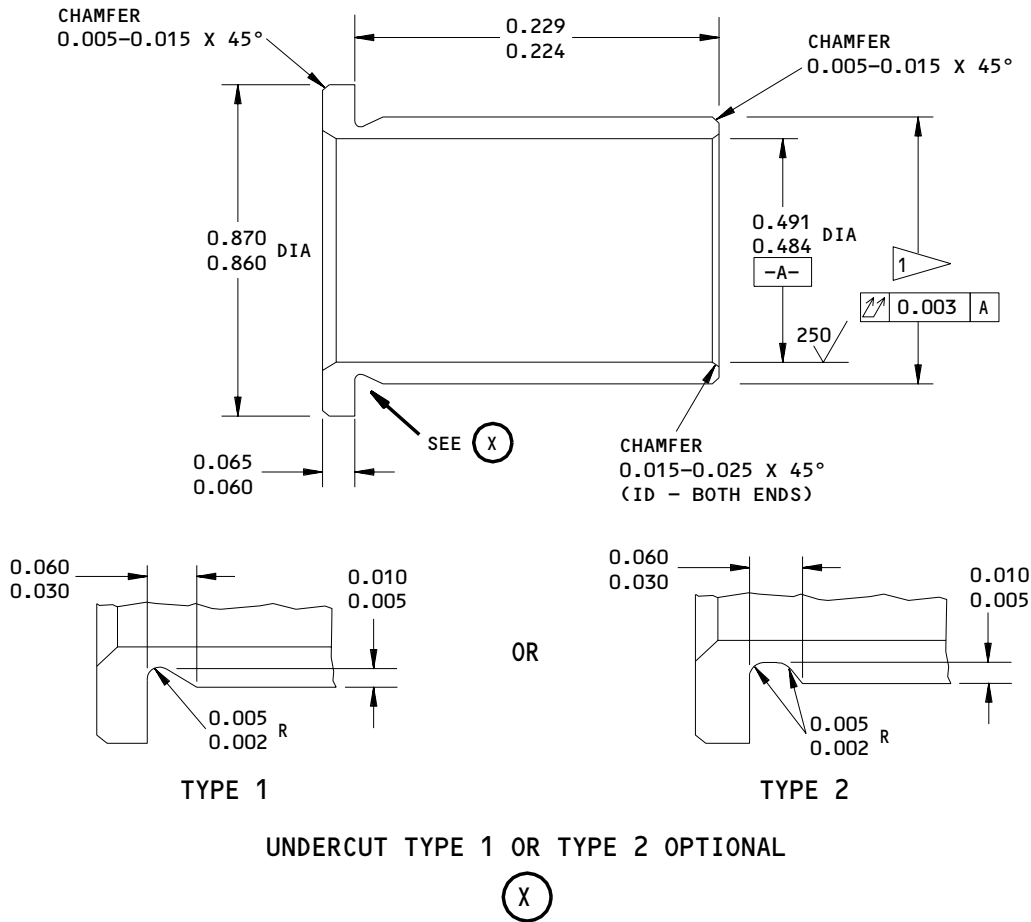
57-60-11

REPAIR 1-1

01.1

Page 603

Jul 01/03



1 FINAL BUSHING OUTSIDE DIA EQUALS REPAIR DIA OF LUG HOLE PLUS 0.0005 - 0.0013 INTERFERENCE

63/ ALL MACHINED SURFACES UNLESS SHOWN DIFFERENTLY

ANGULAR TOLERANCE, ±0.50 DEG

MATERIAL: 15-5PH OR 17-4PH CRES, 180-200 KSI

FINISH: CADMIUM PLATE (F-15.06) OR ZINC-NICKEL PLATE (F-15.40). PLATING IN BORE OPTIONAL

ALL DIMENSIONS ARE IN INCHES

DIMENSIONS APPLY AFTER PLATING

REPLACES BUSHING (IPL FIG. 1; 170) OR (IPL FIG. 2; 282) BACB28AP09P229

Oversize Bushing Details
 Figure 602

57-60-11

REPAIR 1-1

01.1

Page 604

Jul 01/03

FITTING ASSEMBLY – REPAIR 2-1

113T6140-1, -2, -3, -4, -11, -12

NOTE: Refer to REPAIR – GENERAL for a list of applicable standard practices.
Refer to IPL Fig. 1 or 2 for item numbers, as applicable.

1. Bushing Replacement (Fig. 601)

- A. Remove the old bushing.
- B. If you find defects on the fitting surfaces, refer to par. 2 for repair instructions.
- C. Install replacement bushings by the shrink-fit method (SOPM 20-50-03).
- D. Machine the bushings to design dimensions and finish.
- E. Fillet seal the bushing flanges with BMS 5-95, class B sealant.

2. Repair (Fig. 601)

- A. Hole for bushings.
 - (1) Machine as required, within repair limits, to remove defects.
 - (2) Penetrant examine (SOPM 20-20-02).
 - (3) Shot peen the bores as indicated.
 - (4) Refinish per par. 3.A.
 - (5) Make oversize bushings (Fig. 602) to adjust for the material removed.

57-60-11

REPAIR 2-1

01.1

Page 601

Jul 01/03

(6) Install the bushings per par. 1, above.

3. Refinish

- A. Fittings -- Chromic acid anodize and apply BMS 10-11, type 1 primer (F-18.13). Apply BMS 10-60, BAC707 gray gloss enamel (F-14.9813, which replaces SRF-14.9813), but no primer or enamel in holes for bushings.
Material: Al alloy.

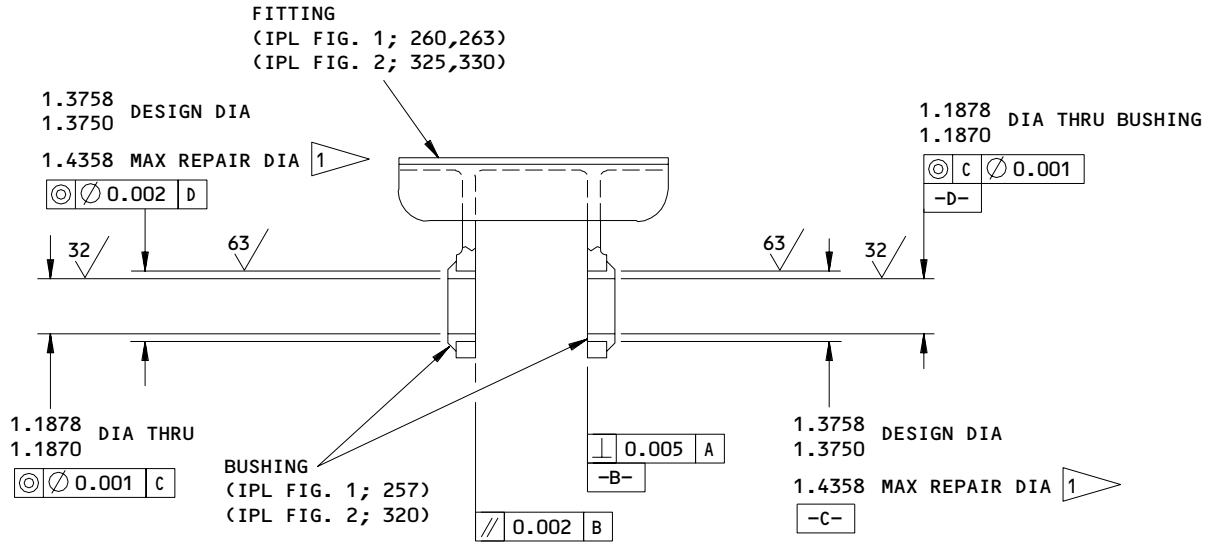
57-60-11

REPAIR 2-1

01.1

Page 602

Jul 01/03



1 LIMIT FOR INSTALLATION OF OVERSIZE BUSHING

REPAIR

REF 1

125/ ALL MACHINED SURFACES UNLESS SHOWN DIFFERENTLY

SHOT PEEN: 0.023-0.055 SHOT SIZE
0.006 A2 INTENSITY

MATERIAL: AL ALLOY

ALL DIMENSIONS ARE IN INCHES

113T6140-1,-2,-3,-4,-11,-12
Fitting Assembly Repair
Figure 601

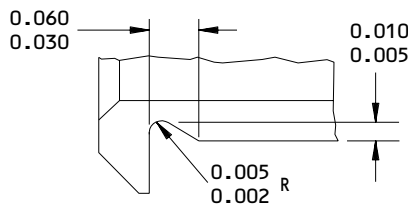
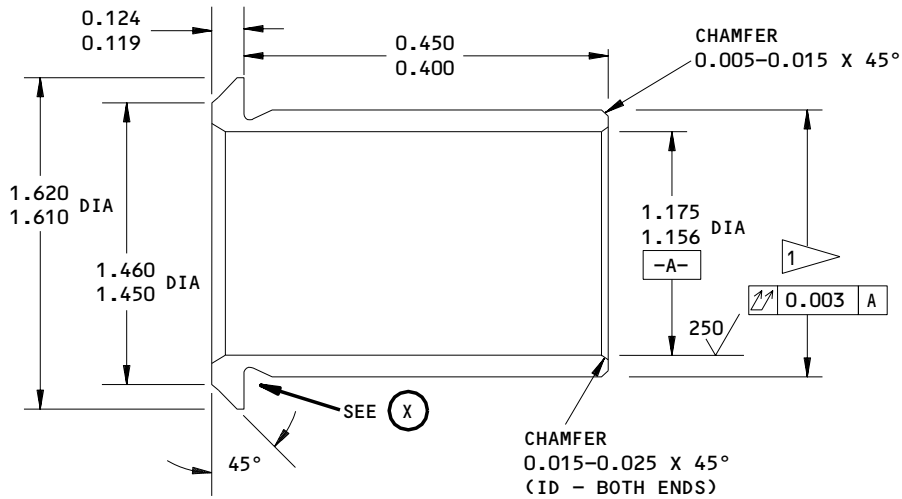
57-60-11

REPAIR 2-1

01.1

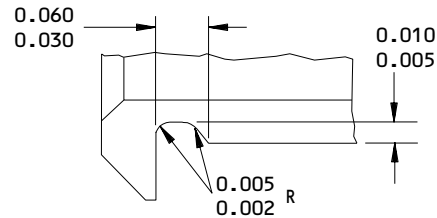
Page 603

Jul 01/03



TYPE 1

OR



TYPE 2

UNDERCUT TYPE 1 OR TYPE 2 OPTIONAL

(X)

1 FINAL BUSHING OUTSIDE DIA EQUALS REPAIR DIA OF LUG HOLE PLUS 0.0009 - 0.0025 INTERFERENCE

63/ ALL MACHINED SURFACES UNLESS SHOWN DIFFERENTLY

ANGULAR TOLERANCE, ±0.50 DEG

MATERIAL: ALUMINUM-NICKEL BRONZE (AMS 4640)

FINISH: CADMIUM PLATE (F-15.06) OR ZINC-NICKEL PLATE (F-15.40). PLATING IN BORE OPTIONAL

ALL DIMENSIONS ARE IN INCHES

DIMENSIONS APPLY AFTER PLATING

REPLACES BUSHING (IPL FIG. 1; 257) OR (IPL FIG. 2; 320) BACB28AM19B045A

Oversize Bushing Details
 Figure 602

57-60-11

REPAIR 2-1

Page 604

Jul 01/03

01.1

FITTING ASSEMBLY – REPAIR 3-1

113T6142-1, -2, -5, -6, -10, 11

NOTE: Refer to REPAIR – GENERAL for a list of applicable standard practices.
Refer to IPL Fig. 1 or 2 for item numbers, as applicable.

1. Bushings Replacement (Fig. 601)

- A. Remove the old bushings.
- B. Install replacement bushings by the shrink-fit method (SOPM 20-50-03).
- C. Machine the bushings to design dimensions and finish.
- D. Fillet seal the bushing flanges with BMS 5-95, class B sealant.

2. Refinish

- A. Fittings -- Chromic acid anodize and apply BMS 10-11, type 1 primer (F-18.13), but no primer in holes for bushings. Material: Al alloy.

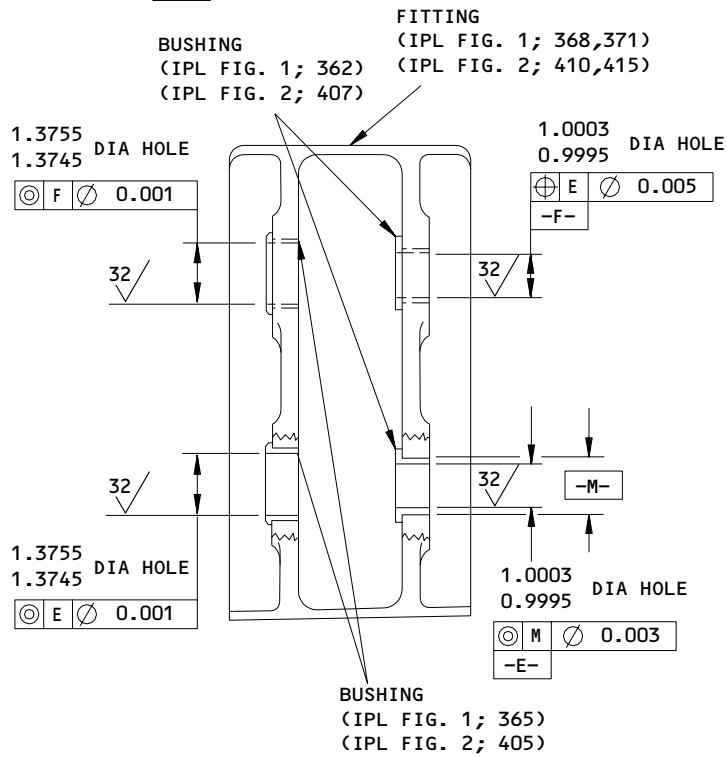
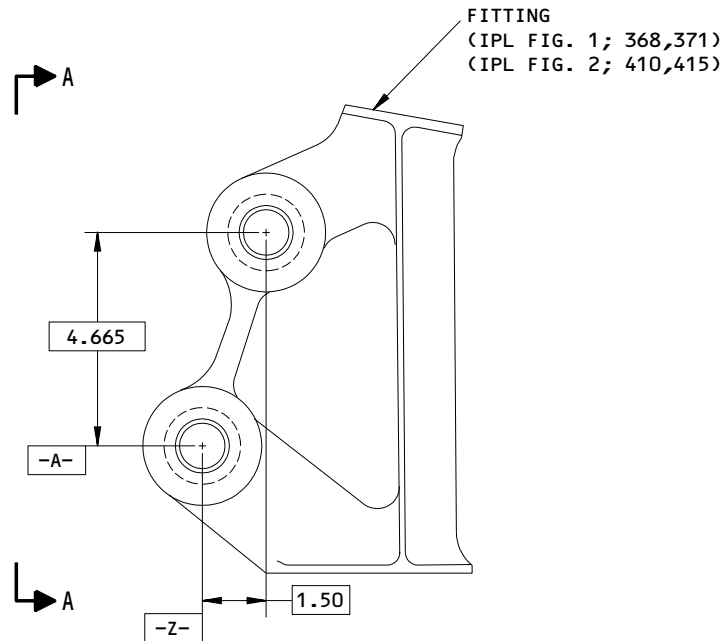
57-60-11

REPAIR 3-1

01.1

Page 601

Jul 01/03



A-A

ALL DIMENSIONS ARE IN INCHES

Bushing Replacement
Figure 601

57-60-11

REPAIR 3-1

01.1

Page 602

Jul 01/03

FITTING ASSEMBLY – REPAIR 4-1

113T6141-1, -2, -5, -6, -10, -11

NOTE: Refer to REPAIR – GENERAL for a list of applicable standard practices.
Refer to IPL Fig. 1 or 2 for item numbers, as applicable.

1. Bushings Replacement (Fig. 601)

- A. Remove the old bushings.
- B. Install replacement bushings by the shrink-fit method (SOPM 20-50-03).
- C. Machine the bushings to design dimensions and finish.
- D. Fillet seal the bushing flanges with BMS 5-95, class B sealant.

2. Refinish

- A. Fittings -- Chromic acid anodize and apply BMS 10-11, type 1 primer (F-18.13), but no primer in holes for bushings. Material: Al alloy.

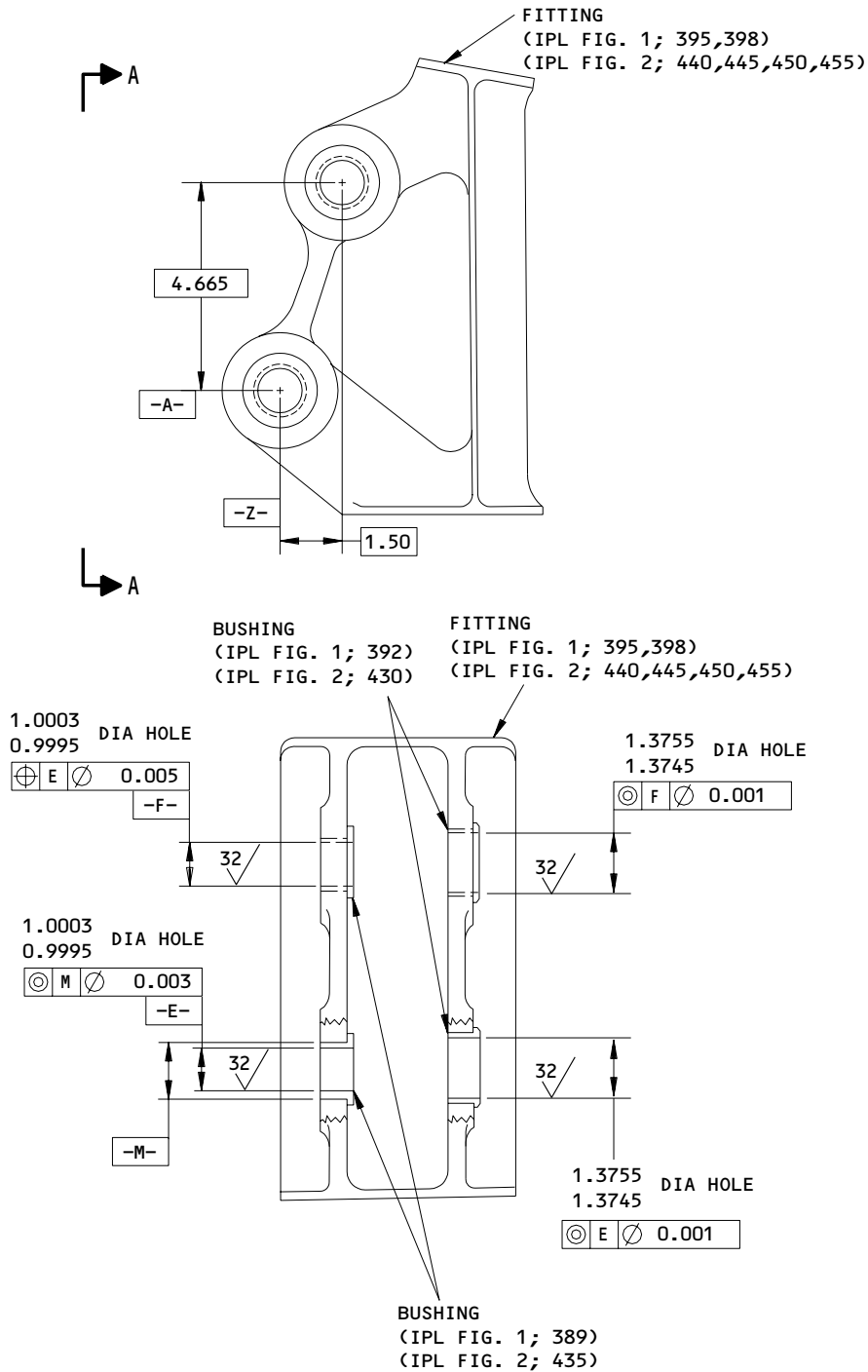
57-60-11

REPAIR 4-1

01.1

Page 601

Jul 01/03



ALL DIMENSIONS ARE IN INCHES

Bushing Replacement
Figure 601

57-60-11

REPAIR 4-1

Page 602

Jul 01/03

01.1

FITTING ASSEMBLY – REPAIR 5-1

113T6143-1, -2, -5, -6

NOTE: Refer to REPAIR – GENERAL for a list of applicable standard practices.
Refer to IPL Fig. 1 or 2 for item numbers, as applicable.

1. Bushings Replacement (Fig. 601)

- A. Remove the old bushings.
- B. If you find defects on fitting surfaces, refer to par. 2 for repair instructions.
- C. Install replacement bushings by the shrink-fit method (SOPM 20-50-03).
- D. Machine the bushings to design dimensions and finish.
- E. Fillet seal the bushing flanges with BMS 5-95 sealant.

2. Repair (Fig. 601)

- A. Holes for bushings.
 - (1) Machine as required, within repair limits, to remove defects.
 - (2) Penetrant examine (SOPM 20-20-02).
 - (3) Shot peen the bore as indicated.
 - (4) Refinish per par. 3.A.
 - (5) Make oversize bushings (Fig. 602, 603) to adjust for the material removed.

57-60-11

REPAIR 5-1

01.1

Page 601

Jul 01/03

(6) Install the bushings per par. 1, above.

3. Refinish

- A. Fittings -- Chromic acid anodize and apply BMS 10-11, type 1 primer (F-18.13) and BMS 10-60, BAC707 gray gloss enamel (F-14.9813, which replaces SRF-14.9813), but no primer or enamel in holes for bushings.
Material: Al alloy.

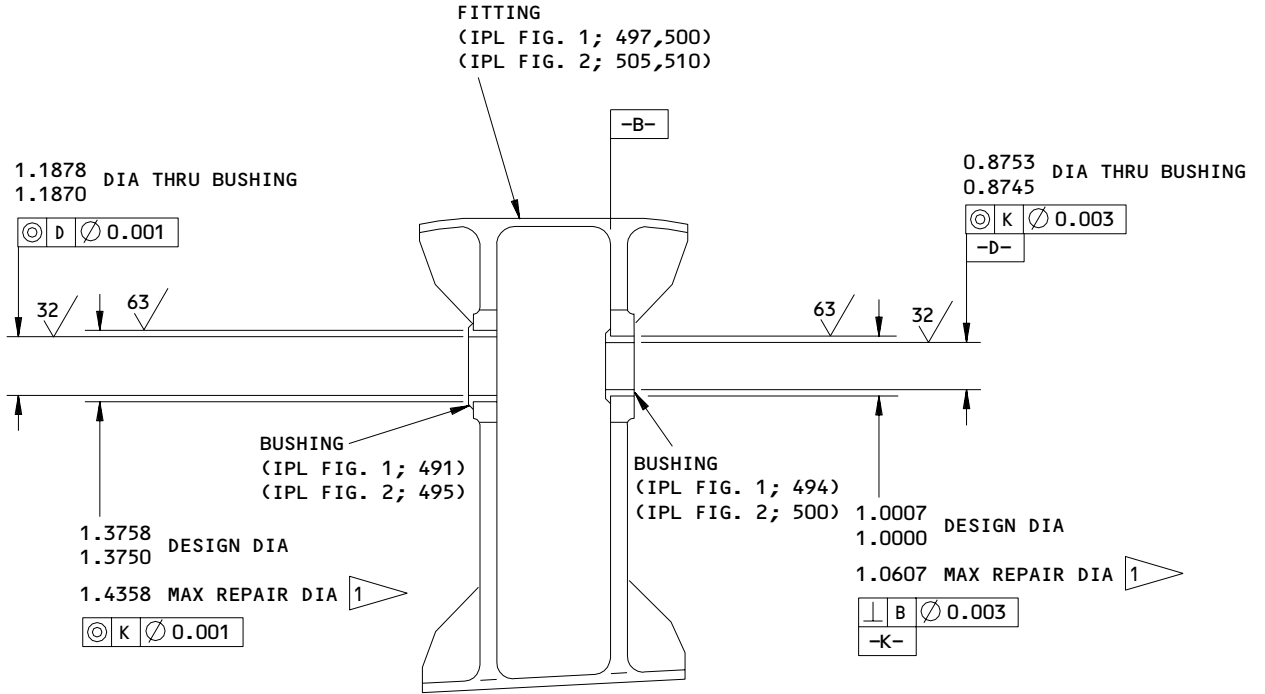
57-60-11

REPAIR 5-1

01.1

Page 602

Jul 01/03



1 LIMIT FOR INSTALLATION OF OVERSIZE BUSHING

REPAIR

REF 1

125/ ALL MACHINED SURFACES UNLESS SHOWN DIFFERENTLY

SHOT PEEN: 0.023-0.055 SHOT SIZE
0.008 A2 INTENSITY

MATERIAL: AL ALLOY

ALL DIMENSIONS ARE IN INCHES

113T6143-1,-2,-5,-6
Fitting Assembly Repair
Figure 601

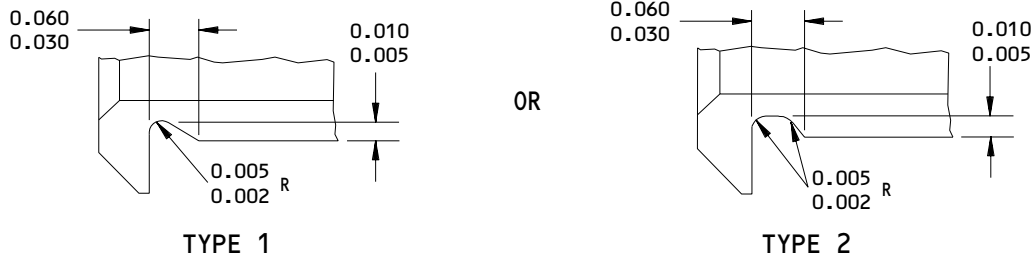
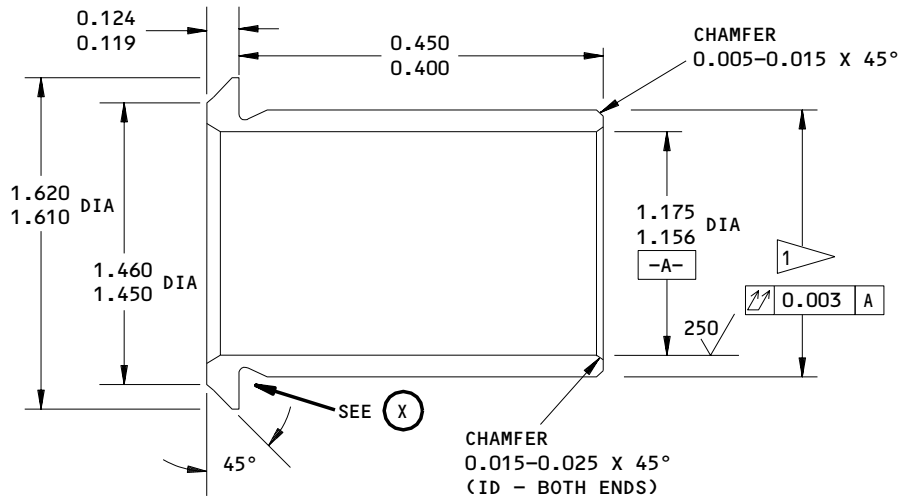
57-60-11

REPAIR 5-1

01.1

Page 603

Jul 01/03



UNDERCUT TYPE 1 OR TYPE 2 OPTIONAL

(X)

1 FINAL BUSHING OUTSIDE DIA EQUALS REPAIR DIA OF LUG HOLE PLUS 0.0009 - 0.0025 INTERFERENCE

63/ ALL MACHINED SURFACES UNLESS SHOWN DIFFERENTLY

ANGULAR TOLERANCE, ±0.50 DEG

MATERIAL: ALUMINUM-NICKEL BRONZE (AMS 4640)

FINISH: CADMIUM PLATE (F-15.06) OR ZINC-NICKEL PLATE (F-15.40). PLATING IN BORE OPTIONAL

ALL DIMENSIONS ARE IN INCHES

DIMENSIONS APPLY AFTER PLATING

REPLACES BUSHING (IPL FIG. 1; 491) OR (IPL FIG. 2; 495) BACB28AM19B045A

Oversize Bushing Details
 Figure 602

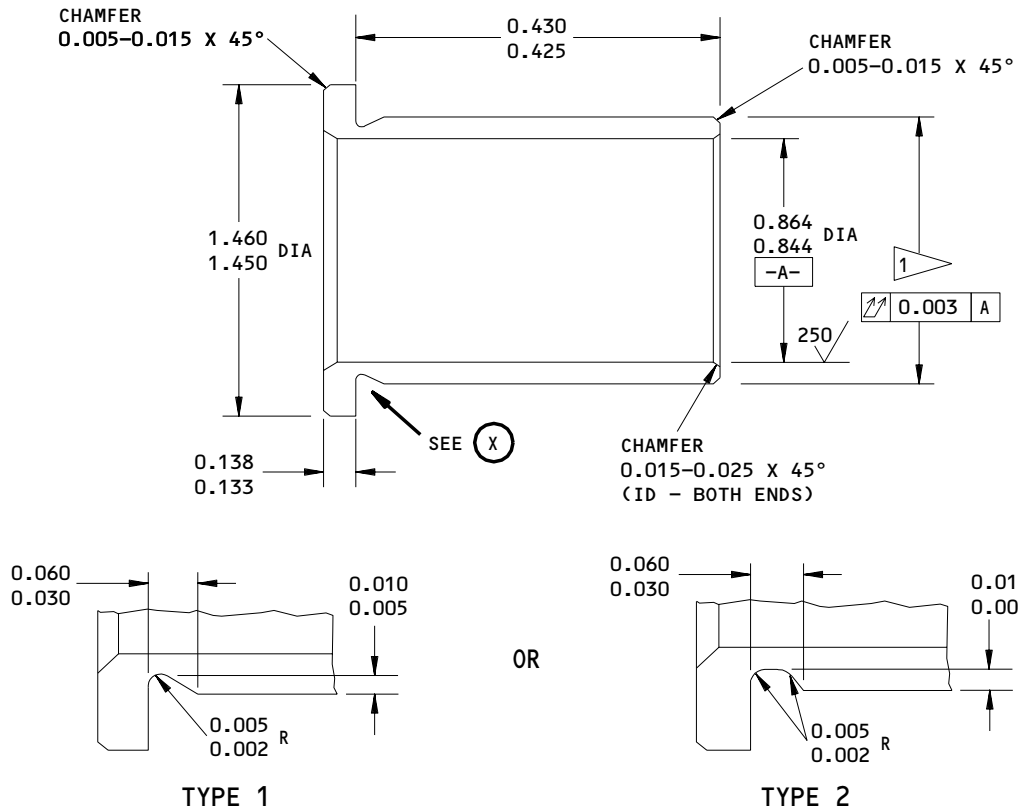
57-60-11

REPAIR 5-1

Page 604

Jul 01/03

01.1



UNDERCUT TYPE 1 OR TYPE 2 OPTIONAL

(X)

1 FINAL BUSHING OUTSIDE DIA EQUALS REPAIR DIA OF LUG HOLE PLUS 0.0007 - 0.0021 INTERFERENCE

63/ ALL MACHINED SURFACES UNLESS SHOWN DIFFERENTLY

ANGULAR TOLERANCE, ±0.50 DEG

MATERIAL: 15-5PH OR 17-4PH CRES, 180-200 KSI

FINISH: CADMIUM PLATE (F-15.06) OR ZINC-NICKEL PLATE (F-15.40). PLATING IN BORE OPTIONAL

ALL DIMENSIONS ARE IN INCHES

DIMENSIONS APPLY AFTER PLATING

REPLACES BUSHING (IPL FIG. 1; 494) OR (IPL FIG. 2; 500) BACB28AP14PO43

Oversize Bushing Details
Figure 603

57-60-11

REPAIR 5-1

01.1

Page 605

Jul 01/03

FITTING ASSEMBLY – REPAIR 6-1

113T6144-1, -2, -9, -10

NOTE: Refer to REPAIR – GENERAL for a list of applicable standard practices.
Refer to IPL Fig. 1 or 2 for item numbers, as applicable.

1. Bushing (587, IPL Fig. 1 or 525, IPL Fig. 2) Replacement

- A. Remove the old bushing.
- B. Install a replacement bushing by the shrink-fit method (SOPM 20-50-03).
- C. Machine the bushing to an ID of 0.5000-0.5007 inch concentric to OD to within 0.003 inch and a 32 microinch finish.
- D. Fillet seal the bushing flange with BMS 5-95, class B sealant.

2. Refinish

- A. Fittings (590, 593, IPL Fig. 1, or 540, 545, IPL Fig. 2) -- Chromic acid anodize and apply BMS 10-11, type 1 primer (F-18.13) and BMS 10-60, BAC707 gray gloss enamel (F-14.9813, which replaces SRF-14.9813), but no primer or enamel in holes for bushings. Material: Al alloy.

57-60-11

REPAIR 6-1

01.1

Page 601

Jul 01/03

FITTING ASSEMBLY – REPAIR 7-1

113T6146-1, -2

NOTE: Refer to REPAIR – GENERAL for a list of applicable standard practices.
Refer to IPL Fig. 1 or 2 for item numbers, as applicable.

1. Bushing (587, IPL Fig. 1 or 525, IPL Fig. 2) Replacement

- A. Remove the old bushing.
- B. Install a replacement bushing by the shrink-fit method (SOPM 20-50-03).
- C. Machine the bushing to an ID of 0.5000-0.5007 inch concentric to OD to within 0.003 inch and a 32 microinch finish.
- D. Fillet seal the bushing flange with BMS 5-95, class B sealant.

2. Refinish

- A. Fittings (IPL Fig. 1, or 540A, 545A, IPL Fig. 2) -- Chromic acid anodize and apply BMS 10-11, type 1 primer (F-18.13) and BMS 10-60, BAC707 gray gloss enamel (F-14.9813, which replaces SRF-14.9813), but no primer or enamel in holes for bushing. Material: Al alloy.

57-60-11

REPAIR 7-1

01.1

Page 601

Jul 01/03

MISCELLANEOUS PARTS - REPAIR 8-1

1. Repair of these parts is only replacement of the original finish. Refer to REPAIR - GENERAL for a list of applicable standard practices.

IPL FIG. & ITEM	MATERIAL	FINISH
<u>Fig. 1</u>		
Aileron assy (1,5)		See Fig. 602. Refinish exterior surface and edges by the operators standard color scheme with BMS 10-11, Type 2 enamel.
Panel assy (26,29,104,107) Bond assy (44,47,62,65,80,83)	Graphite/honeycomb	Prepare the surface (SRF-14.672). Apply BMS 10-79 primer (F-20.30). Apply no finish to Tedlar surfaces.
Retainer (128,134,704,707,722,725), Angle (215,218,314,315,332,335,449,452,539,542), Rib (227,230,302,305,437,440,551,554)	Aluminum alloy	Chromic acid anodize and apply BMS 10-11, Type 1 primer (F-18.13) all over.
Nose instl (122,125)		See Fig. 603.

Refinish Details
Figure 601 (Sheet 1)

IPL FIG. & ITEM	MATERIAL	FINISH
<u>Fig. 1</u> (Cont)		
Filler (200,518), Plate (626,629, 632,635,638,641), Door (625M)	Aluminum alloy	Chromic acid anodize and apply BMS 10-11, Type 1 primer (F-18.13). Apply BMS 10-60, BAC707 gray gloss enamel (F-14.9813, which replaces SRF-14.9813) all over.
Filler (194,521, 608,617,620)	Aluminum alloy	Apply BMS 10-60, BAC707 gray gloss enamel (F-14.9813, which replaces SRF-14.9813) all over.
Rib instl (674, (677)		See Fig. 604.
Rib instl (740, 743,777,780)	Aluminum alloy	Apply BMS 10-11, Type 1 yellow primer (SRF-14.995). Apply BMS 10-11, Type 2 enamel, BAC702 white gloss (F-21.03) all over.
Rib instl (816, 819)	Aluminum alloy	See Fig. 605.
Bond assy (856, 859,874,877)	Graphite/honeycomb	On outer surface and edges, prepare the surface (F-14.672, which replaces F-14.67). Apply BMS 10-79 primer (F-20.30).

Refinish Details
Figure 601 (Sheet 2)

57-60-11

REPAIR 8-1

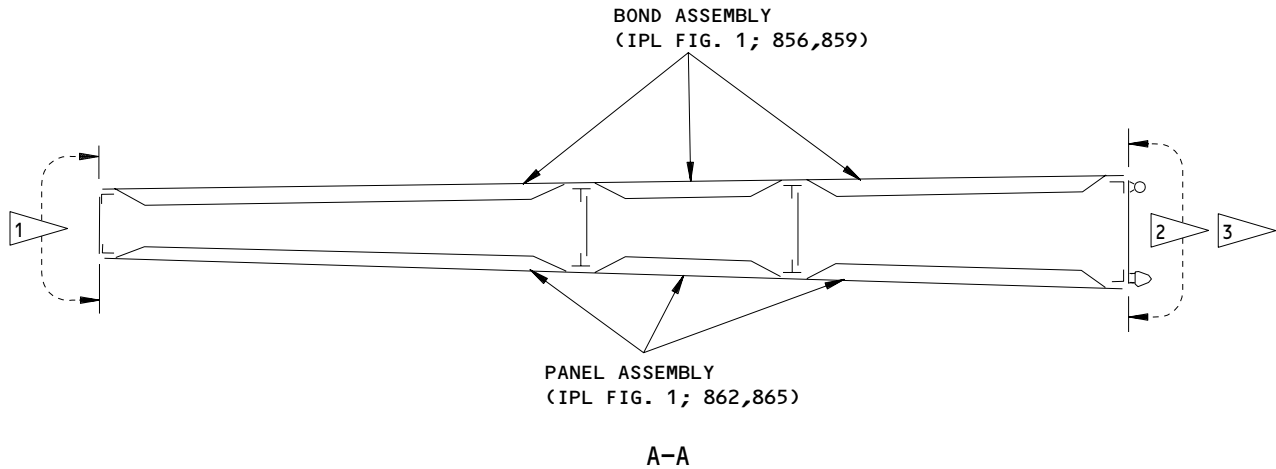
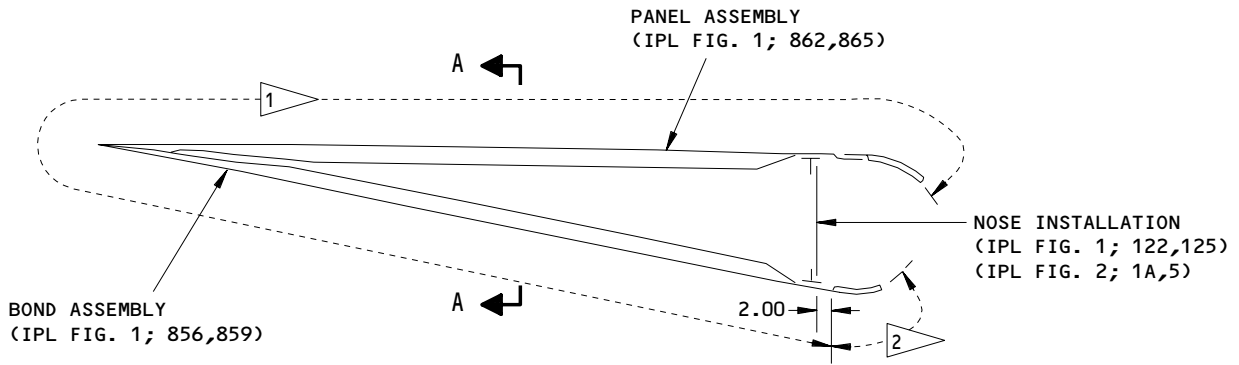
01.1

Page 602

Jul 01/03

IPL FIG. & ITEM	MATERIAL	FINISH
<p><u>Fig. 2</u></p> <p>Retainer (15,20,25) Angle (70,75) Rib (365,370,470, 475)</p> <p>Nose instl (1A,5)</p> <p>Plate (585,590,595, 600,605,610) Door (580)</p> <p>Filler (165,170, 180,185,265,270)</p>	<p>Aluminum alloy</p> <p>Aluminum alloy</p> <p>Aluminum alloy</p>	<p>Chromic acid anodize and apply BMS 10-11, Type 1 primer (F-18.13) all over.</p> <p>See Fig. 603</p> <p>Chromic acid anodize and apply BMS 10-11, Type 1 primer (F-18.13). Apply BMS 10-60, BAC707 gray gloss enamel (F-14.9813, which replaces SRF-14.9813) all over.</p> <p>Apply BMS 10-60, BAC707 gray gloss enamel (F-14.9813, which replaces SRF-14.9813) all over.</p>

Refinish Details
Figure 601 (Sheet 3)



- 1 APPLY BMS 10-60, TYPE 2 ENAMEL
(F-19.39-707,-7038,-7067 AS APPLICABLE)
- 2 APPLY BMS 10-86 TEFLON COATING
(F-14.9625, WHICH REPLACES SRF-14.9625)
- 3 BEFORE INSTALLATION OF SEALS APPLY
BMS 10-60, TYPE 2 ENAMEL
(F-19.39-707,-7308,-7067,AS APPLICABLE)

ALL DIMENSIONS ARE IN INCHES

Aileron Assembly Refinish
 Figure 602

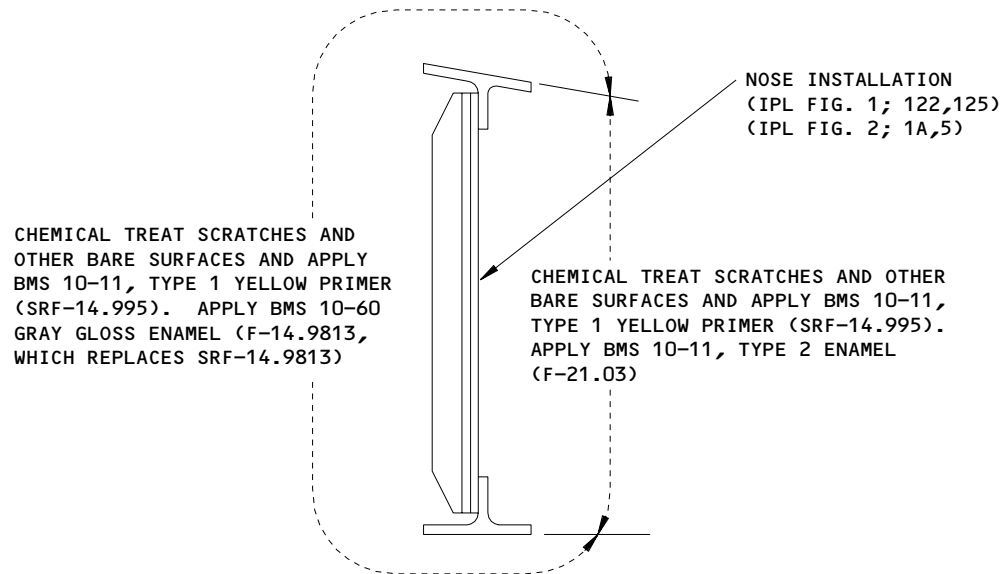
57-60-11

REPAIR 8-1

Page 604

Jul 01/03

01.1



Nose Installation Refinish
Figure 603

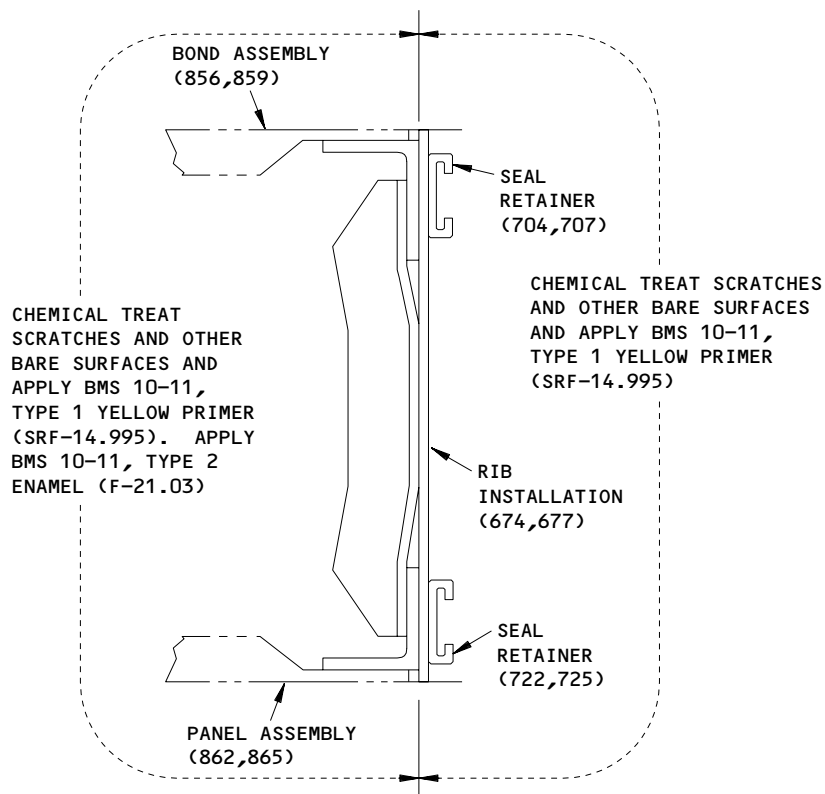
57-60-11

REPAIR 8-1

Page 605

Jul 01/03

01.1



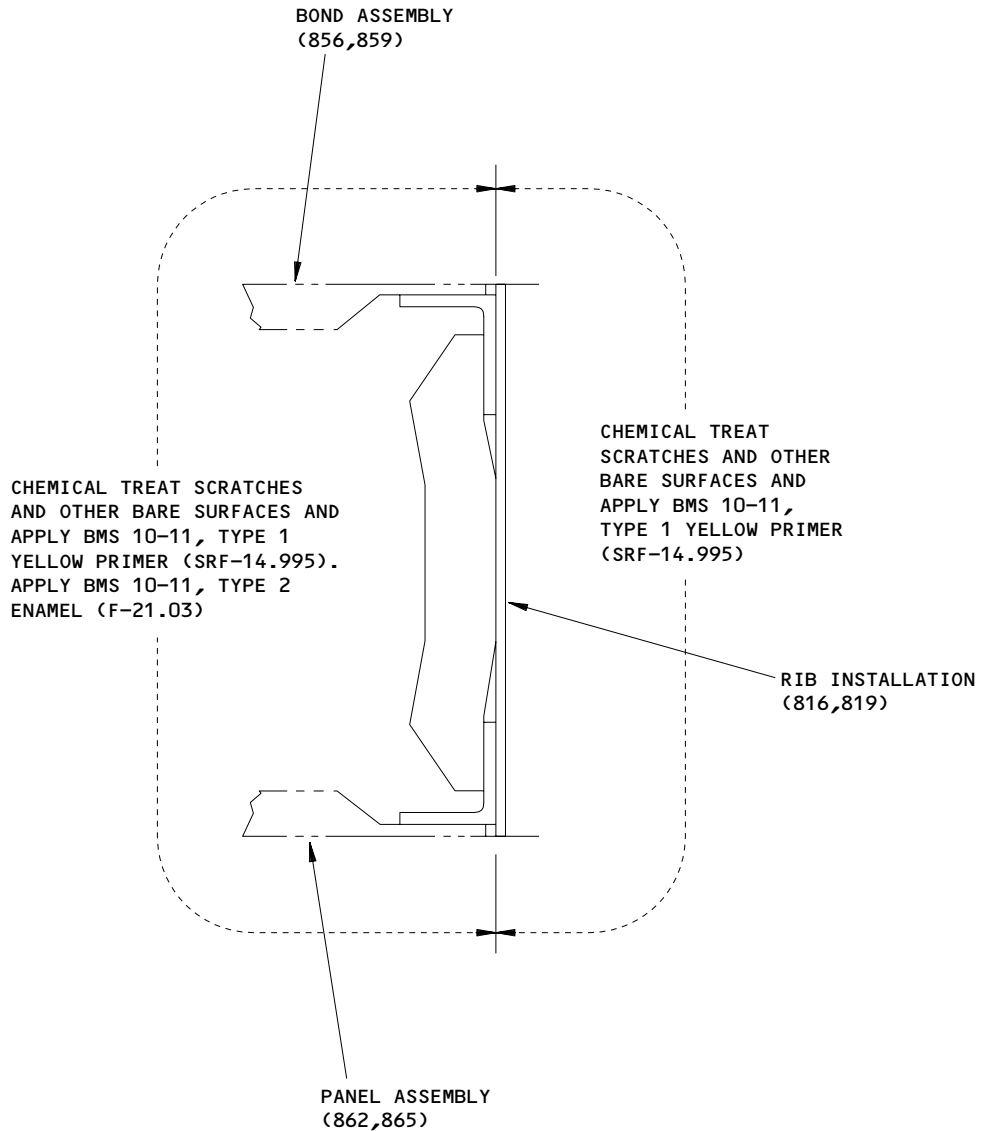
ITEM NUMBERS REFER TO IPL FIG. 1

Inboard Closure Rib Installation Refinish
 Figure 604

57-60-11

REPAIR 8-1
 Page 606
 Jul 01/03

01.1



ITEM NUMBERS REFER TO IPL FIG. 1

Outboard Closure Rib Installation Refinish
Figure 605

57-60-11

REPAIR 8-1

01.1

Page 607

Jul 01/03

ASSEMBLY

1. Materials

NOTE: Equivalent substitutes can be used.

- A. Compound -- Corrosion preventive, MIL-C-11796, class 3 (SOPM 20-60-02)
- B. Enamel -- BMS 10-60, BAC707 gray gloss (SOPM 20-60-02)
- C. Enamel -- BMS 10-60, BAC701 black gloss (SOPM 20-60-02)
- D. Grease -- BMS 3-33 or 3-24 (SOPM 20-60-03)
- E. Primer -- BMS 10-11, Type 1 (SOPM 20-60-02)
- F. Sealant -- BMS 5-95 (SOPM 20-60-04)

2. Assembly (IPL Fig. 1 unless shown differently)

CAUTION: BE SURE TO USE ONLY TITANIUM OR CORROSION RESISTANT STEEL FASTENERS WITH GRAPHITE COMPOSITES. DO NOT USE ALUMINUM OR PLATED ALLOY STEEL FASTENERS BECAUSE GALVANIC CORROSION WILL OCCUR AND DECREASE COMPONENT SERVICE LIFE.

A. Use standard industry practices and these steps.

B. If nutplates must be replaced:

- (1) Apply BMS 10-11, type 1 primer to all areas of holes for nutplates and let dry. Apply faying surface seal of BMS 5-95 sealant between the following nutplates and rib installations, and fill around the driven head of rivets (701, 774, 813) with BMS 5-95 sealant.
 - (a) Nutplate (698) and rib installation (674 or 677).
 - (b) Nutplate (771) and rib installation (740 or 743).
 - (c) Nutplates (807, 810) and rib installation (777 or 780).
- (2) Apply faying surface seal of BMS 5-95 sealant between nutplate (843) and rib installation (816 or 819), and fill around the driven head of the rivets with BMS 5-95 sealant.
- (3) Apply BMS 10-11, type 1 primer to all areas of holes for nutplate (653, IPL Fig. 1, or 565, 567, IPL Fig. 2) and let dry. Apply MIL-C-11796, class 3 corrosion preventive compound to all areas of holes for the nutplate and immediately install nutplate, with a faying surface seal of BMS 5-95 sealant between nutplate and the nose installation. Fill around the driven head of the rivets with BMS 5-95 sealant.

57-60-11

ASSEMBLY
Page 701
Jul 01/03

01.1

- (4) Apply BMS 10-11, Type 1 primer and one coat of BMS 10-60, BAC707 gray gloss enamel to all areas of holes for nutplate (659, IPL Fig. 1 or 205, 210, IPL Fig. 2) and let dry. Apply MIL-C-11796, class 3 corrosion preventive compound to all areas of holes for the nutplate and immediately install the nutplate applying faying surface seal of BMS 5-95 sealant between the nutplate and the nose installation. Fill around the driven head of the rivets with BMS 5-95 sealant.
 - (5) Apply BMS 10-11, Type 1 primer to all areas of holes for nutplates and let dry. Install nutplates (206, 209, 293, 296, 428, 431, 530, 533, 583, 589, 589G, IPL Fig. 1 and 350, 355, 360, 466, 467, 530, 535, IPL Fig. 2), and fill around the driven head of their rivets with BMS 5-95 sealant.
- C. If necessary, stencil identification numbers on the interior surface of access door (625M, IPL Fig. 1 or 580, IPL Fig. 2) as shown in Fig. 701.
- D. Delaminate shims (155, 164, 197, 251, 287, 341, 422, 485, 524, 572, 581, IPL Fig. 1; 80, 160, 175, 190, 195, 337, 457, IPL Fig. 2) as necessary to get a maximum gap of 0.005 inch between the shimmed parts. Apply BMS 10-11, Type 1 primer to the shims and install the shims wet or dry.
- E. Apply faying surface seal of BMS 5-95 sealant and fill voids between the following parts.
- (1) Identification plate (14) and mating structure.
 - (2) Panel assemblies (26 or 29, 104 or 107) and panel assembly (862 or 865, IPL Fig. 1).
 - (3) Angles (215 or 218, 539 or 542) and ribs (227 or 230, 551 or 554, IPL Fig. 1).

57-60-11

ASSEMBLY
Page 702
Jul 01/03

01.1

- (4) Angles (70 or 75, IPL Fig. 2) and fittings (395, 400, 420, 425, IPL Fig. 2).
- (5) Rib assemblies (266 or 269, 401, 404, IPL Fig. 1; 340, 345, 460, 465, IPL Fig. 2) and nose installation (122 or 125, IPL Fig. 1; 1A or 5, IPL Fig. 2).
- (6) Fillers (605, 608, 617, 620, 692, 713, 731, 837, IPL Fig. 1; 165, 170, 180, 185, 265, 270, IPL Fig. 2) and mating structure.
- (7) Plate (632, 635, IPL Fig. 1; 595, 600, IPL Fig. 2) and mating structure.
- (8) Rib installations (674 or 677, 740 or 743, 777 or 780, 816 or 819) and bond assembly (856 or 859) and also panel assembly (862 or 865), (IPL Fig. 1).
- (9) Seal retainers (704 or 707, 722 or 725) and rib installation (674 or 677) (IPL Fig. 1).
- (10) Seal retainers (128A, 134A, IPL Fig. 1; 15, 20, 25, IPL Fig. 2) and fittings (173, 176, IPL Fig. 1; 295, 300, IPL Fig. 2).
- F. Apply faying surface seal of BMS 5-95 sealant on the interface between bond assembly (856 or 859) and panel assembly (862 or 865). Make the seal 4.00-4.30 inches wide measured from edge of panels inward. Fill around the driven head of rivet (853) with BMS 5-95 sealant as an aerodynamic smoother.
- G. Apply BMS 10-11, Type 1 primer to all areas of holes and their countersinks and let dry. Apply BMS 5-95 sealant to bolts (680, 686, 689, 744, 745, 747, 753, 756, 759, 765, 781, 782, 784, 789, 792, 795, 801) and install collars (683, 695, 746, 750, 762, 768, 783, 786, 798, 804) with BMS 5-95 sealant.
- H. Apply MIL-C-11796, class 3 corrosion preventive compound to all areas of the hole and its countersink, and immediately install bolts (50, 68, 86).
- I. Apply BMS 5-95 sealant to bolts (32, 35, 38, 110, 113, 116, 221, 338, 545, 602, 614, 825, 831, 834) and install collars (41, 119, 224, 344, 548, 611, 623, 828, 840) with BMS 5-95 sealant (IPL Fig. 1).
- J. Apply BMS sealant to bolts (90, 110, 135, 215, 220, 230, 235, 250, IPL Fig. 2) and install collars (100, 125, 145, IPL Fig. 2) and nuts or nutplates (205, 210, 245, 260, IPL Fig. 2) with BMS 5-95 sealant.
- K. Fillet seal the interface between plate (632 or 635) and panel assembly (862 or 865) under rib assemblies (266 or 269, 401 or 404) with BMS 5-95 sealant, then fill the remaining gap with BMS 5-95 sealant.

57-60-11

ASSEMBLY
Page 703
Jul 01/03

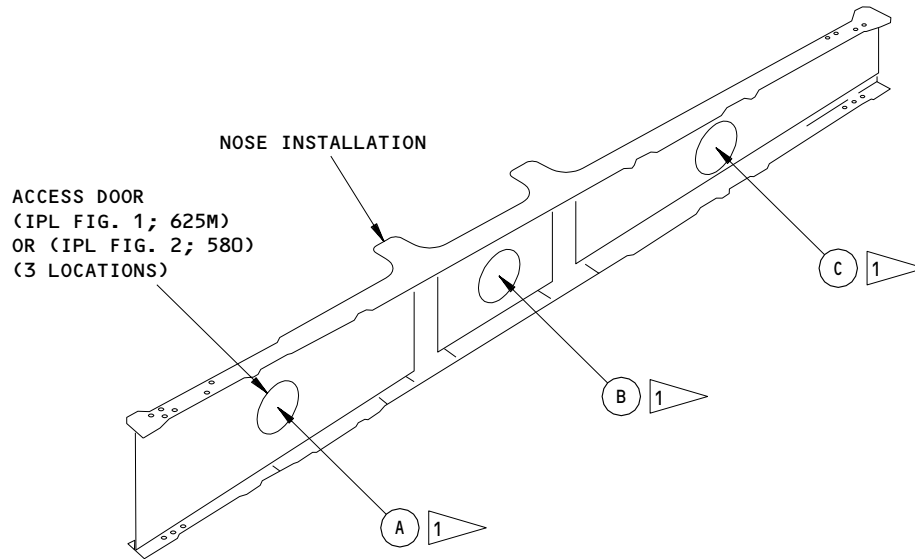
01.1

- L. Apply BMS 10-11, Type 1 primer to holes before you install lockwire. Lockwire seals (8, 11, IPL Fig. 1), and fill holes in seal retainers (128, 134, IPL Fig. 1; 15, 20, IPL Fig. 2), with BMS 5-95 sealant after lockwire installation.
- M. Fill all voids around the edges of structure with BMS 5-95 sealant.
- N. Fill void aft of drain holes in panel (862 or 865) with BMS 5-95 sealant.
- O. When you use the hoist fitting, remove bolt (850). After you remove the hoist fitting, apply grease to the bolt and the hole to fill all of the joint, then install the bolt.

57-60-11

ASSEMBLY
Page 704
Jul 01/03

01.1



NOSE INSTALLATION		ACCESS DOOR LOCATION		
IPL FIG. 1	IPL FIG. 2	(A)	(B)	(C)
122	1A	556DZ	556EZ	556FZ
125	5	656DZ	656EZ	656FZ

TABLE A

1 STENCIL MARKING ON EACH DOOR AS SHOWN BY TABLE A, WITH 0.05-INCH CHARACTERS AND BMS 10-11 BLACK GLOSS ENAMEL (F-21.28-701)

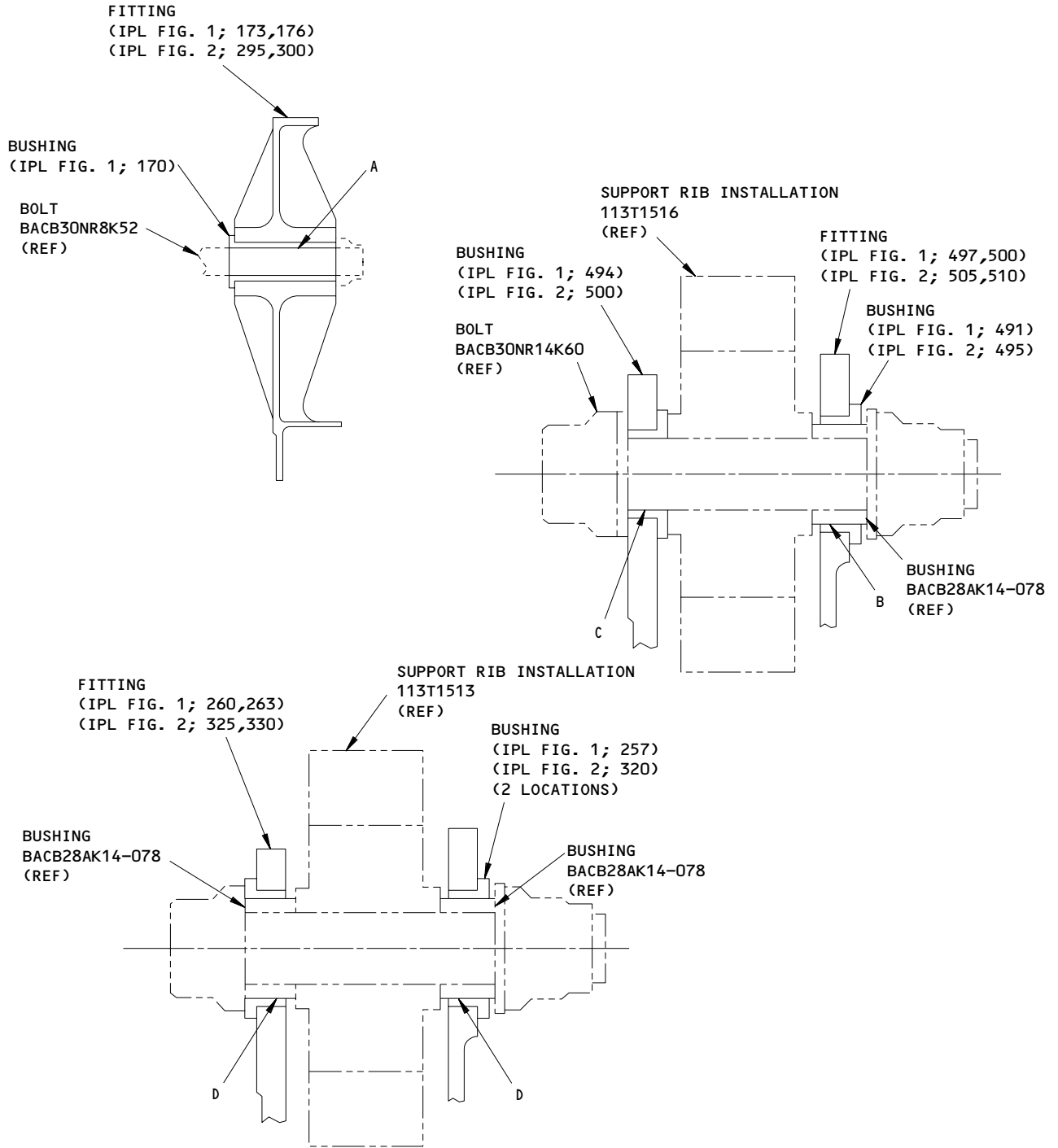
Stenciling of Access Doors
Figure 701

57-60-11

ASSEMBLY
Page 705
Jul 01/03

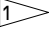
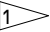
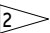
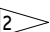




01.1

FITS AND CLEARANCES

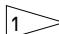
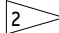
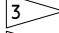
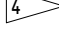


Fits and Clearances
Figure 801 (Sheet 1)

57-60-11

REF LETTER	REF IPL		DESIGN DIMENSION*				SERVICE WEAR LIMIT*		
	FIG. NO.	MATING ITEM NO.	DIMENSION		ASSEMBLY CLEARANCE		DIMENSION		MAXIMUM CLEARANCE
			MIN	MAX	MIN	MAX	MIN	MAX	
A	1	ID 170	0.5000	0.5007	0.0005	0.0022	0.4957	0.5045	0.0050
	-	OD 	0.4985	0.4995					
A	2	ID 282	0.5000	0.5007	0.0005	0.0022	0.4957	0.5045	0.0050
	-	OD 	0.4985	0.4995					
B	1	ID 491	1.1870	1.1878	0.0005	0.0023	1.1808	1.1935	0.0070
	-	OD 	1.1855	1.1865					
B	2	ID 495	1.1870	1.1878	0.0005	0.0023	1.1808	1.1935	0.0070
	-	OD 	1.1855	1.1865					
C	1	ID 494	0.8745	0.8753	0.0005	0.0023	0.8695	0.8798	0.0058
	-	OD 	0.8730	0.8740					
C	2	ID 500	0.8745	0.8753	0.0005	0.0023	0.8695	0.8798	0.0058
	-	OD 	0.8730	0.8740					
D	1	ID 257	1.1870	1.1878	0.0005	0.0023	1.1808	1.1935	0.0070
	-	OD 	1.1855	1.1865					
D	2	ID 320	1.1870	1.1878	0.0005	0.0023	1.1808	1.1935	0.0070
	-	OD 	1.1855	1.1865					

* ALL DIMENSIONS ARE IN INCHES

-  INSTALLATION BOLT BACB30NR8K52
-  INSTALLATION BUSHING BACB28AK14-078
-  INSTALLATION BOLT BACB30NR14K60
-  INSTALLATION BUSHING BACB28AK14-078

Fits and Clearances
 Figure 801 (Sheet 2)

57-60-11

FITS AND CLEARANCES
 01.1 Page 802
 Jul 01/03

ILLUSTRATED PARTS LIST

1. This section lists and illustrates replaceable or repairable component parts. The Illustrated Parts Catalog contains a complete explanation of the Boeing part numbering system.

2. Indentures show parts relationships as follows:

Assembly

Detail Parts for Assembly

Subassembly

Attaching Parts for Subassembly

Detail Parts for Subassembly

Detail Installation Parts (Included only if installation parts may be returned to shop as part of assembly)

3. One use code letter (A, B, C, etc.) is assigned in the EFF CODE column for each variation of top assembly. All listed parts are used on all top assemblies except when limitations are shown by use code letter opposite individual part entries.

4. Letter suffixes (alpha-variants) are added to item numbers for optional parts, Service Bulletin modification parts, configuration differences (except left- and right-hand parts), product improvement parts, and parts added between two sequential item numbers. The alpha-variant is not shown on illustrations when appearance and location of all variants of the part is the same.

5. Service Bulletin modifications are shown by the notations PRE SB XXXX and POST SB XXXX.

A. When a new top assembly part number is assigned by Service Bulletin, the notations appear at the top assembly level only. The configuration differences at detail part level are then shown by use code letter.

B. When the top assembly part number is not changed by the Service Bulletin, the notations appear at the detail part level.

6. Parts Interchangeability

Optional
(OPT)

The parts are optional to and interchangeable with other parts having the same item number.

Supersedes, Superseded By
(SUPSDS, SUPSD BY)

The part supersedes and is not interchangeable with the original part.

Replaces, Replaced By
(REPLS, REPLD BY)

The part replaces and is interchangeable with, or is an alternate to, the original part.

7. Boeing Proprietary Color-Coded Parts

- A. Some of the color-coded parts are identified with an alpha "SP" suffix. Others have letter suffixes. These entries identify parts that come in different colors. When you make an order for a color-coded part, be sure to include the registry number of the airplane for which the parts are ordered.

57-60-11

ILLUSTRATED PARTS LIST
01.1 Page 1002
Jul 01/03

VENDORS

OPTK6 SPS TECHNOLOGIES INC AEROSPACE PRODUCTS DIV
5195 W 4700 SPO BOX 18459
KEARNS, UTAH 84118

06725 AIR INDUSTRIES CORPORATION
12570 KNOTT STREET
GARDEN GROVE, CALIFORNIA 92641-3932
FORMERLY AIR INDUSTRIES OF CALIF IN GARDENA, CALIF.

08524 DEUTSCH FASTENER CORP SEE CODE V97928

11815 CHERRY AEROSPACE FASTENERS DIV OF TEXTRON
1224 EAST WARNER AVENUE PO BOX 2157
SANTA ANA, CALIFORNIA 92707-0157
FORMERLY IN LOS ANGELES, CALIF , FORMERLY CHERRY FASTENERS
TOWNSEND DIV OF TEXTRON INC V71087

15653 FAIRCHILD FASTENERS KAYNAR PRODUCTS DIV
800 S STATE COLLEGE BLVD
FULLERTON, CALIFORNIA 92831-3001
FORMERLY VK6405 MICRODOT AEROSP LTD; FORMERLY KAYNAR TECH
KAYNAR DIV

5M902 FAIRCHILD IND INC FAIRCHILD AEROSPACE FASTENER DIV
3016 W LOMITA BLVD
TORRANCE, CALIFORNIA 90505-5103
FMLY IN REDONDO BEACH, CALIF

52828 REPUBLIC FASTENER MFG CORP
1300 RANCHO CONEJO BLVD
NEWBURY PARK, CALIFORNIA 91320-1405
FORMERLY IN SYLMAR, CALIFORNIA

57-60-11

ILLUSTRATED PARTS LIST
01.1 Page 1003
Jul 01/03

VENDORS

53551 ALLFAST FASTENING SYSTEMS INC
15200 EAST DON JULIAN ROAD PO BOX 3166
CITY OF INDUSTRY, CALIFORNIA 91745-1001
FORMERLY V0736B
FORMERLY ALLFAST INC V5K545

56878 SPS TECHNOLOGIES INC AEROSPACE AND INDUSTRIAL PRODUCTS DIV
HIGHLAND AVENUE
JENKINTOWN, PENNSYLVANIA 19046
FORMERLY STANDARD PRESSED STEEL

60516 WEST COAST AEROSPACE INC
812 MIRAFLORES STREET
SAN PEDRO, CALIFORNIA 90731-1439

72962 HARVARD INDUSTRIES INC
3 WERNER WAY SUITE 210
LEBANON, NEW JERSEY 08833
FORMERLY AMERACE CORP ESNA DIV
FORMERLY ELASTIC STOP NUT IN UNION, NJ

73197 HI-SHEAR TECHNOLOGY CORP
2600 SKYPARK DRIVE
TORRANCE, CALIFORNIA 90509

80539 SPS TECHNOLOGIES INC AEROSPACE PRODUCTS DIV
2701 SOUTH HARBOR BOULEVARD PO BOX 1259
SANTA ANA, CALIFORNIA 92702-1259
FORMERLY NUTT-SHEL DIV OF SPC WESTERN CO V80539
AND STANDARD PRESSED STEEL WESTERN DIV V17279

92215 FAIRCHILD IND INC FAIRCHILD AEROSPACE FASTENER DIV
3010 W LOMITA BLVD
TORRANCE, CALIFORNIA 90505-5102
FORMERLY VOI-SHAN IN CULVER CITY, CALIF

57-60-11

ILLUSTRATED PARTS LIST
01.1 Page 1004
Jul 01/03

113T6100
113T6002

 **BOEING**
COMPONENT
MAINTENANCE MANUAL

VENDORS

97928	HUCK INTL SEE V17446 HUCK INTL SEE V17446 HUCK INTL
98996	OLYMPIA FASTENING INV SEE V53551

57-60-11

ILLUSTRATED PARTS LIST
01.1 Page 1005
Jul 01/03

PART NUMBER	AIRLINE PART NO.	FIG.	ITEM	TTL REQ
AF5141-3-3		1	871	58
		1	873	100
AN960PD10L		1	625W	36
AN960PD516		1	361A	16
BACB28AM19B045A		1	766	2
		1	802	2
		2	95	16
		1	257	2
		1	491	1
BACB28AM22B060A		2	320	2
		2	495	1
		1	365	2
		1	392	2
BACB28AP08P178		2	405	2
		2	430	2
		1	587	1
BACB28AP08P229		2	525	1
		1	170	1
BACB28AP14P043		2	282	1
		1	494	1
BACB28AP16P058		2	500	1
		1	362	2
		1	389	2
		2	407	2
		2	435	2
BACB30FM6A		1	318	1
		1	354	2
		1	381	2
		1	456	1
BACB30FM6A3		2	60	4
		1	222	1
BACB30FM6A4		1	546	1
		1	744G	2
BACB30LR4-5		1	781G	2
		1	50	2
		1	68	2
		1	86	2
		1	120	2

57-60-11

 ILLUSTRATED PARTS LIST
 01.1 Page 1006
 Jul 01/03

PART NUMBER	AIRLINE PART NO.	FIG.	ITEM	TTL REQ
BACB30MY6		1	354G	4
BACB30MY6K		1	149	2
		1	188	2
		1	275	2
		1	317	6
		1	338	32
		1	381G	3
BACB30MY6K		1	410	2
		1	455	5
		1	512	3
		1	566	2
		2	35	47
BACB30MY6K3		1	221	6
		1	545	6
BACB30MY6K4		1	744	4
		1	781	3
BACB30MY6K6		1	745	4
		1	782	4
BACB30MY8K		1	242	8
		1	479	8
		2	40	16
BACB30NM3K4		1	625R	36
		2	550	36
BACB30NN3K4		1	56A	11
		1	74A	19
		1	92A	11
		1	121	56
BACB30NU3K4		1	697	42
		1	770	48
		1	806	48
		1	842A	33
		2	220	30
BACB30NU3K5		2	235	2
BACB30NU4K4		1	687	1
		1	776G	2
		1	815G	2
		1	851	1
		2	215	2

57-60-11

ILLUSTRATED PARTS LIST
01.1 Page 1007
Jul 01/03

PART NUMBER	AIRLINE PART NO.	FIG.	ITEM	TTL REQ
BACB30NU4K5		1	690	3
		1	776	2
		1	815	2
		1	850	5
		1	851A	3
		2	225	26
BACB30NU4K7		1	775J	2
		1	814J	2
		2	230	8
BACB30NU5K11		2	250	4
		1	775	10
		1	814	10
BACB30NU5K8		1	765A	2
		1	801B	2
BACB30NU5K9		1	356A	16
		2	90A	16
BACB30NW10K11		1	624	24
BACB30NW10K8		1	765	2
		1	801	2
BACB30NW10K9		1	356	16
		1	383	16
		2	90	16
BACB30NW6K		1	152	1
		1	191	5
		1	278	1
		1	413	1
		1	515	6
		1	569	1
		1	602	119
		2	110	93
BACB30NW6K3		1	32	2
		1	110	2
BACB30NW6K4		1	35	8
		1	113	9
		1	680	42
		1	747	56
		1	784	41
		1	825	33

57-60-11

 ILLUSTRATED PARTS LIST
 01.1 Page 1008
 Jul 01/03

PART NUMBER	AIRLINE PART NO.	FIG.	ITEM	TTL REQ
BACB30NW6K5		1	38	2
		1	116	2
		1	716	7
		1	734	7
		1	734	7
BACB30NW8K		1	161	4
		1	248	8
		1	284	5
		1	326	1
		1	419	2
		1	464	1
		1	482	8
		1	578	4
		1	614	126
		2	135	116
BACB30NW8K4		1	686	1
		1	753	2
		1	789	2
		1	831	1
BACB30NW8K5		1	689	3
		1	756	2
		1	792	2
BACB30NW8K5		1	834	5
BACB30NW8K7		1	759	2
		1	795	2
BACB30NZ10K10		1	356B	16
		2	90B	16
BACB30NZ10K8		1	765B	2
		1	801C	2
BACB30NZ6K		2	110A	93
BACB30NZ6K4		1	680A	42
		1	747A	52
		1	784A	39
		1	825A	33
		1	747B	4
BACB30NZ6K5		1	747B	4
		1	784B	2
BACB30NZ8K		2	135A	116
BACB30NZ8K4		1	686A	1
		1	831A	1
BACB30NZ8K5		1	689A	3
		1	760	4
		1	796	4
		1	834A	5
		1	761	2
BACB30NZ8K7		1	761	2
		1	797	2

57-60-11

ILLUSTRATED PARTS LIST
01.1 Page 1009
Jul 01/03

PART NUMBER	AIRLINE PART NO.	FIG.	ITEM	TTL REQ
BACB30UR3K4		1	697A	42
		1	770A	48
		1	806A	48
		2	220A	30
BACB30UR3K5		2	235A	2
BACB30UR4K4		1	687A	1
		1	776F	2
		1	815F	2
		2	215A	2
BACB30UR4K5		1	690A	3
		1	776A	2
		1	815A	2
		1	850A	3
		2	225A	26
BACB30UR4K7		1	775K	2
		1	814K	2
		2	230A	8
		2	250A	4
BACB30VF3K4		2	220B	30
BACB30VF3K5		2	235B	2
BACB30VF4K4		2	215B	2
BACB30VF4K5		2	225B	26
BACB30VF4K7		2	230B	8
		2	250B	4
		1	360	16
BACC30AB10C		1	387	16
		1	625G	24
		1	769	2
		1	805A	2
		2	100B	16

57-60-11

 ILLUSTRATED PARTS LIST
 01.1 Page 1010
 Jul 01/03

PART NUMBER	AIRLINE PART NO.	FIG.	ITEM	TTL REQ
BACC30AB6C		1	159	3
		1	204	14
		1	282	3
		1	324	7
		1	345	32
		1	355G	2
		1	382G	5
		1	417	4
		1	462	6
		1	528	9
		1	576	3
		1	612	119
		1	684	42
		1	720	7
		1	738	7
		1	746G	8
		1	751	56
		1	787	41
		1	829	33
	BACC30AB8C		2	125A
		1	168	4
		1	255	16
		1	291	5
		1	330	1
		1	426A	2
		1	468	1
		1	489	16
		1	585	8
		1	623E	126
		1	763	6
		1	799A	6
		1	841	6
	2	145A	116	

57-60-11

ILLUSTRATED PARTS LIST
01.1 Page 1011
Jul 01/03

PART NUMBER	AIRLINE PART NO.	FIG.	ITEM	TTL REQ
BACC30M10		1	359	16
		1	386	16
		1	625	24
		1	768	2
BACC30M10		1	804	2
		2	100	16
BACC30M6		1	41	12
		1	119	13
		1	158	3
		1	203	8
		1	224	7
		1	281	3
		1	323	7
		1	344	32
		1	355	6
		1	382	5
		1	416	4
		1	461	6
		1	527	9
		1	548	7
		1	575	3
		1	611	119
		1	683	42
		1	719	7
		1	737	7
		1	744H	2
1	746	8		
1	750	56		
1	783	9		
1	786	41		
1	828	33		
2	50	47		
2	65	4		
2	125	93		

57-60-11

 ILLUSTRATED PARTS LIST
 01.1 Page 1012
 Jul 01/03

PART NUMBER	AIRLINE PART NO.	FIG.	ITEM	TTL REQ
BACC30M8		1	167	4
		1	254	16
		1	290	5
		1	329	1
		1	425	2
		1	467	1
		1	488	16
		1	584	4
		1	623	126
		1	695	4
		1	762	6
		1	798	6
		1	840	6
		2	55	16
		2	145	116
	BACF3T01F05-07		2	170
		2	265	4
BACF3T01F05-18		2	165	2
		2	270	2
BACF3T01F5-18		1	608	4
BACF3T01F5-7		1	605	8
BACF3T01F8G8		1	692	4
		1	713	1
		1	731	1
		1	837	4
BACF3T02G07-09		2	180	16
BACF3T02G07-24		2	185	8
BACF3T02G7-24		1	620	8
BACF3T02G7-9		1	617	16
BACF3T02H8-10		1	194	2
		1	521	2
BACN10JC3CD		2	245	2
BACN10JC4CD		2	260	4
BACN10JC5CD		1	361N	16
		1	767	2
		1	803	2
		2	100A	16
BACN10JF32CD		2	535A	3
BACN10JQ32CD		1	653A	24
		1	698	42
		1	771	48
		1	807	48
		1	843	33
		1	868A	29

57-60-11

ILLUSTRATED PARTS LIST
01.1 Page 1013
Jul 01/03

PART NUMBER	AIRLINE PART NO.	FIG.	ITEM	TTL REQ
BACN10JQ33CD		1	209	2
		1	296	2
		1	308	2
		1	431	2
		1	443	2
		1	533	2
		1	654	12
		2	360	2
BACN10JQ42CD		1	659	4
		1	696	4
		1	776K	6
		1	815H	6
		1	852	4
BACN10JQ43CD		1	206	1
		1	293	1
		1	309	1
BACN10JQ43CD		1	428	1
		1	444	1
		1	530	1
		1	810	1
		2	355	1
BACN10JQ52CD		1	775G	10
		1	814G	10
BACN10JR3CFD		1	869	50
BACN10YF32CD		1	172	4
		1	589G	3
		2	205	30
		2	290	4
		2	565	24

57-60-11

 ILLUSTRATED PARTS LIST
 01.1 Page 1014
 Jul 01/03

PART NUMBER	AIRLINE PART NO.	FIG.	ITEM	TTL REQ
BACN10YF33CD		2	467	2
		2	567	12
BACN10YF42CD		2	210	36
BACN10YF43CD		2	468	1
BACR15BA3AD		1	171	8
		1	212	6
		1	299	6
		1	311	6
		1	434	6
		1	446	6
		1	536	6
		1	589	6
		1	656	72
		1	662	8
		1	696G	8
		1	701	84
		1	774	96
		1	776J	12
		1	813	98
		1	815J	12
		1	847	66
		1	852G	8
		2	200	132
		2	285	8
		2	350	6
		2	466	6
		2	530	6
		2	560	72
BACR15BA4AD		1	775H	20
		1	814H	20
BACR15BA6KE		1	131	3
		1	137	4
BACR15BA6KE		1	710	42
		1	728	48
		2	10	8

57-60-11

ILLUSTRATED PARTS LIST
01.1 Page 1015
Jul 01/03

PART NUMBER	AIRLINE PART NO.	FIG.	ITEM	TTL REQ
BACR15BB3AD		1	17	4
BACR15CE6KE		1	822	6
BACR15DR3A3		1	871	58
		1	873	100
BACR15FT6KE		1	146	10
		1	185	9
		1	239	16
		1	272	8
		1	353	6
		1	380	5
		1	407	6
		1	476	12
		1	509	6
		1	563	5
		1	679	10
		2	30	68
BACR15GA6-7		1	853A	54
BACS40R007E015F		2	80	8
BACS40R009B031F		2	175	2
BACS40R010B010F		2	195	2
BACS40R010B019F		2	160	2
BACS40R011B055F		2	190	2
BACS40R07E15F		1	341	8
BACS40R09B31F		1	155	1
		1	572	1
BACS40R10B10F		1	197	1
		1	287	1
		1	422	1
		1	524	1
BACS40R10B19F		1	164	1
		1	581	1
BACS40R11B55F		1	251	1
		1	485	1
BACW10BP3NDP		1	160	3
		1	205	14
		1	283	3
		1	325	7
		1	346	32
		1	355K	2
		1	382K	5
		1	418	4
		1	463	6

57-60-11

 ILLUSTRATED PARTS LIST
 01.1 Page 1016
 Jul 01/03

PART NUMBER	AIRLINE PART NO.	FIG.	ITEM	TTL REQ	
BACW10BP3NDP		1	529	9	
		1	577	3	
		1	613	119	
		1	685	42	
		1	721	7	
		1	739	7	
		1	746H	8	
		1	752	56	
		1	788	41	
		1	800A	6	
		1	830	33	
		2	120	93	
	BACW10BP4NDP		1	169	4
			1	256	16
		1	292	5	
		1	331	1	
		1	427	2	
		1	469	1	
		1	490	16	
		1	586	4	
		1	623H	126	
		1	764	6	
BACW10BP5DP		1	842	6	
		2	140	116	
		1	361	16	
		1	388	16	
		1	625H	24	
		1	769A	2	
		1	805H	2	
BACW10UC416P		2	95A	16	
		1	53	2	
		1	71	2	
		1	89	2	
BRF200C3D		1	120G	2	
		1	869	50	

57-60-11

ILLUSTRATED PARTS LIST
01.1 Page 1017
Jul 01/03

PART NUMBER	AIRLINE PART NO.	FIG.	ITEM	TTL REQ
BRH10C3D		2	245	2
BRH10C4D		2	260	4
BRH10C5D		1	361N	16
		1	767	2
		1	803	2
		2	100A	16
B30MY6K3		1	221	6
		1	545	6
B30MY6K4		1	744	4
		1	781	3
B30NW10K11		1	624	24
B30NW10K8		1	765	2
		1	801	2
B30NW10K9		1	356	16
		1	383	16
		2	90	16
B30NW6K3		1	32	2
		1	110	2
B30NW6K4		1	35	8
		1	113	9
		1	680	42
		1	747	56
		1	784	41
		1	825	33
B30NW6K5		1	38	2
		1	116	2
		1	716	7
		1	734	7
B30NW8K4		1	686	1
		1	753	2
		1	789	2
		1	831	1
B30NW8K5		1	689	3
		1	756	2
		1	792	2
		1	834	5
B30NW8K7		1	759	2
		1	795	2

57-60-11

 ILLUSTRATED PARTS LIST
 01.1 Page 1018
 Jul 01/03

PART NUMBER	AIRLINE PART NO.	FIG.	ITEM	TTL REQ
CCR264CS3-3TT		1	871	58
		1	873	100
HL10VAZ6-3		1	221	6
		1	545	6
HL10VAZ6-4		1	744	4
		1	781	3
HL10VAZ6-6		1	745	4
		1	782	4
HL11VAZ10-11		1	624	24
		1	765	2
HL11VAZ10-8		1	801	2
		1	356	16
HL11VAZ10-9		1	383	16
		2	90	16
HL11VAZ6-3		1	32	2
		1	110	2
HL11VAZ6-4		1	35	8
		1	113	9
HL11VAZ6-5		1	680	42
		1	747	56
HL11VAZ6-4		1	784	41
		1	825	33
HL11VAZ6-5		1	38	2
		1	116	2
HL11VAZ8-4		1	716	7
		1	734	7
HL11VAZ8-4		1	686	1
		1	753	2
HL11VAZ8-5		1	789	2
		1	831	1
HL11VAZ8-5		1	689	3
		1	756	2
HL11VAZ8-7		1	792	2
		1	834	5
HL11VAZ8-7		1	759	2
		1	795	2
HL11V6-4		1	35	8
		1	113	9
HL11V6-4		1	680	42
		1	747	56
HL11V6-4		1	784	41
		1	825	33

57-60-11

ILLUSTRATED PARTS LIST
01.1 Page 1019
Jul 01/03

PART NUMBER	AIRLINE PART NO.	FIG.	ITEM	TTL REQ
HL11V6-5		1	38	2
		1	116	2
		1	716	7
		1	734	7
HL18-6A		1	318	1
		1	354	2
		1	381	2
		1	456	1
HL440UC6-3		2	60	4
		1	222	1
HL440UC6-4		1	546	1
		1	744G	2
HL523AZ10-10		1	781G	2
		1	356B	16
HL523AZ10-8		2	90B	16
		1	765B	2
HL523AZ6-4		1	801C	2
		1	680A	42
		1	747A	52
		1	784A	39
HL523AZ6-5		1	825A	33
		1	747B	4
		1	784B	2
		1	686A	1
HL523AZ8-4		1	831A	1
		1	689A	3
HL523AZ8-5		1	760	4
		1	796	4
		1	834A	5
		1	761	2
HL523AZ8-7		1	797	2
		1	359	16
HL79-10		1	386	16
		1	625	24
		1	768	2
		1	804	2
		2	100	16

57-60-11

 ILLUSTRATED PARTS LIST
 01.1 Page 1020
 Jul 01/03

PART NUMBER	AIRLINE PART NO.	FIG.	ITEM	TTL REQ	
HL79-6		1	41	12	
		1	119	13	
		1	158	3	
		1	203	8	
		1	224	7	
		1	281	3	
		1	323	7	
		1	344	32	
		1	355	6	
		1	382	5	
		1	416	4	
		1	461	6	
		1	527	9	
		1	548	7	
		1	575	3	
		1	611	119	
		1	683	42	
		1	719	7	
		1	737	7	
		1	744H	2	
		1	746	8	
		1	750	56	
		1	783	9	
		1	786	41	
		1	828	33	
		2	50	47	
		2	65	4	
		2	125	93	
	HL79-8		1	167	4
			1	254	16
			1	290	5
			1	329	1
			1	425	2
		1	467	1	
		1	488	16	
		1	584	4	
		1	623	126	
		1	695	4	
		1	762	6	
		1	798	6	
		1	840	6	
		2	55	16	
		2	145	116	

57-60-11

ILLUSTRATED PARTS LIST
01.1 Page 1021
Jul 01/03

PART NUMBER	AIRLINE PART NO.	FIG.	ITEM	TTL REQ
HL97KG10		1	360	16
		1	387	16
		1	625G	24
		1	769	2
		1	805A	2
		2	100B	16
HL97KG6		1	159	3
		1	204	14
		1	282	3
HL97KG6		1	324	7
		1	345	32
		1	355G	2
		1	382G	5
		1	417	4
		1	462	6
		1	528	9
		1	576	3
		1	612	119
		1	684	42
		1	720	7
		1	738	7
		1	746G	8
		1	751	56
		1	787	41
		1	829	33
	HL97KG6 HL97KG8		2	125A
		1	168	4
		1	255	16
		1	291	5
		1	330	1
		1	426A	2
		1	468	1
		1	489	16
		1	585	8
		1	623E	126
		1	763	6
		1	799A	6
		1	841	6
	2	145A	116	

57-60-11

 ILLUSTRATED PARTS LIST
 01.1 Page 1022
 Jul 01/03

PART NUMBER	AIRLINE PART NO.	FIG.	ITEM	TTL REQ
HL97PB10		1	360	16
		1	387	16
		1	625G	24
		1	769	2
		1	805A	2
		2	100B	16
HL97PB6		1	159	3
		1	204	14
		1	282	3
		1	324	7
		1	345	32
		1	355G	2
		1	382G	5
		1	417	4
		1	462	6
		1	528	9
		1	576	3
HL97PB6		1	612	119
		1	684	42
		1	720	7
		1	738	7
		1	746G	8
		1	751	56
		1	787	41
		1	829	33
HL97PB8		2	125A	93
		1	168	4
		1	255	16
		1	291	5
		1	330	1
		1	426A	2
		1	468	1
		1	489	16

57-60-11

ILLUSTRATED PARTS LIST
01.1 Page 1023
Jul 01/03

PART NUMBER	AIRLINE PART NO.	FIG.	ITEM	TTL REQ
HL97PB8		1	585	8
		1	623E	126
		1	763	6
		1	799A	6
		1	841	6
		2	145A	116
H51650-3BAC		2	245	2
H51650-4BAC		2	260	4
H51650-5BAC		1	361N	16
		1	767	2
		1	803	2
		2	100A	16
K51602-3BAC		1	869	50
L8006K6		1	745	4
		1	782	4
L803-10K11		1	624	24
L803-10K8		1	765	2
		1	801	2
L803-10K9		1	356	16
		1	383	16
		2	90	16
L803-6-4		1	35	8
		1	113	9
		1	680	42
		1	747	56
		1	784	41
		1	825	33
L803-6-5		1	38	2
		1	116	2
		1	716	7
		1	734	7
L803-6K3		1	32	2
		1	110	2

57-60-11

 ILLUSTRATED PARTS LIST
 01.1 Page 1024
 Jul 01/03

PART NUMBER	AIRLINE PART NO.	FIG.	ITEM	TTL REQ
L803-8K4		1	686	1
		1	753	2
		1	789	2
		1	831	1
L803-8K5		1	689	3
		1	756	2
		1	792	2
		1	834	5
L803-8K7		1	759	2
		1	795	2
L804-10K10		1	356B	16
		2	90B	16
L804-10K8		1	765B	2
		1	801C	2
L804-6K4		1	680A	42
		1	747A	52
		1	784A	39
		1	825A	33
L804-6K5		1	747B	4
		1	784B	2
L804-8K4		1	686A	1
		1	831A	1
		1	689A	3
		1	760	4
L804-8K5		1	796	4
		1	834A	5
		1	761	2
		1	797	2
L804-8K7		1	318	1
		1	354	2
		1	381	2
		1	456	1
L8056A		2	60	4
		1	172	4
		1	589G	3
		2	205	30
MF51594-3-2BAC		2	290	4
		2	565	24
		2	467	2
		2	567	12
MF51594-3-3BAC		2	467	2
		2	567	12
MF51594-4-2BAC		2	210	36
MF51594-4-3BAC		2	468	1
MS27253-1		1	14	1

57-60-11

ILLUSTRATED PARTS LIST
01.1 Page 1025
Jul 01/03

PART NUMBER	AIRLINE PART NO.	FIG.	ITEM	TTL REQ
NAS1149D0316J		2	555	36
NAS1149D0363J		2	240	2
NAS1149D0463J		2	255	4
NAS1399MW6-3		1	33	1
		1	115	1
		1	193	2
		1	279	1
		1	420	1
		1	516	2
		2	155	2
NAS1399MW6-4		1	36	1
		1	114	1
		1	153	1
		1	280	1
		1	320A	1
		1	421	1
		1	458A	1
		1	570	1
		2	150	6
NS202476-02		1	869	50
NS202486-02		2	245	2
NS202486-048		2	260	4
RV541A3-3		1	871	58
		1	873	100
T6C1032JCD		2	245	2
T6C428JCD		2	260	4
T6C524JCD		1	361N	16
		1	767	2
		1	803	2
		2	100A	16
T8092C1032CD		1	869	50
WC130-6-3		1	222	1
		1	546	1
WC130-6-4		1	744G	2
		1	781G	2
102F9201-3		1	869	50
102LH9075-3W		2	245	2
102LH9075-4W		2	260	4
102LH9075-5W		1	361N	16
		1	767	2
		1	803	2
		2	100A	16
113T6002-1SP		1	1E	RF
113T6002-2SP		1	5E	RF
113T6100-11		1	853B	54
113T6100-13		1	1D	RF
113T6100-14		1	5D	RF

57-60-11

 ILLUSTRATED PARTS LIST
 01.1 Page 1026
 Jul 01/03

PART NUMBER	AIRLINE PART NO.	FIG.	ITEM	TTL REQ
113T6100-17		1	6	1
113T6100-18		1	7	1
113T6100-19		1	1F	RF
113T6100-20		1	5F	RF
113T6100-21		1	1G	RF
113T6100-22		1	5G	RF
113T6100-7SP		1	1C	RF
113T6100-8SP		1	5C	RF
113T6100-85		1	1H	RF
113T6100-86		1	5H	RF
113T6100-87G		1	1K	RF
113T6100-87H		1	1L	RF
113T6100-88G		1	5K	RF
113T6100-88H		1	5L	RF
113T6100-89G		1	1M	RF
113T6100-89H		1	1N	RF
113T6100-90G		1	5M	RF
113T6100-90H		1	5N	RF
113T6105-1		1	8	1
113T6105-2		1	11	1
113T6105-3		1	8A	1
113T6109-1		1	119G	1
113T6109-2		1	119K	1
113T6110-1		1	122	1
113T6110-10		1	599A	1
113T6110-111		2	85A	16
113T6110-112		2	105A	1
113T6110-113		2	85B	16
113T6110-114		2	130A	1
113T6110-115		2	85	16
113T6110-116		2	85C	16
113T6110-117		2	105	1
113T6110-118		2	130	1
113T6110-119		1	122E	1
		2	1C	RF
113T6110-120		1	125E	1
		2	5B	RF
113T6110-121		2	15A	1
113T6110-2		1	125	1
113T6110-25		1	626	1
		2	585	1
113T6110-26		1	629	1
113T6110-26		2	590	1
113T6110-27		1	632	1
		2	595	1
113T6110-28		1	635	1
		2	600	1

57-60-11

ILLUSTRATED PARTS LIST
01.1 Page 1027
Jul 01/03

PART NUMBER	AIRLINE PART NO.	FIG.	ITEM	TTL REQ
113T6110-3		1	122A	1
113T6110-39		1	625M	3
		2	580	3
113T6110-4		1	125A	1
113T6110-47		1	332	4
		2	70	4
113T6110-48		1	335	4
		2	75	4
113T6110-5		1	122B	1
113T6110-59		1	638	2
		2	605	2
113T6110-6		1	125B	1
113T6110-60		1	641	2
		2	610	2
113T6110-7		1	596	1
113T6110-73		1	200	3
		1	518	3
113T6110-75		1	314B	1
113T6110-76		1	315B	1
113T6110-77		1	314C	1
113T6110-78		1	315C	1
113T6110-79		1	449B	1
113T6110-8		1	599	1
113T6110-80		1	452B	1
113T6110-81		1	449C	1
113T6110-82		1	452D	1
113T6110-85		1	135	1
113T6110-86		1	135G	1
113T6110-87		1	134A	1
		2	20	1
113T6110-88		1	134G	1
		2	25	1
113T6110-9		1	596A	1
113T6110-91		1	128A	1
113T6110-91		2	15	1
113T6110-93		1	122C	1
		2	1A	RF
113T6110-94		1	125C	1
		2	5	RF
113T6110-95		1	596B	1
		2	570	1
113T6110-96		1	599B	1
		2	575	1

57-60-11

 ILLUSTRATED PARTS LIST
 01.1 Page 1028
 Jul 01/03

PART NUMBER	AIRLINE PART NO.	FIG.	ITEM	TTL REQ
113T6111-1		1	179	1
113T6111-2		1	182	1
113T6111-3		1	227	1
113T6111-4		1	230	1
113T6111-5		1	215	1
113T6111-6		1	218	1
113T6112-1		1	266	1
		2	340	1
113T6112-2		1	269	1
		2	345	1
113T6112-3		1	302	1
		2	365	1
113T6112-4		1	305	1
		2	370	1
113T6113-3		1	437	1
		2	470	1
113T6113-4		1	440	1
		2	475	1
113T6113-5		1	401A	1
		2	460	1
113T6113-6		1	404A	1
		2	465	1
113T6114-1		1	503	1
113T6114-2		1	506	1
113T6114-3		1	551	1
113T6114-4		1	554	1
113T6114-5		1	539	1
113T6114-6		1	542	1
113T6115-1		1	20	1
113T6115-2		1	23	1
113T6115-3		1	26	1
113T6115-4		1	29	1

57-60-11

ILLUSTRATED PARTS LIST
01.1 Page 1029
Jul 01/03

PART NUMBER	AIRLINE PART NO.	FIG.	ITEM	TTL REQ
113T6116-5		1	44C	1
113T6116-6		1	47C	1
113T6116-7		1	44A	1
113T6116-8		1	47A	1
113T6117-7		1	62B	1
113T6117-8		1	65B	1
113T6118-5		1	80A	1
113T6118-6		1	83A	1
113T6119-1		1	98	1
113T6119-2		1	101	1
113T6119-3		1	104	1
113T6119-4		1	107	1
113T6120-1		1	674	1
113T6120-2		1	677	1
113T6120-3		1	674A	1
113T6120-33		1	722	1
113T6120-34		1	725	1
113T6120-4		1	677A	1
113T6120-43		1	704A	1
113T6120-44		1	707C	1
113T6120-5		1	674C	1
113T6120-6		1	677C	1
113T6122-1		1	740	1
113T6122-2		1	743	1
113T6122-3		1	740A	1
113T6122-4		1	743A	1
113T6122-5		1	740C	1
113T6122-6		1	743C	1
113T6123-1		1	777	1
113T6123-2		1	780	1
113T6123-3		1	777A	1
113T6123-4		1	780A	1
113T6123-5		1	777C	1
113T6123-6		1	780C	1
113T6125-1		1	816	1

57-60-11

 ILLUSTRATED PARTS LIST
 01.1 Page 1030
 Jul 01/03

PART NUMBER	AIRLINE PART NO.	FIG.	ITEM	TTL REQ
113T6125-2		1	819	1
113T6125-3		1	816A	1
113T6125-4		1	819A	1
113T6125-5		1	816C	1
113T6125-6		1	819C	1
113T6130-1		1	862	1
113T6130-11		1	862A	1
113T6130-12		1	865A	1
113T6130-2		1	865	1
113T6130-3		1	874	1
113T6130-4		1	877	1
113T6131-1		1	856	1
113T6131-2		1	859	1
113T6131-21		1	856C	1
113T6131-22		1	859C	1
113T6131-27		1	856A	1
113T6131-28		1	859A	1
113T6140-1		1	233	1
113T6140-11		1	233C	1
		2	305	1
113T6140-12		1	236C	1
		2	310	1
113T6140-13		1	260B	1
		2	325	1
113T6140-14		1	263B	1
		2	330	1
113T6140-2		1	236	1
113T6140-3		1	233A	1
113T6140-4		1	236A	1
113T6140-5		1	260	1
113T6140-6		1	263	1

57-60-11

ILLUSTRATED PARTS LIST
01.1 Page 1031
Jul 01/03

PART NUMBER	AIRLINE PART NO.	FIG.	ITEM	TTL REQ
113T6140-7		1	260A	1
113T6140-8		1	263A	1
113T6141-1		1	374	1
113T6141-1		2	420	1
113T6141-10		1	374C	1
		2	420A	1
113T6141-11		1	377C	1
		2	425A	1
113T6141-12		1	395B	1
		2	445	1
113T6141-13		1	398B	1
		2	455	1
113T6141-2		1	377	1
		2	425	1
113T6141-3		1	395	1
		2	440	1
113T6141-4		1	398	1
		2	450	1
113T6141-5		1	374A	1
113T6141-6		1	377A	1
113T6141-7		1	395A	1
113T6141-8		1	398A	1
113T6142-1		1	347	1
		2	395	1
113T6142-10		1	347C	1
		2	395A	1
113T6142-11		1	350C	1
		2	400A	1
113T6142-12		1	368B	1
		2	410A	1
113T6142-13		1	371B	1
		2	415A	1
113T6142-2		1	350	1
		2	400	1
113T6142-3		1	368	1
		2	410	1
113T6142-4		1	371	1
		2	415	1
113T6142-5		1	347A	1
113T6142-6		1	350A	1
113T6142-7		1	368A	1
113T6142-8		1	371A	1
113T6143-1		1	470	1
		2	480	1
113T6143-2		1	473	1
		2	490	1

57-60-11

 ILLUSTRATED PARTS LIST
 01.1 Page 1032
 Jul 01/03

PART NUMBER	AIRLINE PART NO.	FIG.	ITEM	TTL REQ
113T6143-3		1	497	1
		2	505	1
113T6143-4		1	500	1
		2	510	1
113T6143-5		1	470A	1
113T6143-6		1	473A	1
113T6143-7		1	497A	1
113T6143-8		1	500A	1
113T6144-1		1	557	1
113T6144-10		1	560C	1
		2	520	1
113T6144-11		1	590B	1
		2	540	1
113T6144-12		1	593B	1
		2	545	1
113T6144-2		1	560	1
113T6144-3		1	590	1
113T6144-4		1	593	1
113T6144-9		1	557C	1
		2	515	1
113T6145-1		1	140	1
		2	275	1
113T6145-12		1	143C	1
		2	280	1
113T6145-13		1	173B	1
		2	295	1
113T6145-14		1	176B	1
		2	300	1
113T6145-2		1	143	1
113T6145-3		1	173	1
113T6145-4		1	176	1
113T6145-5		1	140A	1
113T6145-6		1	143A	1

57-60-11

ILLUSTRATED PARTS LIST
01.1 Page 1033
Jul 01/03

PART NUMBER	AIRLINE PART NO.	FIG.	ITEM	TTL REQ
113T6145-7		1	173A	1
113T6145-8		1	176A	1
113T6146-1		1	557A	1
113T6146-2		1	560A	1
113T6146-3		1	590A	1
113T6146-4		1	593A	1
66014-10		1	359	16
		1	386	16
		1	625	24
		1	768	2
		1	804	2
		2	100	16
66014-6		1	41	12
		1	119	13
		1	158	3
		1	203	8
		1	224	7
		1	281	3
		1	323	7
		1	344	32
		1	355	6
		1	382	5
		1	416	4
		1	461	6
		1	527	9
		1	548	7
		1	575	3
		1	611	119
		1	683	42
		1	719	7
		1	737	7
		1	744H	2
		1	746	8
		1	750	56
		1	783	9
		1	786	41
		1	828	33
		2	50	47
		2	65	4
		2	125	93

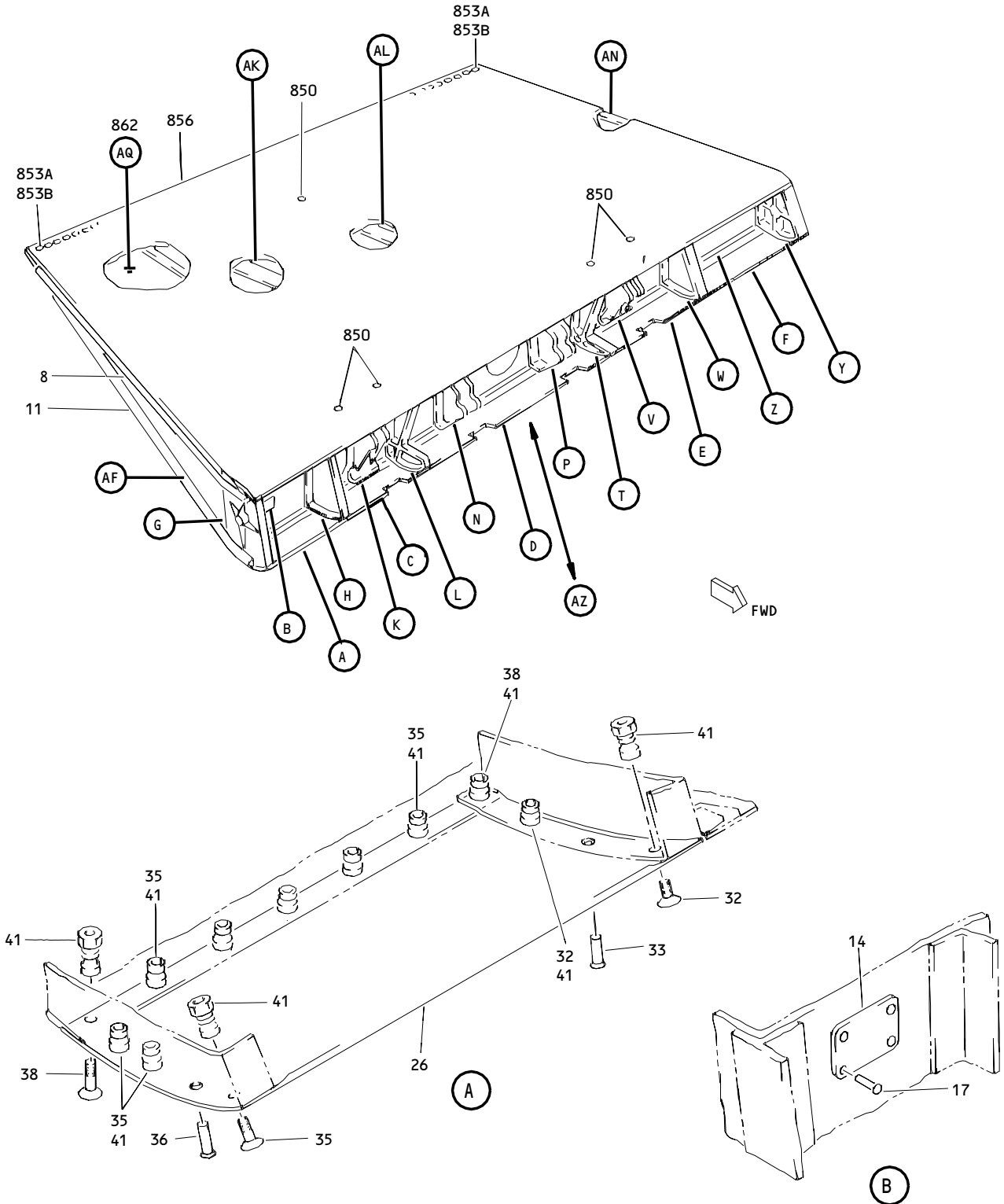
57-60-11

 ILLUSTRATED PARTS LIST
 01.1 Page 1034
 Jul 01/03

PART NUMBER	AIRLINE PART NO.	FIG.	ITEM	TTL REQ		
66014-8		1	167	4		
		1	254	16		
		1	290	5		
		1	329	1		
		1	425	2		
		1	467	1		
		1	488	16		
		1	584	4		
		1	623	126		
		66014-8		1	695	4
				1	762	6
				1	798	6
				1	840	6
2	55			16		
2	145			116		
67067-6A3		1	222	1		
		1	546	1		
67067-6A4		1	744G	2		
		1	781G	2		

57-60-11

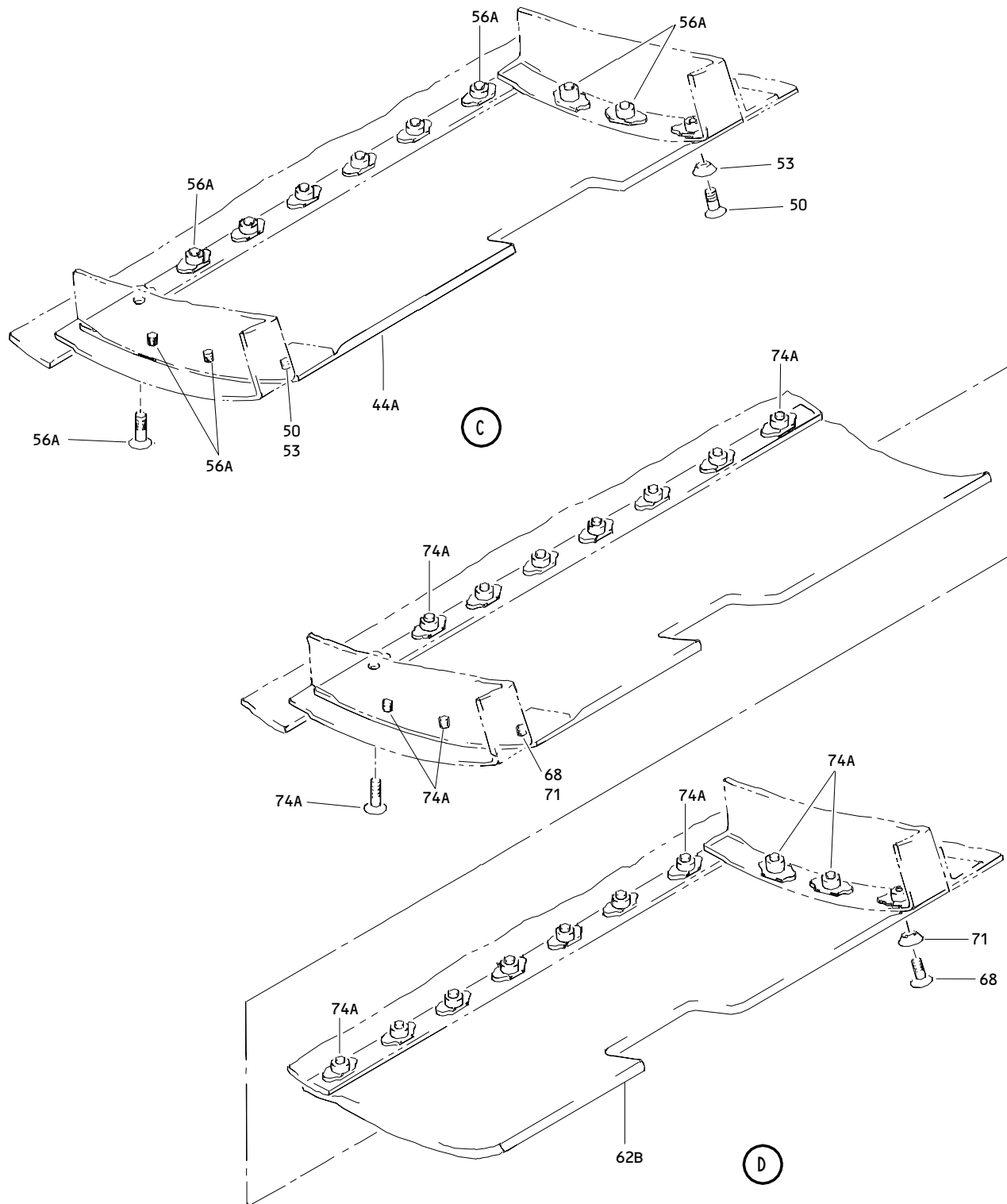
ILLUSTRATED PARTS LIST
01.1 Page 1035
Jul 01/03



Inboard Aileron Assembly
Figure 1 (Sheet 1)

57-60-11

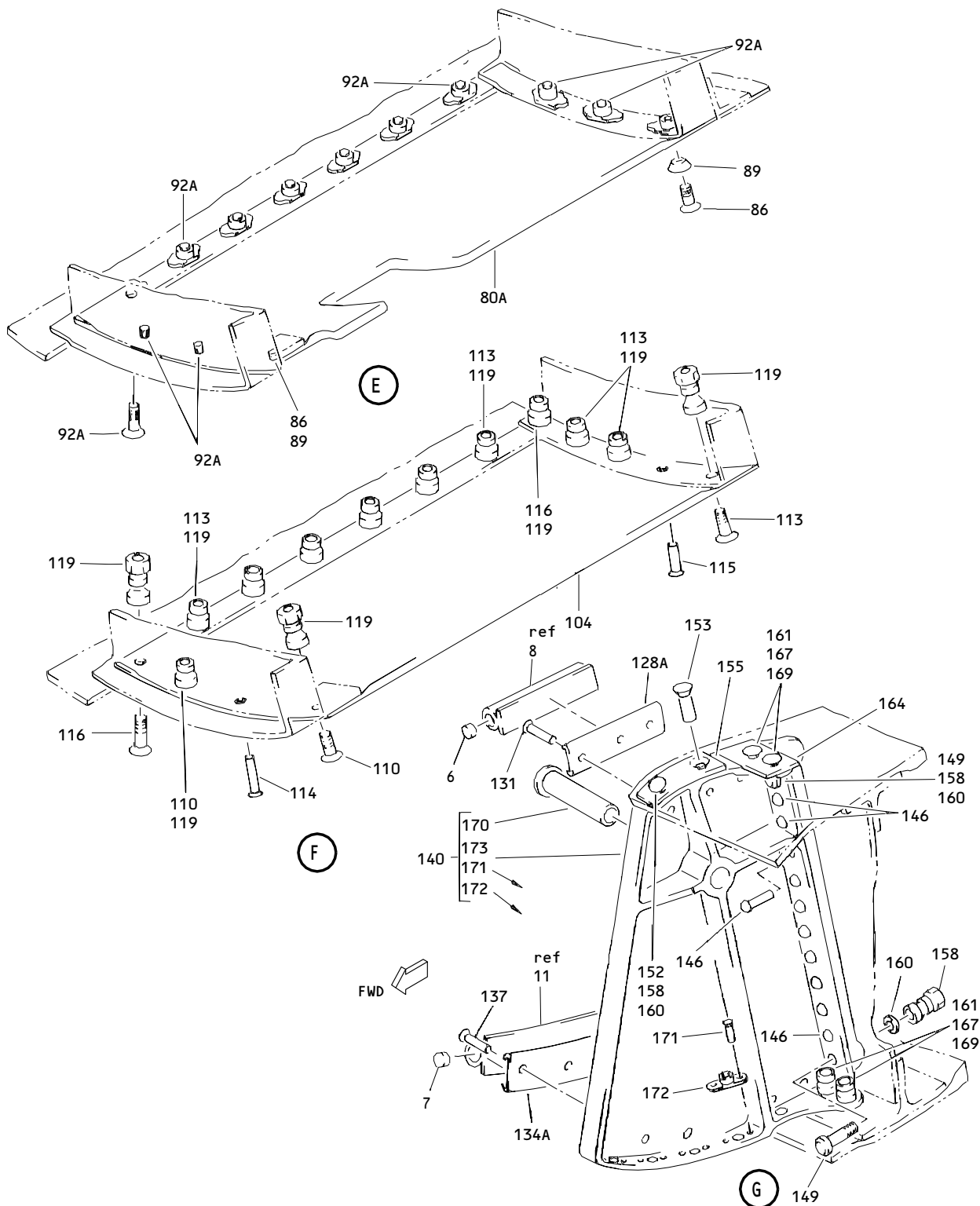
ILLUSTRATED PARTS LIST
01.1 Page 1037
Jul 01/03



Inboard Aileron Assembly
Figure 1 (Sheet 2)

57-60-11

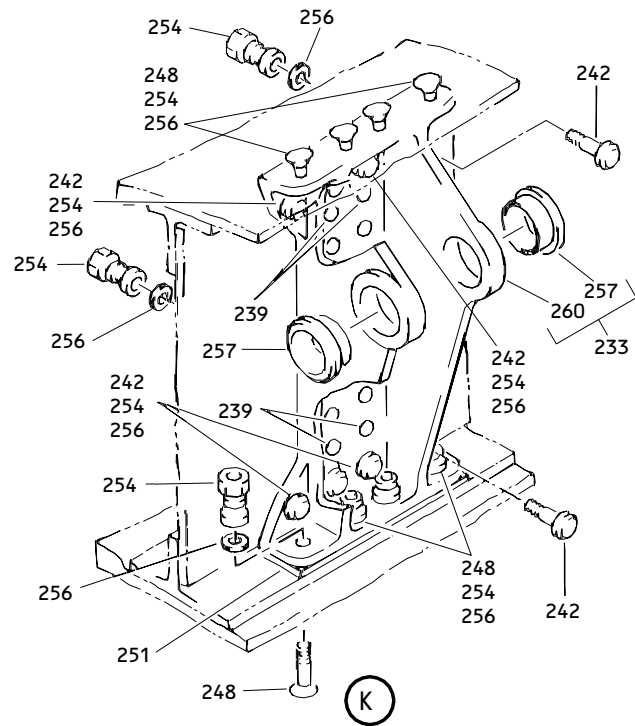
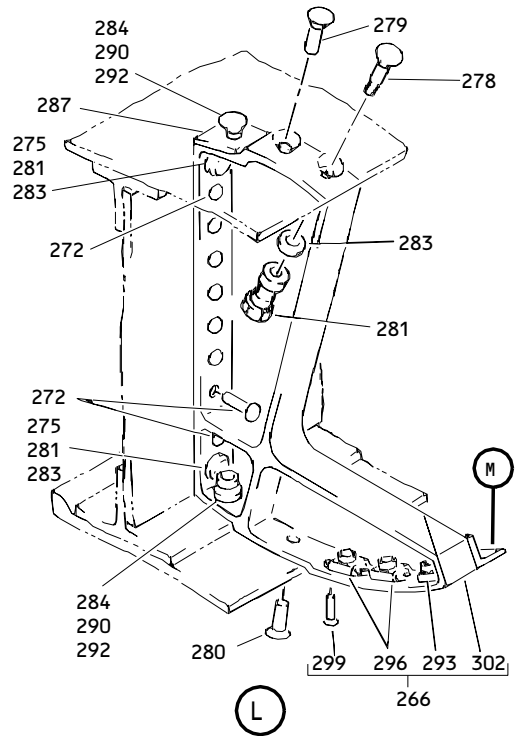
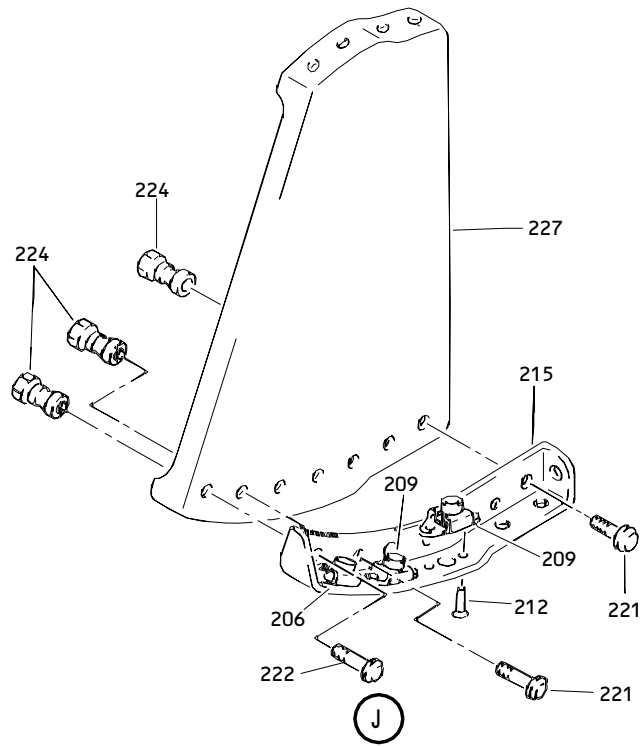
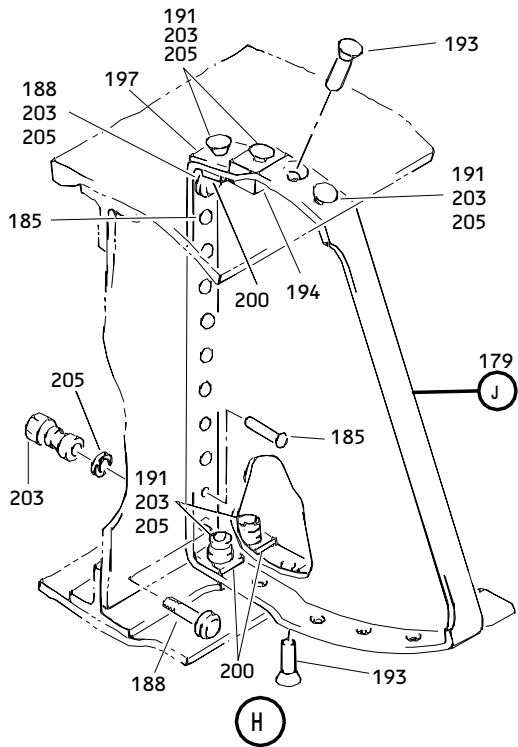
ILLUSTRATED PARTS LIST
01.1 Page 1038
Jul 01/03



Inboard Aileron Assembly
Figure 1 (Sheet 3)

57-60-11

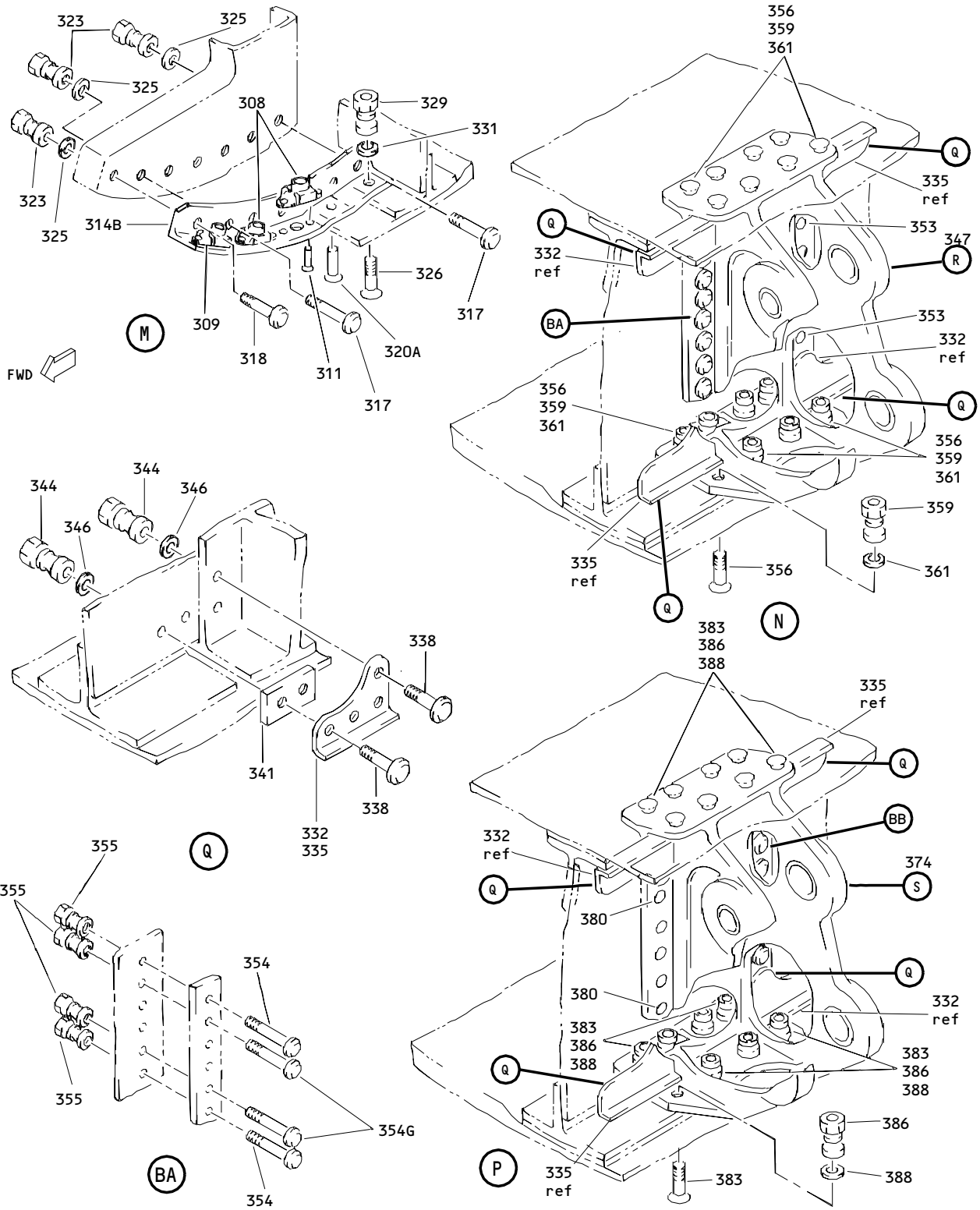
ILLUSTRATED PARTS LIST
01.1 Page 1039
Jul 01/03



Inboard Aileron Assembly
 Figure 1 (Sheet 4)

57-60-11

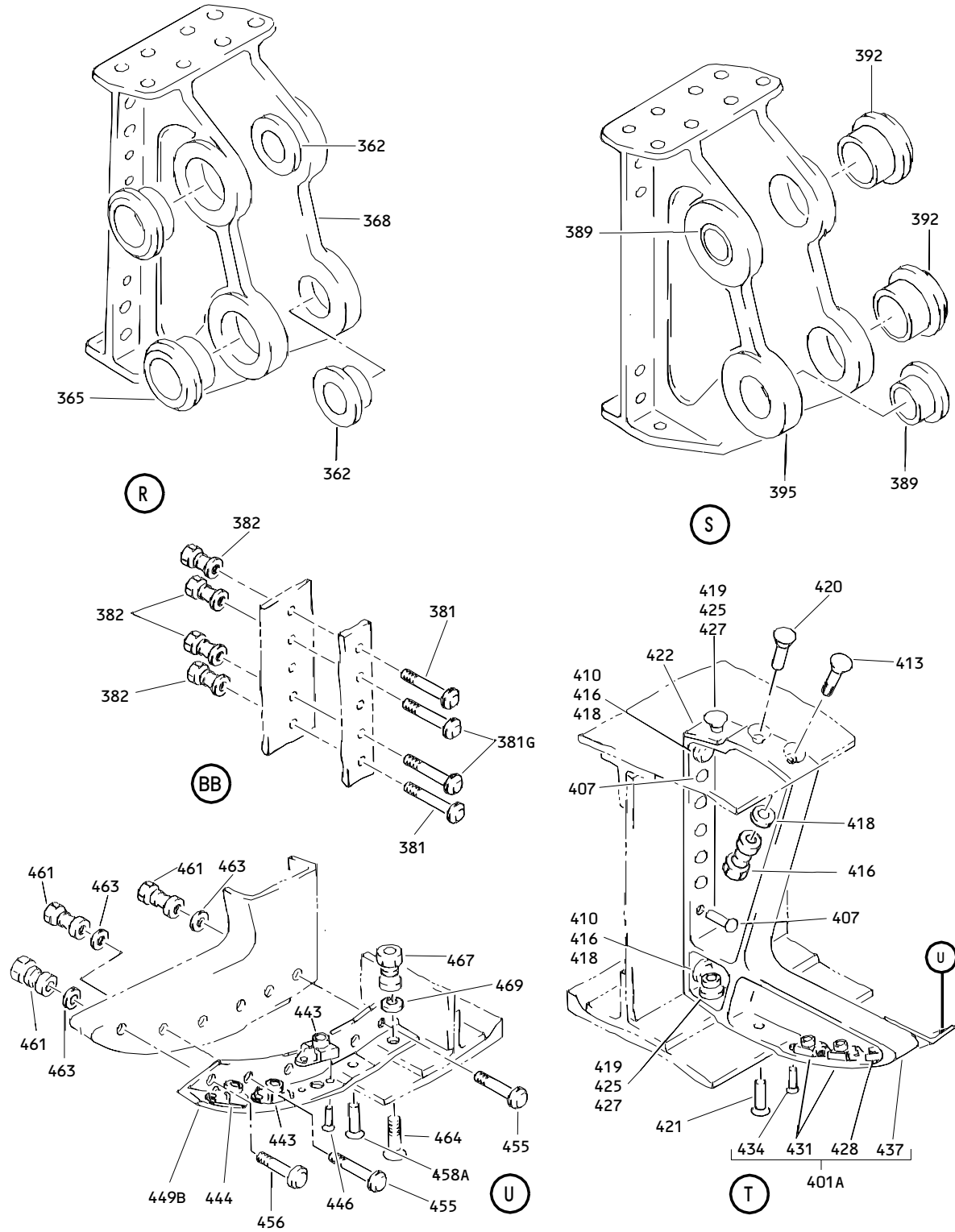
ILLUSTRATED PARTS LIST
 01.1 Page 1040
 Jul 01/03



Inboard Aileron Assembly
Figure 1 (Sheet 5)

57-60-11

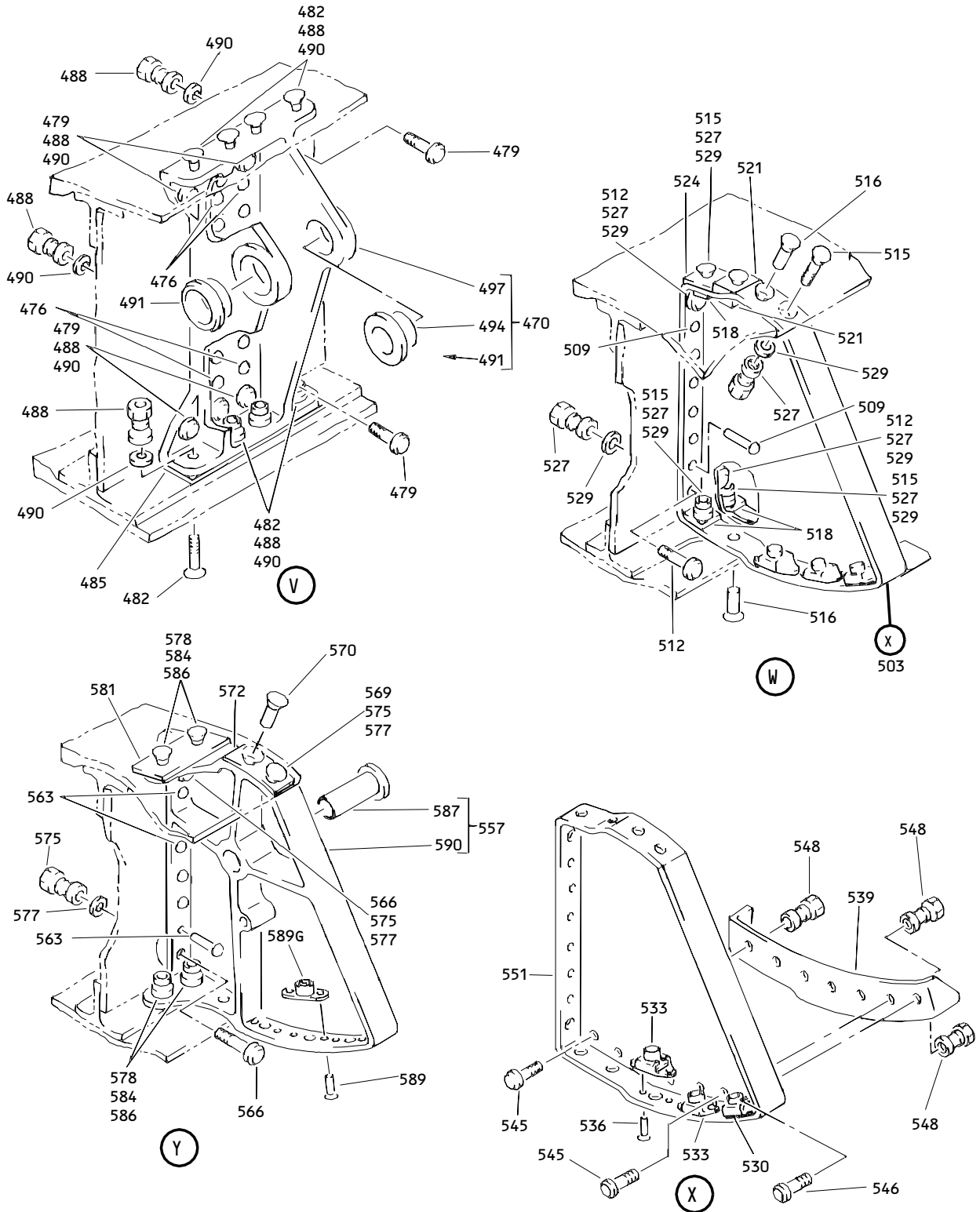
ILLUSTRATED PARTS LIST
01.1 Page 1041
Jul 01/03



Inboard Aileron Assembly
 Figure 1 (Sheet 6)

57-60-11

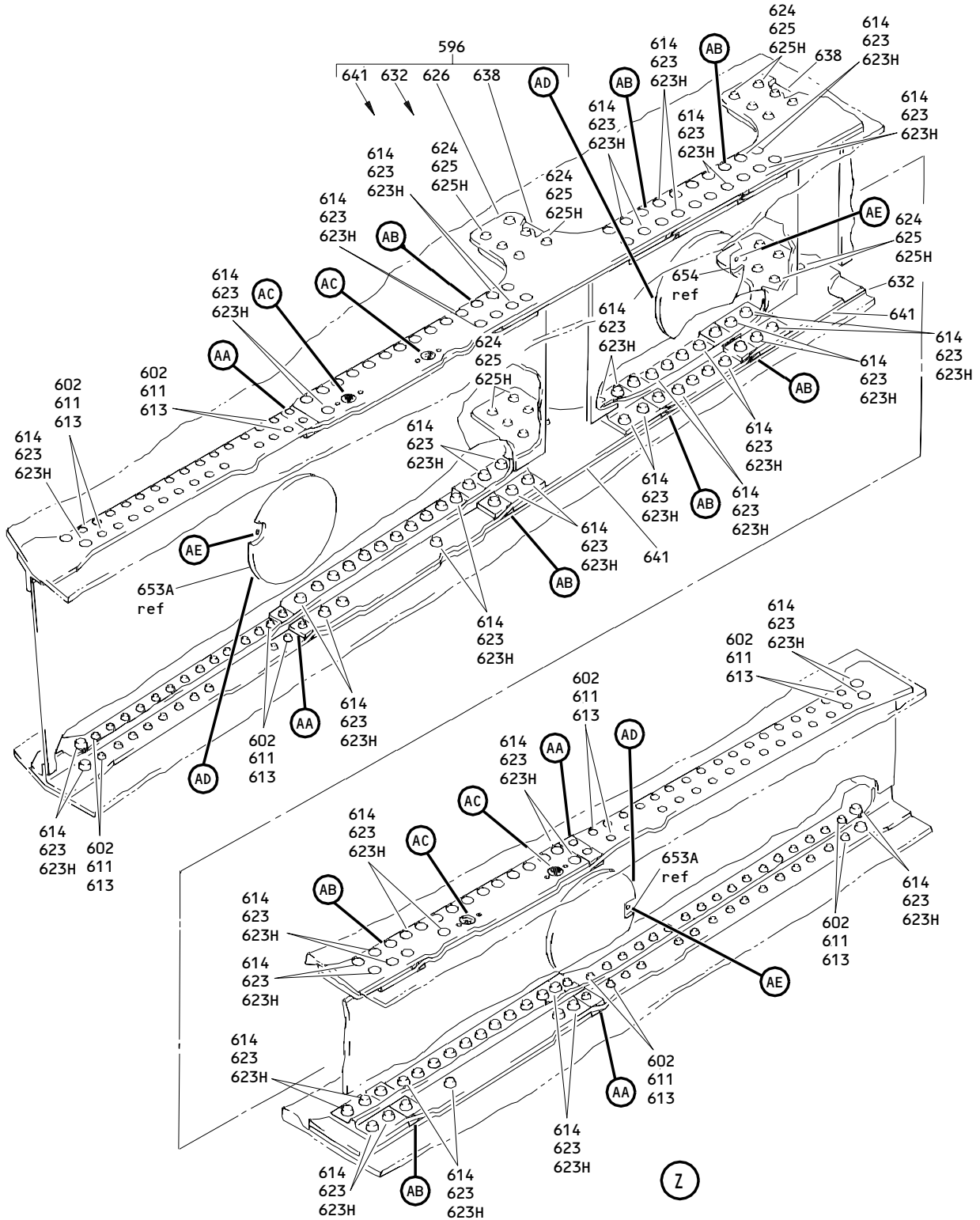
ILLUSTRATED PARTS LIST
 01.1 Page 1042
 Jul 01/03



Inboard Aileron Assembly
Figure 1 (Sheet 7)

57-60-11

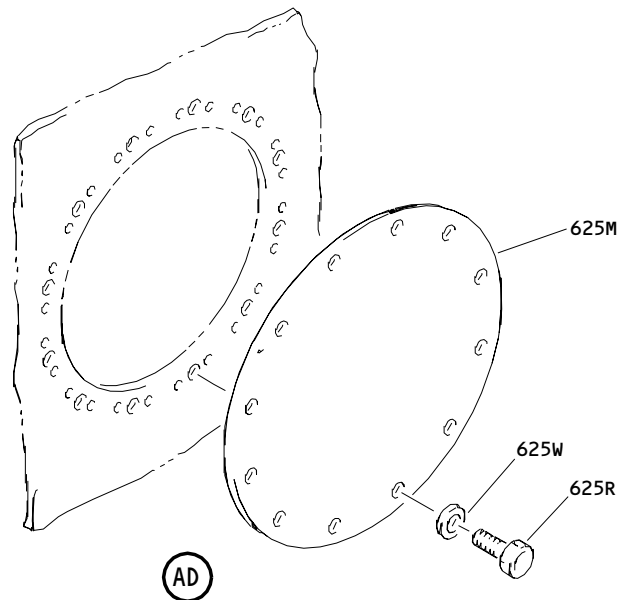
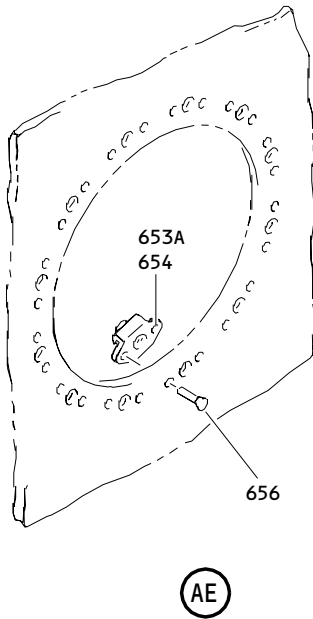
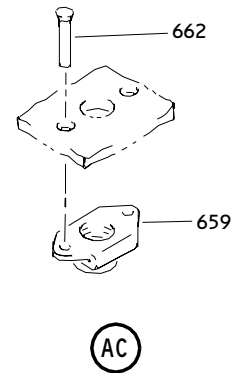
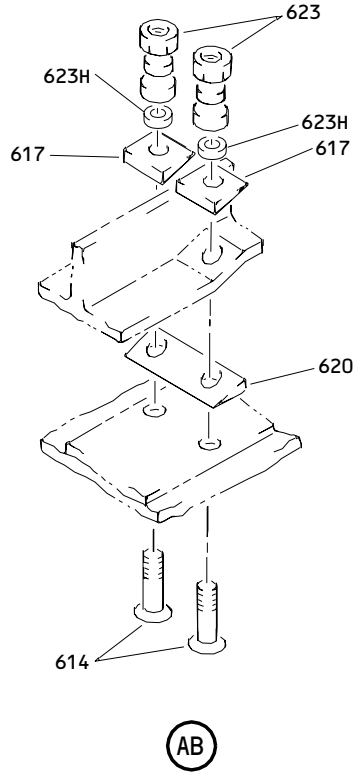
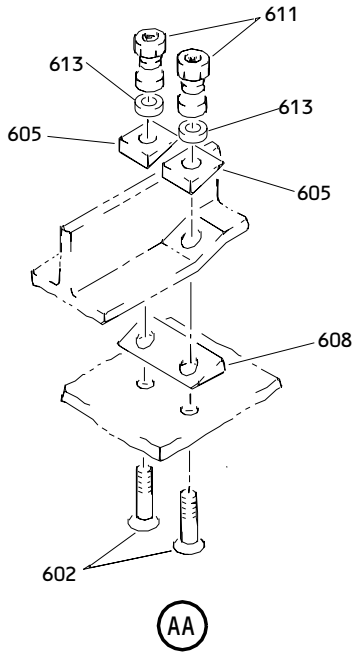
ILLUSTRATED PARTS LIST
01.1 Page 1043
Jul 01/03



Inboard Aileron Assembly
 Figure 1 (Sheet 8)

57-60-11

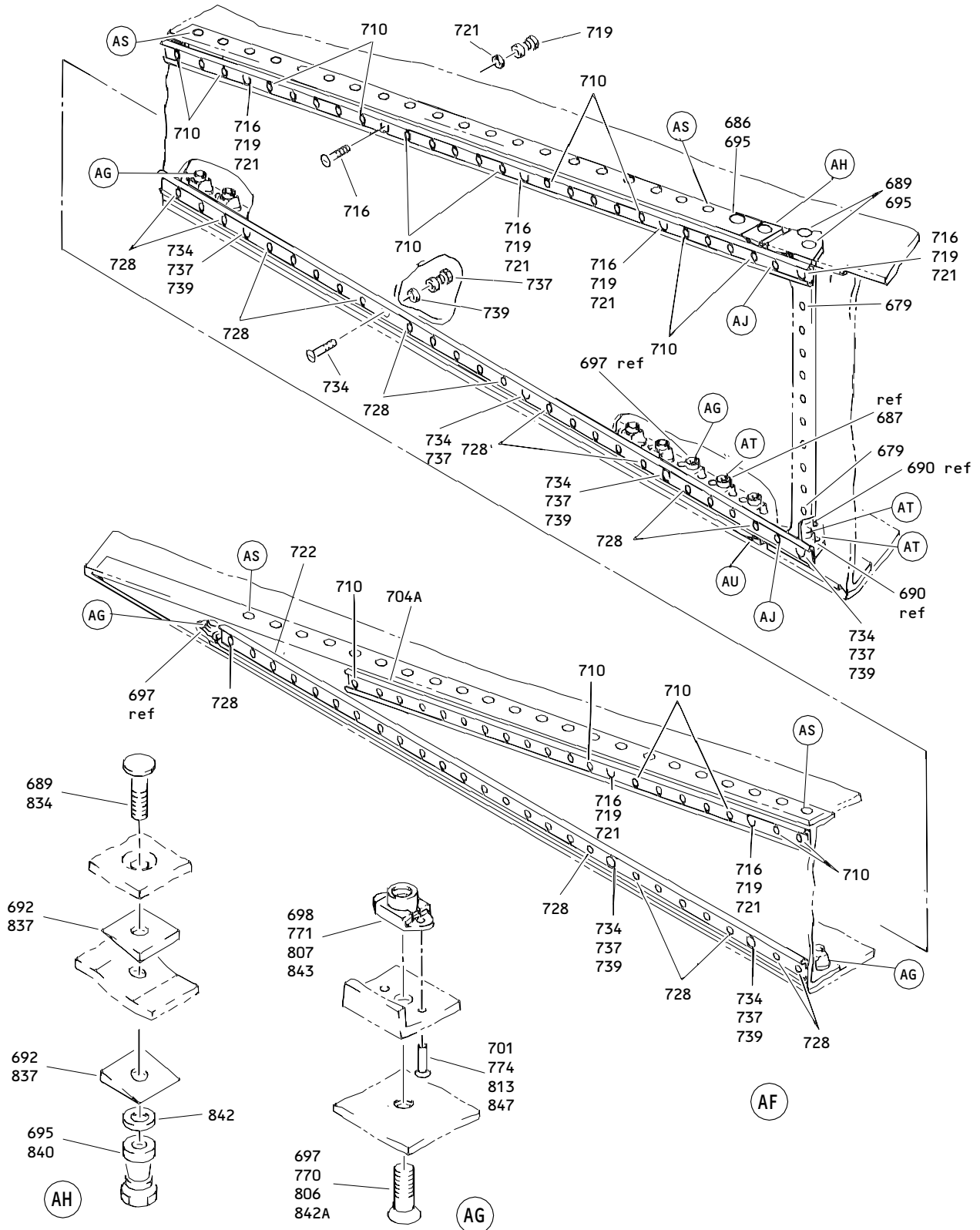
ILLUSTRATED PARTS LIST
 01.1 Page 1044
 Jul 01/03



Inboard Aileron Assembly
Figure 1 (Sheet 9)

57-60-11

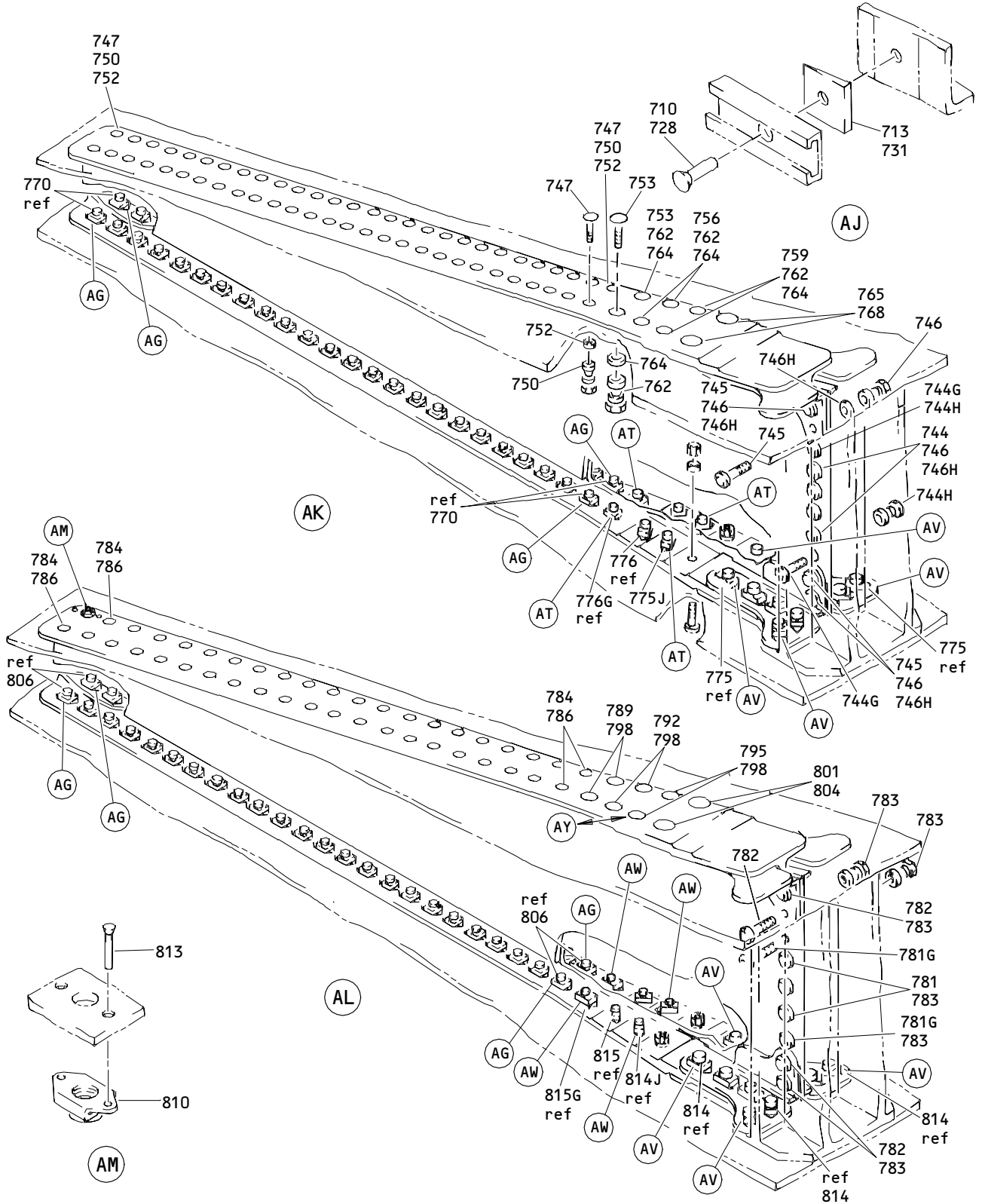
ILLUSTRATED PARTS LIST
01.1 Page 1045
Jul 01/03



Inboard Aileron Assembly
Figure 1 (Sheet 10)

57-60-11

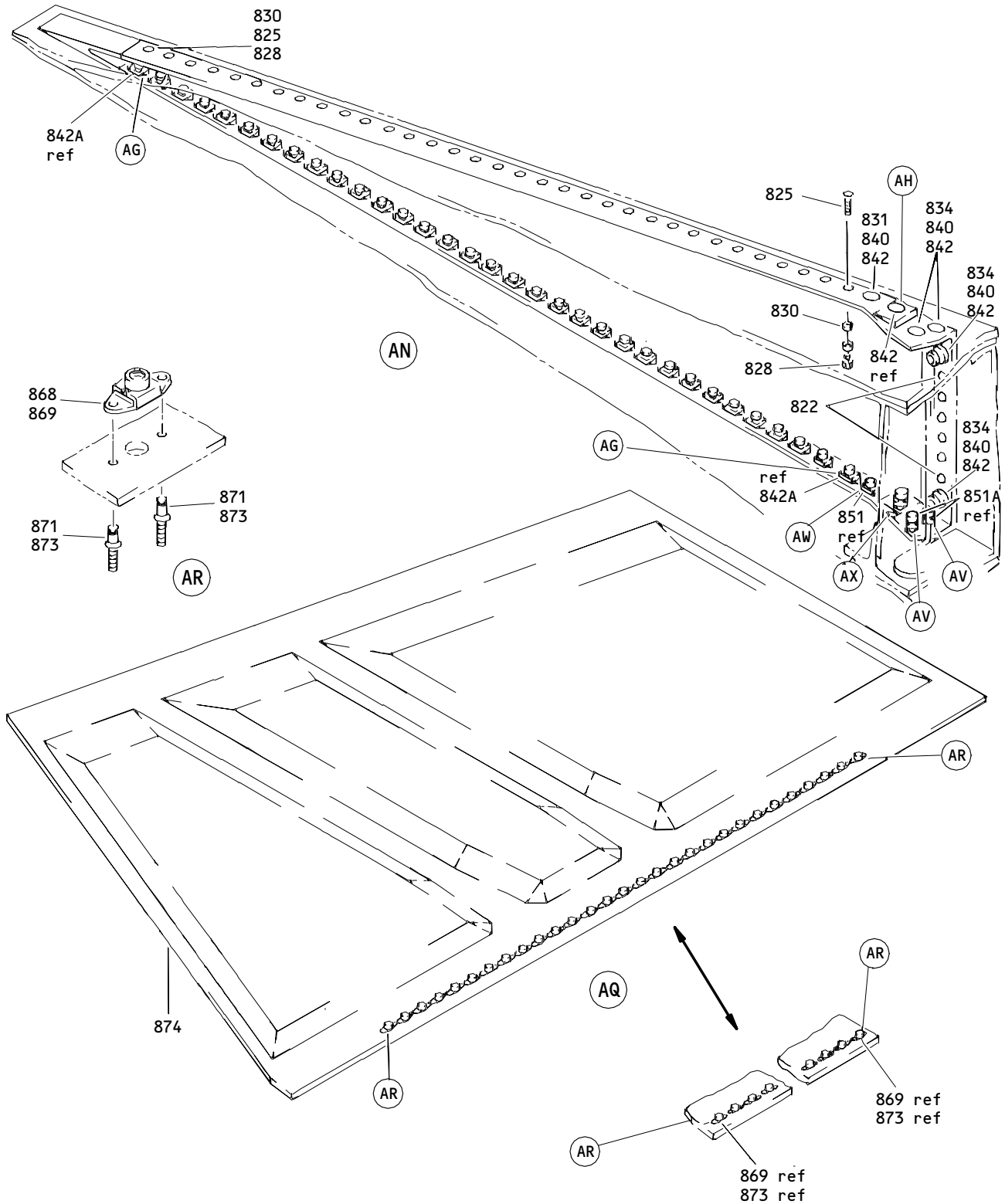
ILLUSTRATED PARTS LIST
 01.1 Page 1046
 Jul 01/03



Inboard Aileron Assembly
Figure 1 (Sheet 11)

57-60-11

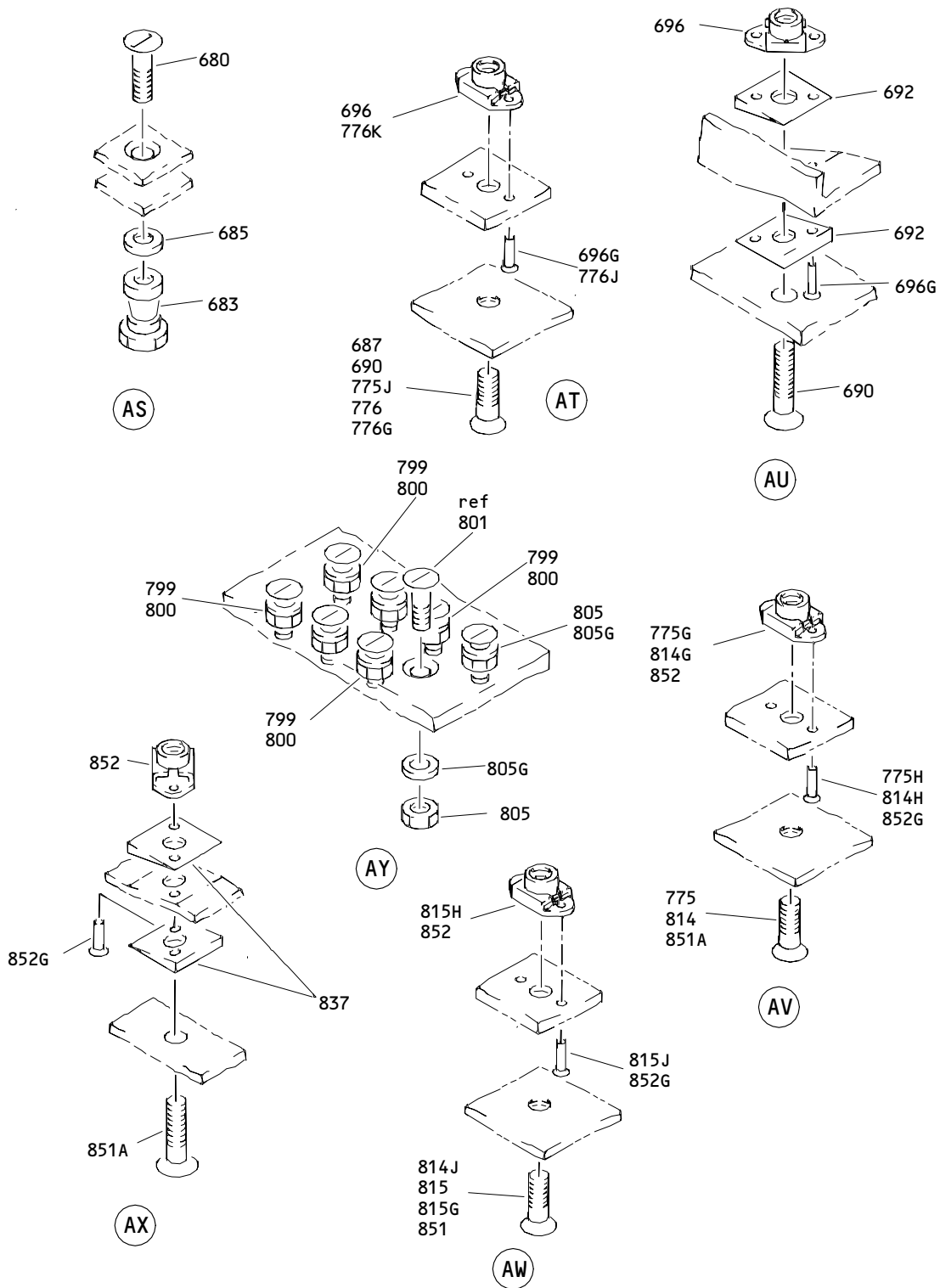
ILLUSTRATED PARTS LIST
01.1 Page 1047
Jul 01/03



Inboard Aileron Assembly
 Figure 1 (Sheet 12)

57-60-11

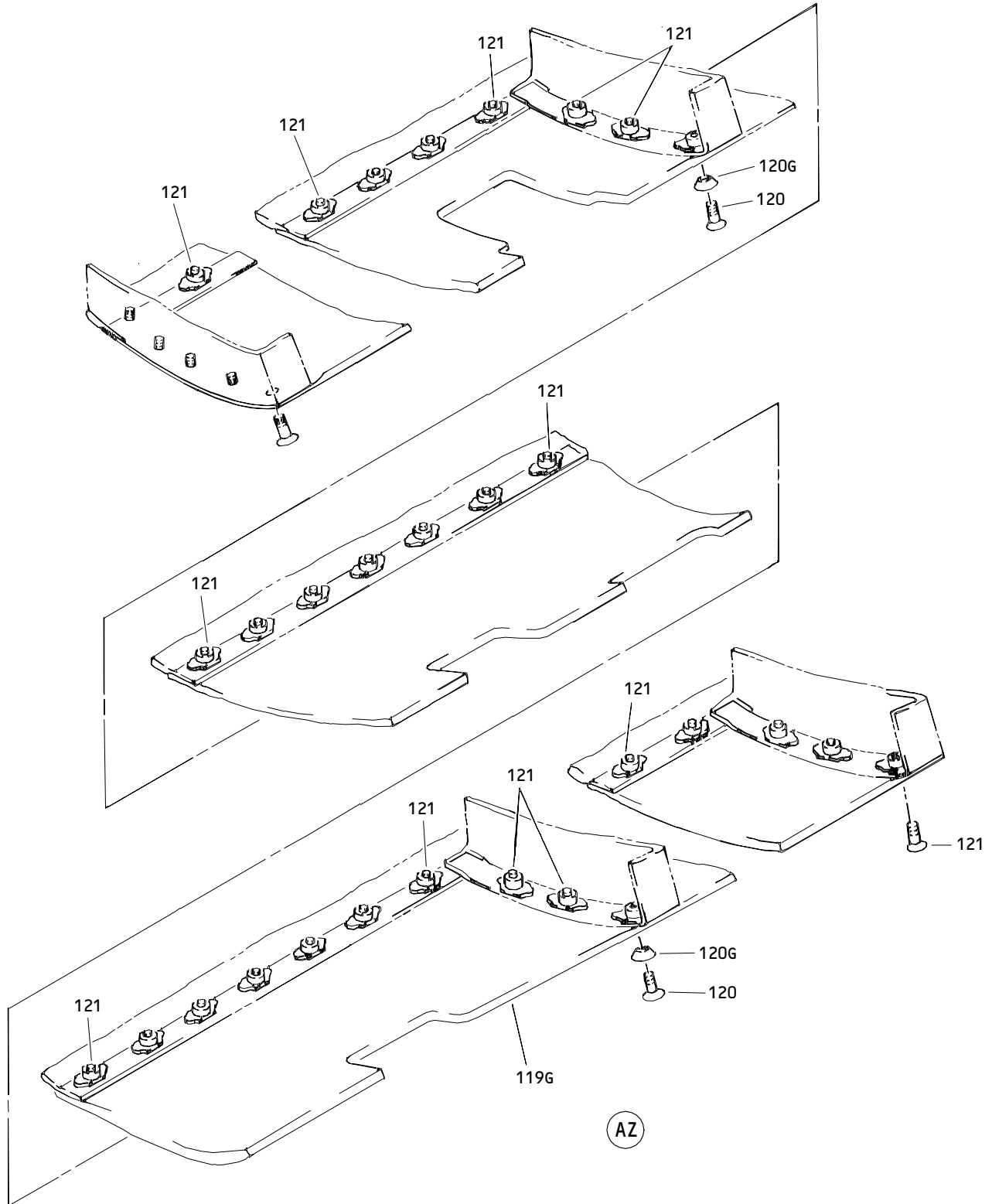
ILLUSTRATED PARTS LIST
 01.1 Page 1048
 Jul 01/03



Inboard Aileron Assembly
Figure 1 (Sheet 13)

57-60-11

ILLUSTRATED PARTS LIST
01.1 Page 1049
Jul 01/03



Inboard Aileron Assembly
Figure 1 (Sheet 14)

57-60-11

ILLUSTRATED PARTS LIST
01.1 Page 1050
Jul 01/03

BOEING
COMPONENT
MAINTENANCE MANUAL

FIG. & ITEM	PART NO.	AIRLINE PART NUMBER	NOMENCLATURE 1234567	EFF CODE	QTY PER ASSY
01-					
-1	113T6100-1SP		DELETED		
-1A	113T6100-3SP		DELETED		
-1B	113T6100-5SP		DELETED		
-1C	113T6100-7SP		AILERON ASSY-INBD AIL. (LH)	A	RF
-1D	113T6100-13		AILERON ASSY-INBD AIL. (VARIABLE) (LH)	B	RF
-1E	113T6002-1SP		AILERON ASSY-INBD AIL. (REWORK) (LH)	C	RF
-1F	113T6100-19		AILERON ASSY-INBD AIL. (VARIABLE) (LH)	G	RF
-1G	113T6100-21		AILERON ASSY-INBD AIL. (VARIABLE) (LH)	J	RF
-1H	113T6100-85		AILERON ASSY-INBD AIL. (VARIABLE) (LH)	L	RF
-1J	113T6100-87SP		DELETED		
R -1K	113T6100-87G		AILERON ASSY-INBD AIL. (LH)	N	RF
R -1L	113T6100-87H		AILERON ASSY-INBD AIL. (LH)	Q	RF
R -1M	113T6100-89G		AILERON ASSY-INBD AIL. (LH)	S	RF
R -1N	113T6100-89H		AILERON ASSY-INBD AIL. (LH)	T	RF
-5	113T6100-2SP		DELETED		
-5A	113T6100-4SP		DELETED		
-5B	113T6100-6SP		DELETED		
-5C	113T6100-8SP		AILERON ASSY-INBD AIL. (RH)	D	RF
-5D	113T6100-14		AILERON ASSY-INBD AIL. (VARIABLE) (RH)	E	RF
-5E	113T6002-2SP		AILERON ASSY-INBD AIL. (REWORK) (RH)	F	RF
-5F	113T6100-20		AILERON ASSY-INBD AIL. (VARIABLE) (RH)	H	RF
-5G	113T6100-22		AILERON ASSY-INBD AIL. (VARIABLE) (RH)	K	RF
-5H	113T6100-86		AILERON ASSY-INBD AIL. (VARIABLE) (RH)	M	RF
-5J	113T6100-88SP		DELETED		
R -5K	113T6100-88G		AILERON ASSY-INBD AIL. (RH)	P	RF
R -5L	113T6100-88H		AILERON ASSY-INBD AIL. (RH)	R	RF
R -5M	113T6100-90G		AILERON ASSY-INBD AIL. (RH)	U	RF
R -5N	113T6100-90H		AILERON ASSY-INBD AIL. (RH)	V	RF
6	113T6100-17		.PLUG- (MFD FROM SH RUBBER SILICONE SPONGE BMS1-23 .70 DIA X 1.60 IN)		1

57-60-11

FIG. & ITEM	PART NO.	AIRLINE PART NUMBER	NOMENCLATURE 1234567	EFF CODE	QTY PER ASSY
01-7	113T6100-18		.PLUG- (MFD FROM SH RUBBER SILICONE SPONGE BMS1-23 0.80 X .70 X 1.60 IN)		1
8	113T6105-1		.SEAL-UPR (LIMITED) (MFD FROM EXTRUSION RUBBER 10-60754-221 58.30 IN.)	A-M	1
-8A	113T6105-3		.SEAL-UPR (LIMITED) (MFD FROM EXTRUSION RUBBER 10-60754-221 58.30 IN)	A-M	1
-8B	113T6105-3		.SEAL-UPR (MFD FROM EXTRUSION RUBBER 10-60754-221 58.30 IN)	N-V	1
11	113T6105-2		.SEAL-LWR (MFD FROM EXTRUSION RUBBER 10-60754-288 65900 IN.)		1
14	MS27253-1		.PLATE ATTACHING PARTS		1
17	BACR15BB3AD		.RIVET- (SIZE DETERMINE ON INST) -----*		4
-20	113T6115-1		.PANEL INSTL-LWR NOSE (REPLD BY ITEM 119G)	A,B,G J,L	1

57-60-11

 ILLUSTRATED PARTS LIST
 01.1 Page 1052
 Jul 01/03

 **BOEING**
COMPONENT
MAINTENANCE MANUAL

FIG. & ITEM	PART NO.	AIRLINE PART NUMBER	NOMENCLATURE 1234567	EFF CODE	QTY PER ASSY
01-					
-20A	113T6115-1		.PANEL INSTL-LWR NOSE	C	1
-23	113T6115-2		.PANEL INSTL-LWR NOSE (REPLD BY ITEM 119K)	D,E,H K,M	1
-23A	113T6115-2		.PANEL INSTL-LWR NOSE	F	1
26	113T6115-3		..PANEL ASSY	A-C,G J,L	1
-29	113T6115-4		..PANEL ASSY	D-F,H K,M	1
32	HL11VAZ6-3		ATTACHING PARTS ..BOLT- (V56878) (SPEC BACB30NW6K3) (OPT B30NW6K3 (V97928)) (OPT HL11VAZ6-3 (V73197)) (OPT HL11VAZ6-3 (V92215)) (OPT HL11VAZ6-3 (V97928)) (OPT L803-6K3 (V06725)) (OPT HL11VAZ6-3 (V0PTK6)) (OPT HL11VAZ6-3 (V60516))	A-M	2
33	NAS1399MW6-3		..RIVET	A-M	1
35	HL11VAZ6-4		..BOLT- (V56878) (SPEC BACB30NW6K4) (OPT HL11V6-4 (V92215)) (OPT HL11V6-4 (V97928)) (OPT L803-6-4 (V06725)) (OPT B30NW6K4 (V97928)) (OPT HL11VAZ6-4 (V73197)) (OPT HL11VAZ6-4 (V92215)) (OPT HL11VAZ6-4 (V97928))	A-M	8

57-60-11

ILLUSTRATED PARTS LIST
01.1 Page 1053
Jul 01/03

FIG. & ITEM	PART NO.	AIRLINE PART NUMBER	NOMENCLATURE 1234567	EFF CODE	QTY PER ASSY
01-36	NAS1399MW6-4		..RIVET	A-M	1
38	HL11VAZ6-5		..BOLT- (V56878) (SPEC BACB30NW6K5) (OPT HL11V6-5 (V92215)) (OPT HL11V6-5 (V97928)) (OPT L803-6-5 (V06725)) (OPT B30NW6K5 (V97928)) (OPT HL11VAZ6-5 (V73197)) (OPT HL11VAZ6-5 (V92215)) (OPT HL11VAZ6-5 (V97928))	A-M	2
41	HL79-6		..COLLAR- (V5M902) (SPEC BACC30M6) (OPT HL79-6 (V73197)) (OPT HL79-6 (V92215)) (OPT 66014-6 (V56878)) (OPT HL79-6 (V56878)) -----*	A-M	12

57-60-11

 ILLUSTRATED PARTS LIST
 01.1 Page 1054
 Jul 01/03

 **BOEING**
COMPONENT
MAINTENANCE MANUAL

FIG. & ITEM	PART NO.	AIRLINE PART NUMBER	NOMENCLATURE 1234567	EFF CODE	QTY PER ASSY
01-44	113T6116-1		DELETED		
44A	113T6116-7		.BOND ASSY-LWR NOSE ACCESS PNL (REPLD BY ITEM 119G)	A,B,G ,J,L	1
-44B	113T6116-7		.BOND ASSY-LWR NOSE ACCESS PNL (REPLD BY ITEM 44C)	C	1
-44C	113T6116-5		.BOND ASSY-LWR NOSE ACCESS PNL (LIMITED) (REPLS ITEM 44B)	C	1
-47	113T6116-2		DELETED		
-47A	113T6116-8		.BOND ASSY-LWR NOSE ACCESS PNL (REPLD BY ITEM 119K)	D,E,H ,K,M	1
-47B	113T6116-8		.BOND ASSY-LWR NOSE ACCESS PNL (REPLD BY ITEM 47C)	F	1
-47C	113T6116-6		.BOND ASSY-LWR NOSE ACCESS PNL (LIMITED) (REPLS ITEM 47B) ATTACHING PARTS	F	1
50	BACB30LR4-5		.BOLT	A-M	2
53	BACW10UC416P		.WASHER	A-M	2
56	BACB30NN3K5		DELETED		
56A	BACB30NN3K4		.BOLT	A-M	11
59	BACW10UC10P		DELETED		
62	113T6117-1		DELETED		
62A	113T6117-5		DELETED		
62B	113T6117-7		.BOND ASSY-LWR NOSE ACCESS PNL (REPLD BY ITEM 119G)	A,B,G ,J,L	1
-62C	113T6117-7		.BOND ASSY-LWR NOSE ACCESS PNL (LIMITED)	C	1
-65	113T6117-2		DELETED		
-65A	113T6117-6		DELETED		
-65B	113T6117-8		.BOND ASSY-LWR NOSE ACCESS PNL (REPLD BY ITEM 119K)	D,E,H ,K,M	1
-65C	113T6117-8		.BOND ASSY-LWR NOSE ACCESS PNL (LIMITED)	F	1
68	BACB30LR4-5		.BOLT-(LIMITED)	A-M	2
71	BACW10UC416P		.WASHER-(LIMITED)	A-M	2
74	BACB30NN3K5		DELETED		
74A	BACB30NN3K4		.BOLT-(LIMITED)	A-M	19
77	BACW10UC10P		DELETED		

57-60-11

ILLUSTRATED PARTS LIST
01.1 Page 1055
Jul 01/03

FIG. & ITEM	PART NO.	AIRLINE PART NUMBER	NOMENCLATURE 1234567	EFF CODE	QTY PER ASSY
01-80	113T6118-1		DELETED		
80A	113T6118-5		.BOND ASSY-LWR NOSE ACCESS PNL (REPLD BY ITEM 119G)	A,B,G ,J,L	1
-80B	113T6118-5		.BOND ASSY-LWR NOSE ACCESS PNL	C	1
-83	113T6118-2		DELETED		
-83A	113T6118-6		.BOND ASSY-LWR NOSE ACCESS PNL (REPLD BY ITEM 119K)	D,E,H ,K,M	1
-83B	113T6118-6		.BOND ASSY-LWR NOSE ACCESS PNL	F	1
86	BACB30LR4-5		.BOLT	A-M	2
89	BACW10UC416P		.WASHER	A-M	2
92	BACB30NN3K5		DELETED		
92A	BACB30NN3K4		.BOLT-(LIMITED)	A-M	11
95	BACW10UC10P		DELETED		
-98	113T6119-1		.PANEL INSTL-LWR NOSE (REPLD BY ITEM 119G)	A,B,G ,J,L	1
-98A	113T6119-1		.PANEL INSTL-LWR NOSE	C	1
-101	113T6119-2		.PANEL INSTL-LWR NOSE (REPLD BY ITEM 119K)	D,E,H ,K,M	1
-101A	113T6119-2		.PANEL INSTL-LWR NOSE	F	1
104	113T6119-3		..PANEL ASSY	A-C,G ,J,L	1
-107	113T6119-4		..PANEL ASSY	D-F,H ,K,M	1
110	HL11VAZ6-3		..BOLT- (V56878) (SPEC BACB30NW6K3) (OPT B30NW6K3 (V97928)) (OPT HL11VAZ6-3 (V73197)) (OPT HL11VAZ6-3 (V92215)) (OPT HL11VAZ6-3 (V97928)) (OPT L803-6K3 (V06725)) (OPT HL11VAZ6-3 (V0PTK6)) (OPT HL11VAZ6-3 (V60516))	A-M	2

57-60-11

 ILLUSTRATED PARTS LIST
 01.1 Page 1056
 Jul 01/03

BOEING
COMPONENT
MAINTENANCE MANUAL

FIG. & ITEM	PART NO.	AIRLINE PART NUMBER	NOMENCLATURE 1234567	EFF CODE	QTY PER ASSY
01-113	HL11VAZ6-4		..BOLT- (V56878) (SPEC BACB30NW6K4) (OPT HL11V6-4 (V92215)) (OPT HL11V6-4 (V97928)) (OPT L803-6-4 (V06725)) (OPT B30NW6K4 (V97928)) (OPT HL11VAZ6-4 (V73197)) (OPT HL11VAZ6-4 (V92215)) (OPT HL11VAZ6-4 (V97928)) -----*-----	A-M	9
114	NAS1399MW6-4		..RIVET	A-M	1
115	NAS1399MW6-3		..RIVET	A-M	1
			ATTACHING PARTS		
116	HL11VAZ6-5		..BOLT- (V56878) (SPEC BACB30NW6K5) (OPT HL11V6-5 (V92215)) (OPT HL11V6-5 (V97928)) (OPT L803-6-5 (V06725)) (OPT B30NW6K5 (V97928)) (OPT HL11VAZ6-5 (V73197)) (OPT HL11VAZ6-5 (V92215)) (OPT HL11VAZ6-5 (V97928))	A-M	2

57-60-11

ILLUSTRATED PARTS LIST
01.1 Page 1057
Jul 01/03

FIG. & ITEM	PART NO.	AIRLINE PART NUMBER	NOMENCLATURE 1234567	EFF CODE	QTY PER ASSY
01-119	HL79-6		. . COLLAR- (V5M902) (SPEC BACC30M6) (OPT HL79-6 (V73197)) (OPT HL79-6 (V92215)) (OPT 66014-6 (V56878)) (OPT HL79-6 (V56878)) -----*	A-M	13
119G	113T6109-1		. BOND ASSY-PNL (REPLS ITEMS 20, 44A, 62B, 80A, 98)	A, B, G , J, L	1
-119H	113T6109-1		. BOND ASSY-PNL	N, Q	1
-119K	113T6109-2		. BOND ASSY-PNL (REPLS ITEMS 23, 47A, 65B, 83A, 101)	D, E, H , K, M	1
-119L	113T6109-2		. BOND ASSY-PNL ATTACHING PARTS	P, R	1
120	BACB30LR4-5		. BOLT	A, B, D , E, G-R	2
120G	BACW10UC416P		. WASHER	A, B, D , E, G-R	2
121	BACB30NN3K4		. BOLT	A, B, D, E, G-R	56
-122	113T6110-1		. NOSE INSTL- (REPLD BY ITEM 122C)	A, B, G , J, L	1
-122A	113T6110-3		. NOSE INSTL-(LIMITED) (REPLS ITEM 122B)	C	1
-122B	113T6110-5		. NOSE INSTL-(LIMITED) (REPLD BY ITEM 122A)	C	1
-122C	113T6110-93		. NOSE INSTL- (REPLS ITEM 122) (FOR DETAILS SEE FIG. 2)	A, B, G , J, L	1
-122D	113T6110-93		. NOSE INSTL- (FOR DETAILS SEE FIG. 2)	N, Q	1
R -122E	113T6110-119		. NOSE INSTL- (FOR DETAILS SEE FIG. 2)	S, T	1

57-60-11

 ILLUSTRATED PARTS LIST
 01.1 Page 1058
 Jul 01/03

 **BOEING**
COMPONENT
MAINTENANCE MANUAL

FIG. & ITEM	PART NO.	AIRLINE PART NUMBER	NOMENCLATURE 1234567	EFF CODE	QTY PER ASSY
01- -125	113T6110-2		.NOSE INSTL- (REPLD BY ITEM 125C)	D,E,H ,K,M	1
-125A	113T6110-4		.NOSE INSTL-(LIMITED) (REPLS ITEM 125B)	F	1
-125B	113T6110-6		.NOSE INSTL-(LIMITED) (REPLD BY ITEM 125A)	F	1
-125C	113T6110-94		.NOSE INSTL- (REPLS ITEM 125) (FOR DETAILS SEE FIG. 2)	D,E,H ,K,M	1
-125D	113T6110-94		.NOSE INSTL- (FOR DETAILS SEE FIG. 2)	P,R	1
R -125E	113T6110-120		.NOSE INSTL- (FOR DETAILS SEE FIG. 2)	U,V	1
128	113T6110-45		DELETED		
128A	113T6110-91		..RETAINER-SEAL	A-R	1
-128B	113T6110-121		DELETED		
131	BACR15BA6KE		ATTACHING PARTS ..RIVET- (SIZE DETERMINE ON INST)	A,B,D ,E, G-M	3
			-----*-----		
134	113T6110-46		DELETED		
134A	113T6110-87		..RETAINER-SEAL (LIMITED) (USED ON ITEM 122A)	A-C,G ,J,L	1
-134B	113T6110-87		..RETAINER-SEAL (LIMITED) (REPLD BY ITEM 135) (USED ON ITEM 122B)	C	1
-134C	113T6110-87		DELETED		
-134G	113T6110-88		..RETAINER-SEAL (LIMITED) (USED ON ITEM 125A)	D-F,H ,K,M	1
-134H	113T6110-88		..RETAINER-SEAL (REPLD BY ITEM 135G) (USED ON ITEM 125B)	F	1
-134J	113T6110-88		DELETED		
-135	113T6110-85		..RETAINER-SEAL (REPLS ITEM 134B) (USED ON ITEM 122B)	C	1
-135G	113T6110-86		..RETAINER-SEAL (REPLS ITEM 134H) (USED ON ITEM 125B)	F	1
137	BACR15BA6KE		ATTACHING PARTS ..RIVET- (SIZE DETERMINE ON INST)	A,B,D ,E, G-M	4
			-----*-----		

57-60-11

ILLUSTRATED PARTS LIST
01.1 Page 1059
Jul 01/03

FIG. & ITEM	PART NO.	AIRLINE PART NUMBER	NOMENCLATURE 1234567	EFF CODE	QTY PER ASSY
01-140	113T6145-1		..FITTING ASSY-FAIL SAFE HINGE SPRT (OPT ITEM 140A) (USED ON ITEM 122B)	C	1
-140A	113T6145-5		..FITTING ASSY-FAIL SAFE HINGE SPRT (OPT ITEM 140) (USED ON ITEM 122B)	C	1
-140B	113T6145-1		..FITTING ASSY-FAIL SAFE HINGE SPRT (USED ON ITEMS 122, 122A)	A-C,G,J,L	1
-140C	113T6145-11		..FITTING ASSY-FAIL SAFE HINGE SPRT (USED ON ITEMS 122C, 122D)	A,B,G,J,L	1
-143	113T6145-2		..FITTING ASSY-FAIL SAFE HINGE SPRT (OPT ITEM 143A) (USED ON ITEM 125B)	F	1
-143A	113T6145-6		..FITTING ASSY-FAIL SAFE HINGE SPRT (OPT ITEM 143) (USED ON ITEM 125B)	F	1
-143B	113T6145-2		..FITTING ASSY-FAIL SAFE HINGE SPRT (USED ON ITEMS 125, 125A)	D-F,H,K,M	1
-143C	113T6145-12		..FITTING ASSY-FAIL SAFE HINGE SPRT (USED ON ITEMS 125C, 125D)	D,E,H,K,M	1
146	BACR15FT6KE		ATTACHING PARTS ..RIVET- (SIZE DETERMINE ON INST)	A,B,D,E,G-M	10
149	BACB30MY6K		..BOLT- (SIZE DETERMINE ON INST)	A,B,D,E,G-M	2
152	BACB30NW6K		..BOLT- (SIZE DETERMINE ON INST)	A,B,D,E,G-M	1
153	NAS1399MW6-4		..RIVET	A,B,D,E,G-M	1

57-60-11

 ILLUSTRATED PARTS LIST
 01.1 Page 1060
 Jul 01/03

 **BOEING**
COMPONENT
MAINTENANCE MANUAL

FIG. & ITEM	PART NO.	AIRLINE PART NUMBER	NOMENCLATURE 1234567	EFF CODE	QTY PER ASSY
01-155	BACS4OR09B31F		..SHIM	A,B,D E G-M	1
158	HL79-6		..COLLAR- (V5M902) (SPEC BACC30M6) (OPT HL79-6 (V73197)) (OPT HL79-6 (V92215)) (OPT 66014-6 (V56878)) (OPT HL79-6 (V56878)) (OPT ITEM 159 USED WITH ITEM 160)	A,B,D E G-M	3
-159	HL97KG6		..COLLAR- (V5M902) (SPEC BACC30AB6C) (OPT HL97PB6 (V92215)) (OPT HL97PB6 (V56878)) (OPT HL97KG6 (V73197)) (OPT HL97KG6 (V56878)) (OPT HL97PB6 (V73197)) (OPT ITEM 158) (USED WITH ITEM 160)	A,B,D E G-M	3
160	BACW10BP3NDP		..WASHER- (USED WITH ITEM 159)	A,B,D E G-M	3
161	BACB30NW8K		..BOLT- (SIZE DETERMINE ON INST)	A,B,D E G-M	4
164	BACS4OR10B19F		..SHIM	A,B,D E G-M	1

57-60-11

ILLUSTRATED PARTS LIST
01.1 Page 1061
Jul 01/03

FIG. & ITEM	PART NO.	AIRLINE PART NUMBER	NOMENCLATURE 1234567	EFF CODE	QTY PER ASSY
01-167	HL79-8		..COLLAR- (V5M902) (SPEC BACC30M8) (OPT HL79-8 (V73197)) (OPT HL79-8 (V92215)) (OPT 66014-8 (V56878)) (OPT HL79-8 (V56878)) (OPT ITEM 168 USED WITH ITEM 169)	A,B,D ,E, G-M	4
-168	HL97KG8		..COLLAR- (V5M902) (SPEC BACC30AB8C) (OPT HL97PB8 (V92215)) (OPT HL97PB8 (V56878)) (OPT HL97KG8 (V73197)) (OPT HL97KG8 (V56878)) (OPT HL97PB8 (V73197)) (OPT ITEM 167) (USED WITH ITEM 169)	A,B,D ,E, G-M	4
169	BACW10BP4NDP		..WASHER- (USED WITH ITEM 168)	A,B,D ,E, G-M	4
			-----*		
170	BACB28AP08P229		...BUSHING	A,B,D ,E, G-M	1
171	BACR15BA3AD		...RIVET- (USED ON ITEMS 140C, 143C) (SIZE DETERMINE ON INST)	A,B,D ,E, G-M	8
172	MF51594-3-2BAC		...NUTPLATE- (V15653) (SPEC BACN10YF32CD) (USED ON ITEMS 140C, 143C)	A,B,D ,E, G-M	4

57-60-11

 ILLUSTRATED PARTS LIST
 01.1 Page 1062
 Jul 01/03

 **BOEING**
COMPONENT
MAINTENANCE MANUAL

FIG. & ITEM	PART NO.	AIRLINE PART NUMBER	NOMENCLATURE 1234567	EFF CODE	QTY PER ASSY
01-173	113T6145-3		...FITTING- (USED ON ITEMS 140, 140B)	A-C,G ,J,L	1
-173A	113T6145-7		...FITTING- (USED ON ITEM 140A)	C	1
-173B	113T6145-13		...FITTING- (USED ON ITEM 140C)	A,B,G ,J,L	1
-176	113T6145-4		...FITTING- (USED ON ITEMS 143, 143B)	D-F,H ,K,M	1
-176A	113T6145-8		...FITTING- (USED ON ITEM 143A)	F	1
-176B	113T6145-14		...FITTING- (USED ON ITEM 143C)	D,E,H ,K,M	1
179	113T6111-1		..RIB ASSY- (USED ON ITEM 122)	A-C,G ,J,L	1
-182	113T6111-2		..RIB ASSY- (USED ON ITEM 125) ATTACHING PARTS	D-F,H ,K,M	1
185	BACR15FT6KE		..RIVET- (SIZE DETERMINE ON INST)	A,B,D ,E, G-M	9
188	BACB30MY6K		..BOLT- (SIZE DETERMINE ON INST)	A,B,D ,E, G-M	2
191	BACB30NW6K		..BOLT- (SIZE DETERMINE ON INST)	A,B,D ,E, G-M	5
193	NAS1399MW6-3		..RIVET	A,B,D ,E, G-M	2

57-60-11

ILLUSTRATED PARTS LIST
01.1 Page 1063
Jul 01/03

FIG. & ITEM	PART NO.	AIRLINE PART NUMBER	NOMENCLATURE 1234567	EFF CODE	QTY PER ASSY
01-194	BACF3T02H8-10		..FILLER	A,B,D E G-M	2
197	BACS40R10B10F		..SHIM	A,B,D E G-M	1
200	113T6110-73		..FILLER	A,B,D E G-M	3
203	HL79-6		..COLLAR- (V5M902) (SPEC BACC30M6) (OPT HL79-6 (V73197)) (OPT HL79-6 (V92215)) (OPT 66014-6 (V56878)) (OPT HL79-6 (V56878)) (OPT ITEM 204 USED WITH ITEM 205)	A,B,D E G-M	8
-204	HL97KG6		..COLLAR- (V5M902) (SPEC BACC30AB6C) (OPT HL97PB6 (V92215)) (OPT HL97PB6 (V56878)) (OPT HL97KG6 (V73197)) (OPT HL97KG6 (V56878)) (OPT HL97PB6 (V73197)) (OPT ITEM 203) (USED WITH ITEM 205)	A,B,D E G-M	14

57-60-11

 ILLUSTRATED PARTS LIST
 01.1 Page 1064
 Jul 01/03

BOEING
COMPONENT
MAINTENANCE MANUAL

FIG. & ITEM	PART NO.	AIRLINE PART NUMBER	NOMENCLATURE 1234567	EFF CODE	QTY PER ASSY
01-205	BACW10BP3NDP		..WASHER- (USED WITH ITEM 204) -----*-----	A,B,D ,E, G-M	14
206	BACN10JQ43CD		...NUTPLATE	A,B,D ,E, G-M	1
209	BACN10JQ33CD		...NUTPLATE	A,B,D ,E, G-M	2
212	BACR15BA3AD		ATTACHING PARTS ...RIVET- (SIZE DETERMINE ON INST) -----*-----	A,B,D ,E, G-M	6
215	113T6111-5		...ANGLE	A-C,G ,J,L	1
-218	113T6111-6		...ANGLE	D-F,H ,K,M	1
221	HL10VAZ6-3		ATTACHING PARTS ...BOLT- (V60516) (SPEC BACB30MY6K3) (OPT B30MY6K3 (V97928))	A,B,D ,E, G-M	6
222	HL440UC6-3		...BOLT- (V56878) (SPEC BACB30FM6A3) (OPT HL440UC6-3 (V73197)) (OPT HL440UC6-3 (V92215)) (OPT HL440UC6-3 (V97928)) (OPT HL440UC6-3 (V80539)) (OPT WC130-6-3 (V60516)) (OPT 67067-6A3 (V56878))	A,B,D ,E, G-M	1

57-60-11

ILLUSTRATED PARTS LIST
01.1 Page 1065
Jul 01/03

FIG. & ITEM	PART NO.	AIRLINE PART NUMBER	NOMENCLATURE 1234567	EFF CODE	QTY PER ASSY
01-224	HL79-6		...COLLAR- (V5M902) (SPEC BACC30M6) (OPT HL79-6 (V73197)) (OPT HL79-6 (V92215)) (OPT 66014-6 (V56878)) (OPT HL79-6 (V56878)) -----*-----	A,B,D ,E, G-M	7
227	113T6111-3		...RIB	A-C,G ,J,L	1
-230	113T6111-4		...RIB	D-F,H ,K,M	1
233	113T6140-1		..FITTING ASSY-HINGE (OPT ITEM 233A) (USED ON ITEM 122B)	C	1
-233A	113T6140-3		..FITTING ASSY-HINGE (OPT ITEM 233) (USED ON ITEM 122B)	C	1
-233B	113T6140-1		..FITTING ASSY-HINGE (USED ON ITEMS 122, 122A)	A-C,G ,J,L	1
-233C	113T6140-11		..FITTING ASSY-HINGE (USED ON ITEMS 122C, 122D)	A,B,G ,J,L	1
-236	113T6140-2		..FITTING ASSY-HINGE (OPT ITEM 236A) (USED ON ITEM 125B)	F	1
-236A	113T6140-4		..FITTING ASSY-HINGE (OPT ITEM 236) (USED ON ITEM 125B)	F	1
-236B	113T6140-2		..FITTING ASSY-HINGE (USED ON ITEMS 125, 125A)	D-F,H ,K,M	1
-236C	113T6140-12		..FITTING ASSY-HINGE (USED ON ITEMS 125C, 125D) ATTACHING PARTS	D,E,H ,K,M	1

57-60-11

 ILLUSTRATED PARTS LIST
 01.1 Page 1066
 Jul 01/03

BOEING
COMPONENT
MAINTENANCE MANUAL

FIG. & ITEM	PART NO.	AIRLINE PART NUMBER	NOMENCLATURE 1234567	EFF CODE	QTY PER ASSY
01-239	BACR15FT6KE		..RIVET- (SIZE DETERMINE ON INST)	A,B,D ,E, G-M	16
242	BACB30MY8K		..BOLT- (SIZE DETERMINE ON INST)	A,B,D ,E, G-M	8
248	BACB30NW8K		..BOLT- (SIZE DETERMINE ON INST)	A,B,D ,E, G-M	8
251	BACS40R11B55F		..SHIM	A,B,D ,E, G-M	1
254	HL79-8		..COLLAR- (V5M902) (SPEC BACC30M8) (OPT HL79-8 (V73197)) (OPT HL79-8 (V92215)) (OPT 66014-8 (V56878)) (OPT HL79-8 (V56878)) (OPT ITEM 255 USED WITH ITEM 256)	A,B,D ,E, G-M	16
-255	HL97KG8		..COLLAR- (V5M902) (SPEC BACC30AB8C) (OPT HL97PB8 (V92215)) (OPT HL97PB8 (V56878)) (OPT HL97KG8 (V73197)) (OPT HL97KG8 (V56878)) (OPT HL97PB8 (V73197)) (OPT ITEM 254) (USED WITH ITEM 256)	A,B,D ,E, G-M	16

57-60-11

ILLUSTRATED PARTS LIST
01.1 Page 1067
Jul 01/03

FIG. & ITEM	PART NO.	AIRLINE PART NUMBER	NOMENCLATURE 1234567	EFF CODE	QTY PER ASSY
01-256	BACW10BP4NDP		..WASHER- (USED WITH ITEM 255)	A,B,D ,E, G-M	16
			-----*-----		
257	BACB28AM19B045A		...BUSHING	A,B,D ,E, G-M	2
260	113T6140-5		...FITTING- (USED ON ITEMS 233, 233B)	A-C,G ,J,L	1
-260A	113T6140-7		...FITTING- (USED ON ITEM 233A)	C	1
-260B	113T6140-13		...FITTING- (USED ON ITEM 233C)	A,B,G ,J,L	1
-263	113T6140-6		...FITTING- (USED ON ITEMS 236, 236B)	D-F,H ,K,M	1
-263A	113T6140-8		...FITTING- (USED ON ITEM 236A)	F	1
-263B	113T6140-14		...FITTING- (USED ON ITEM 236C)	D,E,H ,K,M	1
266	113T6112-1		..RIB ASSY	A-C,G ,J,L	1
-269	113T6112-2		..RIB ASSY	D-F,H ,K,M	1
			ATTACHING PARTS		
272	BACR15FT6KE		..RIVET- (SIZE DETERMINE ON INST)	A,B,D ,E, G-M	8
275	BACB30MY6K		..BOLT- (SIZE DETERMINE ON INST)	A,B,D ,E, G-M	2
278	BACB30NW6K		..BOLT- (SIZE DETERMINE ON INST)	A,B,D ,E, G-M	1

57-60-11

 ILLUSTRATED PARTS LIST
 01.1 Page 1068
 Jul 01/03

BOEING
COMPONENT
MAINTENANCE MANUAL

FIG. & ITEM	PART NO.	AIRLINE PART NUMBER	NOMENCLATURE 1234567	EFF CODE	QTY PER ASSY
01-279	NAS1399MW6-3		..RIVET	A,B,D ,E, G-M	1
280	NAS1399MW6-4		..RIVET	A,B,D ,E, G-M	1
281	HL79-6		..COLLAR- (V5M902) (SPEC BACC30M6) (OPT HL79-6 (V73197)) (OPT HL79-6 (V92215)) (OPT 66014-6 (V56878)) (OPT HL79-6 (V56878)) (OPT ITEM 282 USED WITH ITEM 283)	A,B,D ,E, G-M	3
-282	HL97KG6		..COLLAR- (V5M902) (SPEC BACC30AB6C) (OPT HL97PB6 (V92215)) (OPT HL97PB6 (V56878)) (OPT HL97KG6 (V73197)) (OPT HL97KG6 (V56878)) (OPT HL97PB6 (V73197)) (OPT ITEM 281) (USED WITH ITEM 283)	A,B,D ,E, G-M	3
283	BACW10BP3NDP		..WASHER- (USED WITH ITEM 282)	A,B,D ,E, G-M	3
284	BACB30NW8K		..BOLT- (SIZE DETERMINE ON INST)	A,B,D ,E, G-M	5

57-60-11

ILLUSTRATED PARTS LIST
01.1 Page 1069
Jul 01/03

FIG. & ITEM	PART NO.	AIRLINE PART NUMBER	NOMENCLATURE 1234567	EFF CODE	QTY PER ASSY
01-287	BACS40R10B10F		..SHIM	A,B,D ,E, G-M	1
290	HL79-8		..COLLAR- (V5M902) (SPEC BACC30M8) (OPT HL79-8 (V73197)) (OPT HL79-8 (V92215)) (OPT 66014-8 (V56878)) (OPT HL79-8 (V56878)) (OPT ITEM 291 USED WITH ITEM 292)	A,B,D ,E, G-M	5
-291	HL97KG8		..COLLAR- (V5M902) (SPEC BACC30AB8C) (OPT HL97PB8 (V92215)) (OPT HL97PB8 (V56878)) (OPT HL97KG8 (V73197)) (OPT HL97KG8 (V56878)) (OPT HL97PB8 (V73197)) (OPT ITEM 290 USED WITH ITEM 292)	A,B,D ,E, G-M	5
292	BACW10BP4NDP		..WASHER- (USED WITH ITEM 291)	A,B,D ,E, G-M	5
293	BACN10JQ43CD		-----*----- ...NUTPLATE	A,B,D ,E, G-M	1

57-60-11

 ILLUSTRATED PARTS LIST
 01.1 Page 1070
 Jul 01/03

 **BOEING**
COMPONENT
MAINTENANCE MANUAL

FIG. & ITEM	PART NO.	AIRLINE PART NUMBER	NOMENCLATURE 1234567	EFF CODE	QTY PER ASSY
01-296	BACN10JQ33CD		...NUTPLATE	A,B,D ,E, G-M	2
299	BACR15BA3AD		ATTACHING PARTS ...RIVET- (SIZE DETERMINE ON INST)	A,B,D ,E, G-M	6
302	113T6112-3		-----*----- ...RIB	A-C,G ,J,L	1
-305	113T6112-4		...RIB	D-F,H ,K,M	1
308	BACN10JQ33CD		..NUTPLATE	A,B,D ,E, G-M	2
309	BACN10JQ43CD		..NUTPLATE	A,B,D ,E, G-M	1
311	BACR15BA3AD		ATTACHING PARTS ..RIVET- (SIZE DETERMINE ON INST)	A,B,D ,E, G-M	6
314	113T6110-51		DELETED		
-314A	113T6110-53		DELETED		
314B	113T6110-75		..ANGLE- (OPT ITEM 314C)	C	1
-314C	113T6110-77		..ANGLE- (OPT ITEM 314B)	C	1
-314D	113T6110-75		..ANGLE- (USED ON ITEM 122)	A,B,G ,J,L	1

57-60-11

ILLUSTRATED PARTS LIST
01.1 Page 1071
Jul 01/03

FIG. & ITEM	PART NO.	AIRLINE PART NUMBER	NOMENCLATURE 1234567	EFF CODE	QTY PER ASSY
01-					
-315	113T6110-52		DELETED		
-315A	113T6110-54		DELETED		
-315B	113T6110-76		..ANGLE- (OPT ITEM 315C)	F	1
-315C	113T6110-78		..ANGLE- (OPT ITEM 315B)	F	1
-315D	113T6110-76		..ANGLE- (USED ON ITEM 125) ATTACHING PARTS	D,E,H K,M	1
317	BACB30MY6K		..BOLT- (SIZE DETERMINE ON INST)	A-M	6
318	L8056A		..BOLT- (V06725) (SPEC BACB30FM6A) (OPT HL18-6A (V06725)) (SIZE DETERMINE ON INST)	A-M	1
320	BACB30NW6K		DELETED		
320A	NAS1399MW6-4		..RIVET	A-M	1
323	HL79-6		..COLLAR- (V5M902) (SPEC BACC30M6) (OPT HL79-6 (V73197)) (OPT HL79-6 (V92215)) (OPT 66014-6 (V56878)) (OPT HL79-6 (V56878)) (OPT ITEM 324 USED WITH ITEM 325)	A-M	7

57-60-11

 ILLUSTRATED PARTS LIST
 01.1 Page 1072
 Jul 01/03

 **BOEING**
COMPONENT
MAINTENANCE MANUAL

FIG. & ITEM	PART NO.	AIRLINE PART NUMBER	NOMENCLATURE 1234567	EFF CODE	QTY PER ASSY
01- -324	HL97KG6		..COLLAR- (V5M902) (SPEC BACC30AB6C) (OPT HL97PB6 (V92215)) (OPT HL97PB6 (V56878)) (OPT HL97KG6 (V73197)) (OPT HL97KG6 (V56878)) (OPT HL97PB6 (V73197)) (OPT ITEM 323) (USED WITH ITEM 325)	A-M	7
325	BACW10BP3NDP		..WASHER- (USED WITH ITEM 324)	A-M	7
326	BACB30NW8K		..BOLT- (SIZE DETERMINE ON INST)	A-M	1
329	HL79-8		..COLLAR- (V5M902) (SPEC BACC30M8) (OPT HL79-8 (V73197)) (OPT HL79-8 (V92215)) (OPT 66014-8 (V56878)) (OPT HL79-8 (V56878)) (OPT ITEM 330 USED WITH ITEM 331)	A-M	1

57-60-11

ILLUSTRATED PARTS LIST
01.1 Page 1073
Jul 01/03

FIG. & ITEM	PART NO.	AIRLINE PART NUMBER	NOMENCLATURE 1234567	EFF CODE	QTY PER ASSY
01-330	HL97KG8		..COLLAR- (V5M902) (SPEC BACC30AB8C) (OPT HL97PB8 (V92215)) (OPT HL97PB8 (V56878)) (OPT HL97KG8 (V73197)) (OPT HL97KG8 (V56878)) (OPT HL97PB8 (V73197)) (OPT ITEM 329) (USED WITH ITEM 331)	A-M	1
331	BACW10BP4NDP		..WASHER- (USED WITH ITEM 330) -----*	A-M	1
332	113T6110-47		..ANGLE	A,B,D ,E, G-M	4
335	113T6110-48		..ANGLE	A,B,D ,E, G-M	4
338	BACB30MY6K		ATTACHING PARTS ..BOLT- (SIZE DETERMINE ON INST)	A,B,D ,E, G-M	32
341	BACS40R07E15F		..SHIM	A,B,D ,E, G-M	8
344	HL79-6		..COLLAR- (V5M902) (SPEC BACC30M6) (OPT HL79-6 (V73197)) (OPT HL79-6 (V92215)) (OPT 66014-6 (V56878)) (OPT HL79-6 (V56878)) (OPT ITEM 345 USED WITH ITEM 346)	A,B,D ,E, G-M	32

57-60-11

 ILLUSTRATED PARTS LIST
 01.1 Page 1074
 Jul 01/03

 **BOEING**
COMPONENT
MAINTENANCE MANUAL

FIG. & ITEM	PART NO.	AIRLINE PART NUMBER	NOMENCLATURE 1234567	EFF CODE	QTY PER ASSY
01-345	HL97KG6		..COLLAR- (V5M902) (SPEC BACC30AB6C) (OPT HL97PB6 (V92215)) (OPT HL97PB6 (V56878)) (OPT HL97KG6 (V73197)) (OPT HL97KG6 (V56878)) (OPT HL97PB6 (V73197)) (OPT ITEM 344) (USED WITH ITEM 346)	A,B,D ,E, G-M	32
346	BACW10BP3NDP		..WASHER- (USED WITH ITEM 345) -----*-----	A,B,D ,E, G-M	32
347	113T6142-1		..FITTING ASSY-ACTR (OPT ITEM 347A) (USED ON ITEM 122B)	C	1
-347A	113T6142-5		..FITTING ASSY-ACTR (OPT ITEM 347) (USED ON ITEM 122B)	C	1
-347B	113T6142-1		..FITTING ASSY-ACTR (USED ON ITEM 122A)	A-C,G ,J,L	1
-347C	113T6142-10		..FITTING ASSY-ACTR (USED ON ITEMS 122C, 122D)	A,B,G ,J,L	1
-350	113T6142-2		..FITTING ASSY-ACTR (OPT ITEM 350A) (USED ON ITEM 125B)	F	1
-350A	113T6142-6		..FITTING ASSY-ACTR (OPT ITEM 350) (USED ON ITEM 125B)	F	1
-350B	113T6142-2		..FITTING ASSY-ACTR (USED ON ITEM 125A)	D-F,H ,K,M	1
-350C	113T6142-11		..FITTING ASSY-ACTR (USED ON ITEMS 125C, 125D)	D,E,H ,K,M	1
353	BACR15FT6KE		ATTACHING PARTS ..RIVET- (SIZE DETERMINE ON INST)	A,B,D ,E, G-M	6

57-60-11

ILLUSTRATED PARTS LIST
01.1 Page 1075
Jul 01/03

FIG. & ITEM	PART NO.	AIRLINE PART NUMBER	NOMENCLATURE 1234567	EFF CODE	QTY PER ASSY
01-354	L8056A		..BOLT- (V06725) (SPEC BACB30FM6A) (OPT HL18-6A (V06725)) (SIZE DETERMINE ON INST)	A,B,D ,E, G-M	2
354G	BACB30MY6		..BOLT- (SIZE DETERMINE ON INST)	A,B,D ,E, G-M	4
355	HL79-6		..COLLAR- (V5M902) (SPEC BACC30M6) (OPT HL79-6 (V73197)) (OPT HL79-6 (V92215)) (OPT 66014-6 (V56878)) (OPT HL79-6 (V56878)) (OPT ITEM 355G USED WITH ITEM 355K)	A,B,D ,E, G-M	6
-355G	HL97KG6		..COLLAR- (V5M902) (SPEC BACC30AB6C) (OPT HL97PB6 (V92215)) (OPT HL97PB6 (V56878)) (OPT HL97KG6 (V73197)) (OPT HL97KG6 (V56878)) (OPT HL97PB6 (V73197)) (OPT ITEM 355) (USED WITH ITEM 355K)	A,B,D ,E, G-M	2
-355K	BACW10BP3NDP		..WASHER- (USED WITH ITEM 355G)	A,B,D ,E, G-M	2

57-60-11

 ILLUSTRATED PARTS LIST
 01.1 Page 1076
 Jul 01/03

 **BOEING**
COMPONENT
MAINTENANCE MANUAL

FIG. & ITEM	PART NO.	AIRLINE PART NUMBER	NOMENCLATURE	EFF CODE	QTY PER ASSY
			1234567		
01-356	HL11VAZ10-9		..BOLT- (V56878) (SPEC BACB30NW10K9) (OPT B30NW10K9 (V97928)) (OPT HL11VAZ10-9 (V73197)) (OPT HL11VAZ10-9 (V92215)) (OPT HL11VAZ10-9 (V97928)) (OPT L803-10K9 (V06725)) (OPT HL11VAZ10-9 (V0PTK6)) (OPT HL11VAZ10-9 (V60516)) (ITEM 356B OPT TO ITEMS 356A PLUS 361N PLUS 361A OPT TO ITEMS 356 PLUS 359. ITEM 359 OPT TO ITEMS 360 PLUS 361)	A,B,D E, G-M	16
-356A	BACB30NU5K9		..BOLT- (ITEM 356B OPT TO ITEMS 356A PLUS 361N PLUS 361A OPT TO ITEMS 356 PLUS 359. ITEM 359 OPT TO ITEMS 360 PLUS 361)	A,B,D E, G-M	16

57-60-11

ILLUSTRATED PARTS LIST
01.1 Page 1077
Jul 01/03

FIG. & ITEM	PART NO.	AIRLINE PART NUMBER	NOMENCLATURE 1234567	EFF CODE	QTY PER ASSY
01- -356B	L804-10K10		..BOLT- (V06725) (SPEC BACB30NZ10K10) (OPT HL523AZ10-10 (V0PTK6)) (OPT HL523AZ10-10 (V56878)) (OPT HL523AZ10-10 (V73197)) (OPT HL523AZ10-10 (V92215)) (OPT HL523AZ10-10 (V97928)) (OPT HL523AZ10-10 (V06725)) (OPT HL523AZ10-10 (V60516)) (ITEM 356B OPT TO ITEMS 356A PLUS 361N PLUS 361A OPT TO ITEMS 356 PLUS 359. ITEM 359 OPT TO ITEMS 360 PLUS 361)	A,B,D E, G-M	16
359	HL79-10		..COLLAR- (V5M902) (SPEC BACC30M10) (OPT HL79-10 (V73197)) (OPT HL79-10 (V92215)) (OPT 66014-10 (V56878)) (OPT HL79-10 (V56878)) (ITEM 356B OPT TO ITEMS 356A PLUS 361N PLUS 361A OPT TO ITEMS 356 PLUS 359. ITEM 359 OPT TO ITEMS 360 PLUS 361)	A,B,D E, G-M	16

57-60-11

 ILLUSTRATED PARTS LIST
 01.1 Page 1078
 Jul 01/03

 **BOEING**
COMPONENT
MAINTENANCE MANUAL

FIG. & ITEM	PART NO.	AIRLINE PART NUMBER	NOMENCLATURE 1234567	EFF CODE	QTY PER ASSY
01- -360	HL97KG10		..COLLAR- (V5M902) (SPEC BACC30AB10C) (OPT HL97PB10 (V5M902)) (OPT HL97PB10 (V56878)) (OPT HL97KG10 (V73197)) (OPT HL97KG10 (V56878)) (ITEM 356B OPT TO ITEMS 356A PLUS 361N PLUS 361A OPT TO ITEMS 356 PLUS 359. ITEM 359 OPT TO ITEMS 360 PLUS 361)	A,B,D ,E, G-M	16
361	BACW10BP5DP		..WASHER- (ITEM 356B OPT TO ITEMS 356A PLUS 361N PLUS 361A OPT TO ITEMS 356 PLUS 359. ITEM 359 OPT TO ITEMS 360 PLUS 361)	A,B,D ,E, G-M	16
-361A	AN960PD516		..WASHER- (ITEM 356B OPT TO ITEMS 356A PLUS 361N PLUS 361A OPT TO ITEMS 356 PLUS 359. ITEM 359 OPT TO ITEMS 360 PLUS 361)	A,B,D ,E, G-M	16
361N	BRH10C5D		..NUT- (V52828) (SPEC BACN10JC5CD) (OPT T6C524JCD (V11815)) (OPT 102LH9075-5W (V72962)) (OPT H51650-5BAC (V15653)) (ITEM 356B OPT TO ITEMS 356A PLUS 361N PLUS 361A OPT TO ITEMS 356 PLUS 359. ITEM 359 OPT TO ITEMS 360 PLUS 361) -----*	A,B,D ,E, G-M	16

57-60-11

ILLUSTRATED PARTS LIST
01.1 Page 1079
Jul 01/03

FIG. & ITEM	PART NO.	AIRLINE PART NUMBER	NOMENCLATURE 1234567	EFF CODE	QTY PER ASSY
01-362	BACB28AP16P058		...BUSHING	A,B,D E G-M	2
365	BACB28AM22B060A		...BUSHING	A,B,D E G-M	2
368	113T6142-3		...FITTING- (USED ON ITEMS 347, 347B)	A-C,G J,L	1
-368A	113T6142-7		...FITTING- (USED ON ITEM 347A)	C	1
-368B	113T6142-12		...FITTING- (USED ON ITEM 347C)	A,B,G J,L	1
-371	113T6142-4		...FITTING- (USED ON ITEMS 350, 350B)	D-F,H K,M	1
-371A	113T6142-8		...FITTING- (USED ON ITEM 350A)	F	1
-371B	113T6142-13		...FITTING- (USED ON ITEM 350C)	D,E,H K,M	1
374	113T6141-1		..FITTING ASSY-ACTR (OPT ITEM 374A) (USED ON ITEM 122B)	C	1
-374A	113T6141-5		..FITTING ASSY-ACTR (OPT ITEM 374) (USED ON ITEM 122B)	C	1
-374B	113T6141-1		..FITTING ASSY-ACTR (USED ON ITEM 122A)	A-C,G J,L	1
-374C	113T6141-10		..FITTING ASSY-ACTR (USED ON ITEMS 122C, 122D)	A,B,G J,L	1

57-60-11

 ILLUSTRATED PARTS LIST
 01.1 Page 1080
 Jul 01/03

 **BOEING**
COMPONENT
MAINTENANCE MANUAL

FIG. & ITEM	PART NO.	AIRLINE PART NUMBER	NOMENCLATURE 1234567	EFF CODE	QTY PER ASSY
01- -377	113T6141-2		..FITTING ASSY-ACTR (OPT ITEM 377A) (USED ON ITEM 125B)	F	1
-377A	113T6141-6		..FITTING ASSY-ACTR (OPT ITEM 377) (USED ON ITEM 125B)	F	1
-377B	113T6141-2		..FITTING ASSY-ACTR (USED ON ITEM 125A)	D-F,H ,K,M	1
-377C	113T6141-11		..FITTING ASSY-ACTR (USED ON ITEMS 125C, 125D)	D,E,H ,K,M	1
380	BACR15FT6KE		ATTACHING PARTS ..RIVET- (SIZE DETERMINE ON INST)	A,B,D ,E, G-M	5
381	L8056A		..BOLT- (V06725) (SPEC BACB30FM6A) (OPT HL18-6A (V06725)) (SIZE DETERMINE ON INST)	A,B,D ,E, G-M	2
381G	BACB30MY6K		..BOLT- (SIZE DETERMINE ON INST)	A,B,D ,E, G-M	3

57-60-11

ILLUSTRATED PARTS LIST
01.1 Page 1080A
Jul 01/03

FIG. & ITEM	PART NO.	AIRLINE PART NUMBER	NOMENCLATURE 1234567	EFF CODE	QTY PER ASSY
01-382	HL79-6		..COLLAR- (V5M902) (SPEC BACC30M6) (OPT HL79-6 (V73197)) (OPT HL79-6 (V92215)) (OPT 66014-6 (V56878)) (OPT HL79-6 (V56878)) (OPT ITEM 382G USED WITH ITEM 382K)	A,B,D ,E, G-M	5
-382G	HL97KG6		..COLLAR- (V5M902) (SPEC BACC30AB6C) (OPT HL97PB6 (V92215)) (OPT HL97PB6 (V56878)) (OPT HL97KG6 (V73197)) (OPT HL97KG6 (V56878)) (OPT HL97PB6 (V73197)) (OPT ITEM 382) (USED WITH ITEM 382K)	A,B,D ,E, G-M	5
-382K	BACW10BP3NDP		..WASHER- (USED WITH ITEM 382G)	A,B,D ,E, G-M	5

57-60-11

 ILLUSTRATED PARTS LIST
 01.1 Page 1080B
 Jul 01/03

 **BOEING**
COMPONENT
MAINTENANCE MANUAL

FIG. & ITEM	PART NO.	AIRLINE PART NUMBER	NOMENCLATURE 1234567	EFF CODE	QTY PER ASSY
01-383	HL11VAZ10-9		..BOLT- (V56878) (SPEC BACB30NW10K9) (OPT B30NW10K9 (V97928)) (OPT HL11VAZ10-9 (V73197)) (OPT HL11VAZ10-9 (V92215)) (OPT HL11VAZ10-9 (V97928)) (OPT L803-10K9 (V06725)) (OPT HL11VAZ10-9 (V0PTK6)) (OPT HL11VAZ10-9 (V60516))	A,B,D ,E, G-M	16
386	HL79-10		..COLLAR- (V5M902) (SPEC BACC30M10) (OPT HL79-10 (V73197)) (OPT HL79-10 (V92215)) (OPT 66014-10 (V56878)) (OPT HL79-10 (V56878)) (OPT ITEM 387 USED WITH ITEM 388)	A,B,D ,E, G-M	16

57-60-11

ILLUSTRATED PARTS LIST
01.1 Page 1080C
Jul 01/03

FIG. & ITEM	PART NO.	AIRLINE PART NUMBER	NOMENCLATURE 1234567	EFF CODE	QTY PER ASSY
01-387	HL97KG10		..COLLAR- (V5M902) (SPEC BACC30AB10C) (OPT HL97PB10 (V5M902)) (OPT HL97PB10 (V56878)) (OPT HL97KG10 (V73197)) (OPT HL97KG10 (V56878)) (OPT ITEM 386) (USED WITH ITEM 388)	A,B,D ,E, G-M	16
388	BACW10BP5DP		..WASHER- (USED WITH ITEM 387)	A,B,D ,E, G-M	16
			-----*-----		
389	BACB28AP16P058		...BUSHING	A,B,D ,E, G-M	2
392	BACB28AM22B060A		...BUSHING	A,B,D ,E, G-M	2
395	113T6141-3		...FITTING- (USED ON ITEMS 374, 374B)	A-C,G ,J,L	1
-395A	113T6141-7		...FITTING- (USED ON ITEM 374A)	C	1
-395B	113T6141-12		...FITTING- (USED ON ITEM 374C)	A,B,G ,J,L	1
-398	113T6141-4		...FITTING- (USED ON ITEMS 377, 377B)	D-F,H ,K,M	1
-398A	113T6141-8		...FITTING- (USED ON ITEM 377A)	F	1
-398B	113T6141-13		...FITTING- (USED ON ITEM 377C)	D,E,H ,K,M	1
401	113T6113-1		DELETED		

57-60-11

 ILLUSTRATED PARTS LIST
 01.1 Page 1080D
 Jul 01/03

 **BOEING**
COMPONENT
MAINTENANCE MANUAL

FIG. & ITEM	PART NO.	AIRLINE PART NUMBER	NOMENCLATURE 1234567	EFF CODE	QTY PER ASSY
01-401A	113T6113-5		..RIB ASSY	A-C,G ,J,L	1
-404	113T6113-2		DELETED		
-404A	113T6113-6		..RIB ASSY	D-F,H ,K,M	1
			ATTACHING PARTS		
407	BACR15FT6KE		..RIVET- (SIZE DETERMINE ON INST)	A,B,D ,E, G-M	6
410	BACB30MY6K		..BOLT- (SIZE DETERMINE ON INST)	A,B,D ,E, G-M	2
413	BACB30NW6K		..BOLT- (SIZE DETERMINE ON INST)	A,B,D ,E, G-M	1
416	HL79-6		..COLLAR- (V5M902) (SPEC BACC30M6) (OPT HL79-6 (V73197)) (OPT HL79-6 (V92215)) (OPT 66014-6 (V56878)) (OPT HL79-6 (V56878)) (OPT ITEM 417 USED WITH ITEM 418)	A,B,D ,E, G-M	4
-417	HL97KG6		..COLLAR- (V5M902) (SPEC BACC30AB6C) (OPT HL97PB6 (V92215)) (OPT HL97PB6 (V56878)) (OPT HL97KG6 (V73197)) (OPT HL97KG6 (V56878)) (OPT HL97PB6 (V73197)) (OPT ITEM 416) (USED WITH ITEM 418)	A,B,D ,E, G-M	4

57-60-11

ILLUSTRATED PARTS LIST
01.1 Page 1080E
Jul 01/03

FIG. & ITEM	PART NO.	AIRLINE PART NUMBER	NOMENCLATURE 1234567	EFF CODE	QTY PER ASSY
01-418	BACW10BP3NDP		..WASHER- (USED WITH ITEM 417)	A,B,D ,E, G-M	4
419	BACB30NW8K		..BOLT- (SIZE DETERMINE ON INST)	A,B,D ,E, G-M	2
420	NAS1399MW6-3		..RIVET	A,B,D ,E, G-M	1
421	NAS1399MW6-4		..RIVET	A,B,D ,E, G-M	1
422	BACS40R10B10F		..SHIM	A,B,D ,E, G-M	1
425	HL79-8		..COLLAR- (V5M902) (SPEC BACC30M8) (OPT HL79-8 (V73197)) (OPT HL79-8 (V92215)) (OPT 66014-8 (V56878)) (OPT HL79-8 (V56878)) (OPT ITEM 426A USED WITH ITEM 427)	A,B,D ,E, G-M	2
-426 -426A	BACC30A38C HL97KG8		DELETED ..COLLAR- (V5M902) (SPEC BACC30AB8C) (OPT HL97PB8 (V92215)) (OPT HL97PB8 (V56878)) (OPT HL97KG8 (V73197)) (OPT HL97KG8 (V56878)) (OPT HL97PB8 (V73197)) (OPT ITEM 425) (USED WITH ITEM 427)	A,B,D ,E, G-M	2

57-60-11

 ILLUSTRATED PARTS LIST
 01.1 Page 1080F
 Jul 01/03

BOEING
COMPONENT
MAINTENANCE MANUAL

FIG. & ITEM	PART NO.	AIRLINE PART NUMBER	NOMENCLATURE 1234567	EFF CODE	QTY PER ASSY
01-427	BACW10BP4NDP		..WASHER- (USED WITH ITEM 426A) -----*-----	A,B,D ,E, G-M	2
428	BACN10JQ43CD		...NUTPLATE	A,B,D ,E, G-M	1
431	BACN10JQ33CD		...NUTPLATE	A,B,D ,E, G-M	2
434	BACR15BA3AD		ATTACHING PARTS ...RIVET- (SIZE DETERMINE ON INST) -----*-----	A,B,D ,E, G-M	6
437	113T6113-3		...RIB	A-C,G ,J,L	1
-440	113T6113-4		...RIB	D-F,H ,K,M	1
443	BACN10JQ33CD		..NUTPLATE	A,B,D ,E, G-M	2
444	BACN10JQ43CD		..NUTPLATE	A,B,D ,E, G-M	1
446	BACR15BA3AD		ATTACHING PARTS ...RIVET- (SIZE DETERMINE ON INST) -----*-----	A,B,D ,E, G-M	6

57-60-11

ILLUSTRATED PARTS LIST
01.1 Page 1080G
Jul 01/03

FIG. & ITEM	PART NO.	AIRLINE PART NUMBER	NOMENCLATURE 1234567	EFF CODE	QTY PER ASSY
01-					
449	113T6110-55		DELETED		
-449A	113T6110-57		DELETED		
449B	113T6110-79		..ANGLE- (OPT ITEM 449C)	C	1
-449C	113T6110-81		..ANGLE- (OPT ITEM 449B)	C	1
-449D	113T6110-79		..ANGLE- (USED ON ITEM 122)	A,B,G ,J,L	1
-452	113T6110-56		DELETED		
-452A	113T6110-58		DELETED		
-452B	113T6110-80		..ANGLE- (OPT ITEM 452D)	F	1
-452C	113TL110-82		DELETED		
-452D	113T6110-82		..ANGLE- (OPT ITEM 452B)	F	1
-452E	113T6110-80		..ANGLE- (USED ON ITEM 125) ATTACHING PARTS	D,E,H ,K,M	1
455	BACB30MY6K		..BOLT- (SIZE DETERMINE ON INST)	A-M	5
456	L8056A		..BOLT- (V06725) (SPEC BACB30FM6A) (OPT HL18-6A (V06725)) (SIZE DETERMINE ON INST)	A-M	1
458	BACB30NW6K		DELETED		
458A	NAS1399MW6-4		..RIVET	A-M	1
461	HL79-6		..COLLAR- (V5M902) (SPEC BACC30M6) (OPT HL79-6 (V73197)) (OPT HL79-6 (V92215)) (OPT 66014-6 (V56878)) (OPT HL79-6 (V56878)) (OPT ITEM 462 USED WITH ITEM 463)	A-M	6

57-60-11

 ILLUSTRATED PARTS LIST
 01.1 Page 1080H
 Jul 01/03

 **BOEING**
COMPONENT
MAINTENANCE MANUAL

FIG. & ITEM	PART NO.	AIRLINE PART NUMBER	NOMENCLATURE 1234567	EFF CODE	QTY PER ASSY
01- -462	HL97KG6		..COLLAR- (V5M902) (SPEC BACC30AB6C) (OPT HL97PB6 (V92215)) (OPT HL97PB6 (V56878)) (OPT HL97KG6 (V73197)) (OPT HL97KG6 (V56878)) (OPT HL97PB6 (V73197)) (OPT ITEM 461) (USED WITH ITEM 463) -----*	A-M	6
463	BACW10BP3NDP		..WASHER- (USED WITH ITEM 462) ATTACHING PARTS	A-M	6
464	BACB30NW8K		..BOLT- (SIZE DETERMINE ON INST)	A-M	1
467	HL79-8		..COLLAR- (V5M902) (SPEC BACC30M8) (OPT HL79-8 (V73197)) (OPT HL79-8 (V92215)) (OPT 66014-8 (V56878)) (OPT HL79-8 (V56878)) (OPT ITEM 468 USED WITH ITEM 469)	A-M	1

57-60-11

ILLUSTRATED PARTS LIST
01.1 Page 1080I
Jul 01/03

FIG. & ITEM	PART NO.	AIRLINE PART NUMBER	NOMENCLATURE 1234567	EFF CODE	QTY PER ASSY
01- -468	HL97KG8		..COLLAR- (V5M902) (SPEC BACC30AB8C) (OPT HL97PB8 (V92215)) (OPT HL97PB8 (V56878)) (OPT HL97KG8 (V73197)) (OPT HL97KG8 (V56878)) (OPT HL97PB8 (V73197)) (OPT ITEM 467) (USED WITH ITEM 469)	A-M	1
469	BACW10BP4NDP		..WASHER- (USED WITH ITEM 468) -----*	A-M	1
470	113T6143-1		..FITTING ASSY-HINGE (OPT ITEM 470A) (USED ON ITEM 122B)	C	1
-470A	113T6143-5		..FITTING ASSY-HINGE (OPT ITEM 470) (USED ON ITEM 122B)	C	1
-470B	113T6143-1		..FITTING ASSY-HINGE (USED ON ITEMS 122A, 122C, 122D)	A-C,G ,J,L	1
-473	113T6143-2		..FITTING ASSY-HINGE (OPT ITEM 473A) (USED ON ITEM 125B)	F	1
-473A	113T6143-6		..FITTING ASSY-HINGE (OPT ITEM 473) (USED ON ITEM 125B)	F	1
-473B	113T6143-2		..FITTING ASSY-HINGE (USED ON ITEMS 125A, 125C, 125D)	D-F,H ,K,M	1
476	BACR15FT6KE		ATTACHING PARTS ..RIVET- (SIZE DETERMINE ON INST)	A,B,D ,E, G-M	12
479	BACB30MY8K		..BOLT- (SIZE DETERMINE ON INST)	A,B,D ,E, G-M	8

57-60-11

 ILLUSTRATED PARTS LIST
 01.1 Page 1080J
 Jul 01/03

BOEING
COMPONENT
MAINTENANCE MANUAL

FIG. & ITEM	PART NO.	AIRLINE PART NUMBER	NOMENCLATURE 1234567	EFF CODE	QTY PER ASSY
01-482	BACB30NW8K		..BOLT- (SIZE DETERMINE ON INST)	A,B,D ,E, G-M	8
485	BACS40R11B55F		..SHIM	A,B,D ,E, G-M	1
488	HL79-8		..COLLAR- (V5M902) (SPEC BACC30M8) (OPT HL79-8 (V73197)) (OPT HL79-8 (V92215)) (OPT 66014-8 (V56878)) (OPT HL79-8 (V56878)) (OPT ITEM 489 USED WITH ITEM 490)	A,B,D ,E, G-M	16
-489	HL97KG8		..COLLAR- (V5M902) (SPEC BACC30AB8C) (OPT HL97PB8 (V92215)) (OPT HL97PB8 (V56878)) (OPT HL97KG8 (V73197)) (OPT HL97KG8 (V56878)) (OPT HL97PB8 (V73197)) (OPT ITEM 488) (USED WITH ITEM 490)	A,B,D ,E, G-M	16

57-60-11

ILLUSTRATED PARTS LIST
01.1 Page 1080K
Jul 01/03

FIG. & ITEM	PART NO.	AIRLINE PART NUMBER	NOMENCLATURE 1234567	EFF CODE	QTY PER ASSY
01-490	BACW10BP4NDP		..WASHER- (USED WITH ITEM 489)	A,B,D ,E, G-M	16
			-----*-----		
491	BACB28AM19B045A		...BUSHING	A,B,D ,E, G-M	1
494	BACB28AP14P043		...BUSHING	A,B,D ,E, G-M	1
497	113T6143-3		...FITTING- (USED ON ITEMS 470, 470B)	A-C,G ,J,L	1
-497A	113T6143-7		...FITTING- (USED ON ITEM 470A)	C	1
-500	113T6143-4		...FITTING- (USED ON ITEMS 473, 473B)	D-F,H ,K,M	1
-500A	113T6143-8		...FITTING- (USED ON ITEM 473A)	F	1
503	113T6114-1		..RIB ASSY- (USED ON ITEM 122)	A-C,G ,J,L	1
-506	113T6114-2		..RIB ASSY- (USED ON ITEM 125)	D-F,H ,K,M	1
509	BACR15FT6KE		ATTACHING PARTS ..RIVET- (SIZE DETERMINE ON INST)	A-M	6
512	BACB30MY6K		..BOLT- (SIZE DETERMINE ON INST)	A-M	3

57-60-11

 ILLUSTRATED PARTS LIST
 01.1 Page 1080L
 Jul 01/03

BOEING
COMPONENT
MAINTENANCE MANUAL

FIG. & ITEM	PART NO.	AIRLINE PART NUMBER	NOMENCLATURE 1234567	EFF CODE	QTY PER ASSY
01-515	BACB30NW6K		..BOLT- (SIZE DETERMINE ON INST)	A-M	6
516	NAS1399MW6-3		..RIVET	A-M	2
518	113T6110-73		..FILLER	A-M	3
521	BACF3T02H8-10		..FILLER	A-M	2
524	BACS40R10B10F		..SHIM	A-M	1
527	HL79-6		..COLLAR- (V5M902) (SPEC BACC30M6) (OPT HL79-6 (V73197)) (OPT HL79-6 (V92215)) (OPT 66014-6 (V56878)) (OPT HL79-6 (V56878)) (OPT ITEM 528 USED WITH ITEM 529)	A-M	9
-528	HL97KG6		..COLLAR- (V5M902) (SPEC BACC30AB6C) (OPT HL97PB6 (V92215)) (OPT HL97PB6 (V56878)) (OPT HL97KG6 (V73197)) (OPT HL97KG6 (V56878)) (OPT HL97PB6 (V73197)) (OPT ITEM 527) (USED WITH ITEM 529)	A-M	9
529	BACW10BP3NDP		..WASHER- (USED WITH ITEM 528) -----*	A-M	9
530	BACN10JQ43CD		...NUTPLATE	A-M	1
533	BACN10JQ33CD		...NUTPLATE ATTACHING PARTS	A-M	2

57-60-11

ILLUSTRATED PARTS LIST
01.1 Page 1080M
Jul 01/03

FIG. & ITEM	PART NO.	AIRLINE PART NUMBER	NOMENCLATURE 1234567	EFF CODE	QTY PER ASSY
01-536	BACR15BA3AD		...RIVET- (SIZE DETERMINE ON INST) -----*-----	A-M	6
539	113T6114-5		...ANGLE	A-C,G	1
-542	113T6114-6		...ANGLE	J,L D-F,H K,M	1
545	HL10VAZ6-3		ATTACHING PARTS ...BOLT- (V60516) (SPEC BACB30MY6K3) (OPT B30MY6K3 (V97928))	A-M	6
546	HL440UC6-3		...BOLT- (V56878) (SPEC BACB30FM6A3) (OPT HL440UC6-3 (V73197)) (OPT HL440UC6-3 (V92215)) (OPT HL440UC6-3 (V97928)) (OPT HL440UC6-3 (V80539)) (OPT WC130-6-3 (V60516)) (OPT 67067-6A3 (V56878))	A-M	1
548	HL79-6		...COLLAR- (V5M902) (SPEC BACC30M6) (OPT HL79-6 (V73197)) (OPT HL79-6 (V92215)) (OPT 66014-6 (V56878)) (OPT HL79-6 (V56878)) -----*-----	A-M	7

57-60-11

 ILLUSTRATED PARTS LIST
 01.1 Page 1080N
 Jul 01/03

 **BOEING**
COMPONENT
MAINTENANCE MANUAL

FIG. & ITEM	PART NO.	AIRLINE PART NUMBER	NOMENCLATURE 1234567	EFF CODE	QTY PER ASSY
01-551	113T6114-3		...RIB	A-C,G ,J,L	1
-554	113T6114-4		...RIB	D-F,H ,K,M	1
557	113T6144-1		..FITTING ASSY-OUTBD FAIL SAFE HINGE SPRT (OPT ITEM 557A) (USED ON ITEM 122B)	C	1
-557A	113T6146-1		..FITTING ASSY-OUTBD FAIL SAFE HINGE SPRT (OPT ITEM 557) (USED ON ITEM 122B)	C	1
-557B	113T6144-1		..FITTING ASSY-OUTBD FAIL SAFE HINGE SPRT (USED ON ITEMS 122, 122A)	A-C,J ,L	1
-557C	113T6144-9		..FITTING ASSY-OUTBD FAIL SAFE HINGE SPRT (USED ON ITEMS 122C, 122D)	A,B,G ,J,L	1
-560	113T6144-2		..FITTING ASSY-OUTBD FAIL SAFE HINGE SPRT (OPT ITEM 560A) (USED ON ITEM 125B)	F	1
-560A	113T6146-2		..FITTING ASSY-OUTBD FAIL SAFE HINGE SPRT (OPT ITEM 560) (USED ON ITEM 125B)	F	1
-560B	113T6144-2		..FITTING ASSY-OUTBD FAIL SAFE HINGE SPRT (USED ON ITEMS 125, 125A)	D-F,H ,K,M	1
-560C	113T6144-10		..FITTING ASSY-OUTBD FAIL SAFE HINGE SPRT (USED ON ITEMS 125C, 125D) ATTACHING PARTS	D,E,H ,K,M	1

57-60-11

ILLUSTRATED PARTS LIST
01.1 Page 10800
Jul 01/03

FIG. & ITEM	PART NO.	AIRLINE PART NUMBER	NOMENCLATURE 1234567	EFF CODE	QTY PER ASSY
01-563	BACR15FT6KE		..RIVET- (SIZE DETERMINE ON INST)	A,B,D ,E, G-M	5
566	BACB30MY6K		..BOLT- (SIZE DETERMINE ON INST)	A,B,D ,E, G-M	2
569	BACB30NW6K		..BOLT- (SIZE DETERMINE ON INST)	A,B,D ,E, G-M	1
570	NAS1399MW6-4		..RIVET	A,B,D ,E, G-M	1
572	BACS40R09B31F		..SHIM	A,B,D ,E, G-M	1
575	HL79-6		..COLLAR- (V5M902) (SPEC BACC30M6) (OPT HL79-6 (V73197)) (OPT HL79-6 (V92215)) (OPT 66014-6 (V56878)) (OPT HL79-6 (V56878)) (OPT ITEM 576 USED WITH ITEM 577)	A,B,D ,E, G-M	3
-576	HL97KG6		..COLLAR- (V5M902) (SPEC BACC30AB6C) (OPT HL97PB6 (V92215)) (OPT HL97PB6 (V56878)) (OPT HL97KG6 (V73197)) (OPT HL97KG6 (V56878)) (OPT HL97PB6 (V73197)) (OPT ITEM 575) (USED WITH IREM 577)	A,B,D ,E, G-M	3

57-60-11

 ILLUSTRATED PARTS LIST
 01.1 Page 1080P
 Jul 01/03

BOEING
COMPONENT
MAINTENANCE MANUAL

FIG. & ITEM	PART NO.	AIRLINE PART NUMBER	NOMENCLATURE 1234567	EFF CODE	QTY PER ASSY
01-577	BACW10BP3NDP		..WASHER- (USED WITH ITEM 576)	A,B,D ,E, G-M	3
578	BACB30NW8K		..BOLT- (SIZE DETERMINE ON INST)	A,B,D ,E, G-M	4
581	BACS40R10B19F		..SHIM	A,B,D ,E, G-M	1
584	HL79-8		..COLLAR- (V5M902) (SPEC BACC30M8) (OPT HL79-8 (V73197)) (OPT HL79-8 (V92215)) (OPT 66014-8 (V56878)) (OPT HL79-8 (V56878)) (OPT ITEM 585 USED WITH ITEM 586)	A,B,D ,E, G-M	4
-585	HL97KG8		..COLLAR- (V5M902) (SPEC BACC30AB8C) (OPT HL97PB8 (V92215)) (OPT HL97PB8 (V56878)) (OPT HL97KG8 (V73197)) (OPT HL97KG8 (V56878)) (OPT HL97PB8 (V73197)) (OPT ITEM K84) (USED WITH ITEM 586)	A,B,D ,E, G-M	8

57-60-11

ILLUSTRATED PARTS LIST
01.1 Page 1080Q
Jul 01/03

FIG. & ITEM	PART NO.	AIRLINE PART NUMBER	NOMENCLATURE 1234567	EFF CODE	QTY PER ASSY
01-586	BACW10BP4NDP		..WASHER- (USED WITH ITEM 585)	A,B,D ,E, G-M	4
			-----*-----		
587	BACB28AP08P178		...BUSHING	A,B,D ,E, G-M	1
589	BACR15BA3AD		...RIVET- (USED ON ITEMS 557C, 560C)	A,B,D ,E, G-M	6
589G	MF51594-3-2BAC		...NUTPLATE- (V15653) (SPEC BACN10YF32CD) (USED ON ITEMS 557C, 560C)	A,B,D ,E, G-M	3
590	113T6144-3		...FITTING- (USED ON ITEMS 557, 557B)	A-C,G ,J,L	1
-590A	113T6146-3		...FITTING- (USED ON ITEM 557A)	C	1
-590B	113T6144-11		...FITTING- (USED ON ITEM 557C)	A,B,G ,J,L	1
-593	113T6144-4		...FITTING- (USED ON ITEMS 560, 560B)	D-F,H ,K,M	1
-593A	113T6146-4		...FITTING- (USED ON ITEM 560A)	F	1
-593B	113T6144-12		...FITTING- (USED ON ITEM 560C)	D,E,H ,K,M	1
596	113T6110-7		..SPAR ASSY- (USED ON ITEM 122)	A,B,G ,J,L	1
-596A	113T6110-9		..SPAR ASSY	C	1
-596B	113T6110-95		..SPAR ASSY- (USED ON ITEMS 122C, 122D)	A,B,G ,J,L	1

57-60-11

 ILLUSTRATED PARTS LIST
 01.1 Page 1080R
 Jul 01/03

 **BOEING**
COMPONENT
MAINTENANCE MANUAL

FIG. & ITEM	PART NO.	AIRLINE PART NUMBER	NOMENCLATURE 1234567	EFF CODE	QTY PER ASSY
01- -599	113T6110-8		..SPAR ASSY- (USED ON ITEM 125)	D,E,H ,K,M	1
-599A	113T6110-10		..SPAR ASSY	F	1
-599B	113T6110-96		..SPAR ASSY- (USED ON ITEMS 125C, 125D)	D,E,H ,K,M	1
602	BACB30NW6K		ATTACHING PARTS ..BOLT- (SIZE DETERMINE ON INST)	A,B,D ,E, G-M	119
605	BACF3T01F5-7		..FILLER	A,B,D ,E, G-M	8
608	BACF3T01F5-18		..FILLER	A,B,D ,E, G-M	4
611	HL79-6		..COLLAR- (V5M902) (SPEC BACC30M6) (OPT HL79-6 (V73197)) (OPT HL79-6 (V92215)) (OPT 66014-6 (V56878)) (OPT HL79-6 (V56878)) (OPT ITEM 612 USED WITH ITEM 613)	A,B,D ,E, G-M	119
-612	HL97KG6		..COLLAR- (V5M902) (SPEC BACC30AB6C) (OPT HL97PB6 (V92215)) (OPT HL97PB6 (V56878)) (OPT HL97KG6 (V73197)) (OPT HL97KG6 (V56878)) (OPT HL97PB6 (V73197)) (OPT ITEM 611) (USED WITH ITEM 613)	A,B,D ,E, G-M	119

57-60-11

ILLUSTRATED PARTS LIST
01.1 Page 1080S
Jul 01/03

FIG. & ITEM	PART NO.	AIRLINE PART NUMBER	NOMENCLATURE 1234567	EFF CODE	QTY PER ASSY
01-613	BACW10BP3NDP		..WASHER- (USED WITH ITEM 612)	A,B,D ,E, G-M	119
614	BACB30NW8K		..BOLT- (SIZE DETERMINE ON INST)	A,B,D ,E, G-M	126
617	BACF3T02G7-9		..FILLER	A,B,D ,E, G-M	16
620	BACF3T02G7-24		..FILLER	A,B,D ,E, G-M	8
623	HL79-8		..COLLAR- (V5M902) (SPEC BACC30M8) (OPT HL79-8 (V73197)) (OPT HL79-8 (V92215)) (OPT 66014-8 (V56878)) (OPT HL79-8 (V56878)) (OPT ITEM 623E) (USED WITH ITEM 623H)	A,B,D ,E, G-M	126
-623E	HL97KG8		..COLLAR- (V5M902) (SPEC BACC30AB8C) (OPT HL97PB8 (V92215)) (OPT HL97PB8 (V56878)) (OPT HL97KG8 (V73197)) (OPT HL97KG8 (V56878)) (OPT HL97PB8 (V73197)) (OPT ITEM 623) (USED WITH ITEM 623H)	A,B,D ,E, G-M	126
-623G 623H	BAC30AB8C BACW10BP4NDP		DELETED ..WASHER- (USED WITH ITEM 623E)	A,B,D ,E, G-M	126

57-60-11

 ILLUSTRATED PARTS LIST
 01.1 Page 1080T
 Jul 01/03

 **BOEING**
COMPONENT
MAINTENANCE MANUAL

FIG. & ITEM	PART NO.	AIRLINE PART NUMBER	NOMENCLATURE 1234567	EFF CODE	QTY PER ASSY
01-624	HL11VAZ10-11		..BOLT- (V56878) (SPEC BACB30NW10K11) (OPT B30NW10K11 (V97928)) (OPT HL11VAZ10-11 (V73197)) (OPT HL11VAZ10-11 (V92215)) (OPT HL11VAZ10-11 (V97928)) (OPT L803-10K11 (V06725)) (OPT HL11VAZ10-11 (V0PTK6)) (OPT HL11VAZ10-11 (V60516))	A,B,D ,E, G-M	24
625	HL79-10		..COLLAR- (V5M902) (SPEC BACC30M10) (OPT HL79-10 (V73197)) (OPT HL79-10 (V92215)) (OPT 66014-10 (V56878)) (OPT HL79-10 (V56878)) (OPT ITEM 625G USED WITH ITEM 625H)	A,B,D ,E, G-M	24
-625G	HL97KG10		..COLLAR- (V5M902) (SPEC BACC30AB10C) (OPT HL97PB10 (V5M902)) (OPT HL97PB10 (V56878)) (OPT HL97KG10 (V73197)) (OPT HL97KG10 (V56878)) (OPT ITEM 625) (USED WITH ITEM 625H)	A,B,D ,E, G-M	24

57-60-11

ILLUSTRATED PARTS LIST
01.1 Page 1080U
Jul 01/03

FIG. & ITEM	PART NO.	AIRLINE PART NUMBER	NOMENCLATURE 1234567	EFF CODE	QTY PER ASSY
01-625H	BACW10BP5DP		..WASHER- (USED WITH ITEM 625G)	A,B,D ,E, G-M	24
			-----*-----		
625M	113T6110-39		...DOOR-ACCESS	A,B,D ,E, G-M	3
			ATTACHING PARTS		
625R	BACB30NM3K4		...BOLT	A,B,D ,E, G-M	36
625W	AN960PD10L		...WASHER	A,B,D ,E, G-M	36
			-----*-----		
626	113T6110-25		..PLATE-UPR	A-C,G ,J,L	1
-629	113T6110-26		..PLATE-UPR	D-F,H ,K,M	1
632	113T6110-27		..PLATE-LWR	A-C,G ,J,L	1
-635	113T6110-28		..PLATE-LWR	D-F,H ,K,M	1
638	113T6110-59		..PLATE-UPR SPLICE	A,B,D ,E, G-M	2
641	113T6110-60		..PLATE-LWR SPLICE	A,B,D ,E, G-M	2
644	113T6110-39		DELETED ATTACHING PARTS		
647	BACB30NM3K4		DELETED		
650	AN960PD10L		DELETED		
653	BRFM22A3-3D		DELETED		
653A	BACN10JQ32CD		..NUTPLATE		24
654	BACN10JQ33CD		..NUTPLATE		12
656	BACR15BA3AD		..RIVET- (SIZE DETERMINE ON INST)		72
			-----*-----		
659	BACN10JQ42CD		..NUTPLATE		4
			ATTACHING PARTS		
662	BACR15BA3AD		..RIVET- (SIZE DETERMINE ON INST)		8
			-----*-----		
671	BACB30NU3K4		DELETED		

57-60-11

 ILLUSTRATED PARTS LIST
 01.1 Page 1080V
 Jul 01/03

BOEING
COMPONENT
MAINTENANCE MANUAL

FIG. & ITEM	PART NO.	AIRLINE PART NUMBER	NOMENCLATURE 1234567	EFF CODE	QTY PER ASSY
01- -674	113T6120-1		.RIB INSTL-(LIMITED) (OPT ITEM 674A)	C	1
-674A	113T6120-3		.RIB INSTL- (OPT ITEM 674)	C	1
-674B	113T6120-3		DELETED		
-674C	113T6120-5		.RIB INSTL	A,B,G ,J,L, N,Q,S ,T	1
-677	113T6120-2		.RIB INSTL-(LIMITED) (OPT ITEM 677A)	F	1
-677A	113T6120-4		.RIB INSTL- (OPT ITEM 677)	F	1
-677B	113T6120-4		DELETED		
-677C	113T6120-6		.RIB INSTL	D,E,H ,K,M, P,R,U ,V	1
679	BACR15FT6KE		..RIVET- (SIZE DETERMINE ON INST)		10
680	HL11VAZ6-4		..BOLT- (V56878) (SPEC BACB30NW6K4) (OPT HL11V6-4 (V92215)) (OPT HL11V6-4 (V97928)) (OPT L803-6-4 (V06725)) (OPT B30NW6K4 (V97928)) (OPT HL11VAZ6-4 (V73197)) (OPT HL11VAZ6-4 (V92215)) (OPT HL11VAZ6-4 (V97928)) (OPT ITEM 680A)		42

57-60-11

ILLUSTRATED PARTS LIST
01.1 Page 1080W
Jul 01/03

FIG. & ITEM	PART NO.	AIRLINE PART NUMBER	NOMENCLATURE 1234567	EFF CODE	QTY PER ASSY
01-680A	HL523AZ6-4		..BOLT- (V56878) (SPEC BACB30NZ6K4) (OPT HL523AZ6-4 (V06725)) (OPT L804-6K4 (V06725)) (OPT HL523AZ6-4 (V97928)) (OPT HL523AZ6-4 (V92215)) (OPT HL523AZ6-4 (V0PTK6)) (OPT HL523AZ6-4 (V60516)) (OPT HL523AZ6-4 (V73197)) (OPT ITEM 680)		42
683	HL79-6		..COLLAR- (V5M902) (SPEC BACC30M6) (OPT HL79-6 (V73197)) (OPT HL79-6 (V92215)) (OPT 66014-6 (V56878)) (OPT HL79-6 (V56878)) (OPT ITEM 684 USED WITH ITEM 685)		42

57-60-11

 ILLUSTRATED PARTS LIST
 01.1 Page 1080X
 Jul 01/03

 **BOEING**
COMPONENT
MAINTENANCE MANUAL

FIG. & ITEM	PART NO.	AIRLINE PART NUMBER	NOMENCLATURE 1234567	EFF CODE	QTY PER ASSY
01-684	HL97KG6		..COLLAR- (V5M902) (SPEC BACC30AB6C) (OPT HL97PB6 (V92215)) (OPT HL97PB6 (V56878)) (OPT HL97KG6 (V73197)) (OPT HL97KG6 (V56878)) (OPT HL97PB6 (V73197)) (OPT ITEM 683) (USED WITH ITEM 685)		42
685	BACW10BP3NDP		..WASHER (USED WITH ITEM 684)		42
686	HL11VAZ8-4		..BOLT- (V56878) (SPEC BACB30NW8K4) (OPT B30NW8K4 (V97928)) (OPT HL11VAZ8-4 (V73197)) (OPT HL11VAZ8-4 (V92215)) (OPT HL11VAZ8-4 (V97928)) (OPT L803-8K4 (V06725)) (OPT HL11VAZ8-4 (V0PTK6)) (OPT HL11VAZ8-4 (V60516)) (OPT ITEM 686A)		1

57-60-11

ILLUSTRATED PARTS LIST
01.1 Page 1080Y
Jul 01/03

FIG. & ITEM	PART NO.	AIRLINE PART NUMBER	NOMENCLATURE 1234567	EFF CODE	QTY PER ASSY
01-686A	HL523AZ8-4		..BOLT- (V56878) (SPEC BACB30NZ8K4) (OPT HL523AZ8-4 (V97928)) (OPT L804-8K4 (V06725)) (OPT HL523AZ8-4 (V92215)) (OPT HL523AZ8-4 (V73197)) (OPT HL523AZ8-4 (V0PTK6)) (OPT HL523AZ8-4 (V60516)) (OPT HL523AZ8-4 (V06725)) (OPT ITEM 686)		1
687	BACB30NU4K4		..BOLT (OPT ITEM 687A)		1
687A	BACB30UR4K4		..BOLT- (OPT ITEM 687)		1
689	HL11VAZ8-5		..BOLT- (V56878) (SPEC BACB30NW8K5) (OPT B30NW8K5 (V97928)) (OPT HL11VAZ8-5 (V73197)) (OPT HL11VAZ8-5 (V92215)) (OPT HL11VAZ8-5 (V97928)) (OPT L803-8K5 (V06725)) (OPT HL11VAZ8-5 (V0PTK6)) (OPT HL11VAZ8-5 (V60516)) (OPT ITEM 689A)		3

57-60-11

 ILLUSTRATED PARTS LIST
 01.1 Page 1080Z
 Jul 01/03

 **BOEING**
COMPONENT
MAINTENANCE MANUAL

FIG. & ITEM	PART NO.	AIRLINE PART NUMBER	NOMENCLATURE 1234567	EFF CODE	QTY PER ASSY
01- -689A	HL523AZ8-5		..BOLT- (V56878) (SPEC BACB30NZ8K5) (OPT L804-8K5 (V06725)) (OPT HL523AZ8-5 (V92215)) (OPT HL523AZ8-5 (V73197)) (OPT HL523AZ8-5 (V0PTK6)) (OPT HL523AZ8-5 (V08524)) (OPT HL523AZ8-5 (V60516)) (OPT HL523AZ8-5 (V06725)) (OPT ITEM 689)		3
690	BACB30NU4K5		..BOLT (OPT ITEM 690A)		3
-690A	BACB30UR4K5		..BOLT (OPT ITEM 690)		3
692	BACF3T01F8G8		..FILLER		4
695	HL79-8		..COLLAR- (V5M902) (SPEC BACC30M8) (OPT HL79-8 (V73197)) (OPT HL79-8 (V92215)) (OPT 66014-8 (V56878)) (OPT HL79-8 (V56878))		4

57-60-11

ILLUSTRATED PARTS LIST
01.1 Page 1081
Jul 01/03

FIG. & ITEM	PART NO.	AIRLINE PART NUMBER	NOMENCLATURE 1234567	EFF CODE	QTY PER ASSY
01-696	BACN10JQ42CD		..NUTPLATE ATTACHING PARTS		4
696G	BACR15BA3AD		..RIVET- (SIZE DETERMINE ON INST) -----*-----		8
697	BACB30NU3K4		..BOLT (OPT ITEM 697A)		42
-697A	BACB30UR3K4		..BOLT (OPT ITEM 697)		42
698	BACN10JQ32CD		..NUTPLATE ATTACHING PARTS		42
701	BACR15BA3AD		..RIVET- (SIZE DETERMINE ON INST) -----*-----		84
704	113T6120-31		DELETED		
704A	113T6120-43		..RETAINER-SEAL	A-C,G ,J,L, N,Q,S ,T	1
-707	113T6120-32		DELETED		
-707A	113TL120-44		DELETED		
-707B	113T4120-44		DELETED		
-707C	113T6120-44		..RETAINER-SEAL	D-F,K ,M,P, R,U,V	1
			ATTACHING PARTS		

57-60-11

 ILLUSTRATED PARTS LIST
 01.1 Page 1082
 Jul 01/03

 **BOEING**
COMPONENT
MAINTENANCE MANUAL

FIG. & ITEM	PART NO.	AIRLINE PART NUMBER	NOMENCLATURE 1234567	EFF CODE	QTY PER ASSY
01-710	BACR15BA6KE		..RIVET- (SIZE DETERMINE ON INST)		42
713	BACF3T01F8G8		..FILLER		1
716	HL11VAZ6-5		..BOLT- (V56878) (SPEC BACB30NW6K5) (OPT HL11V6-5 (V92215)) (OPT HL11V6-5 (V97928)) (OPT L803-6-5 (V06725)) (OPT B30NW6K5 (V97928)) (OPT HL11VAZ6-5 (V73197)) (OPT HL11VAZ6-5 (V92215)) (OPT HL11VAZ6-5 (V97928))		7
719	HL79-6		..COLLAR- (V5M902) (SPEC BACC30M6) (OPT HL79-6 (V73197)) (OPT HL79-6 (V92215)) (OPT 66014-6 (V56878)) (OPT HL79-6 (V56878)) (OPT ITEM 720 USED WITH ITEM 721) -----*		7

57-60-11

ILLUSTRATED PARTS LIST
01.1 Page 1082A
Jul 01/03

FIG. & ITEM	PART NO.	AIRLINE PART NUMBER	NOMENCLATURE 1234567	EFF CODE	QTY PER ASSY
01- -720	HL97KG6		..COLLAR- (V5M902) (SPEC BACC30AB6C) (OPT HL97PB6 (V92215)) (OPT HL97PB6 (V56878)) (OPT HL97KG6 (V73197)) (OPT HL97KG6 (V56878)) (OPT HL97PB6 (V73197)) (OPT ITEM 719) (USED WITH ITEM 721)		7
721	BACW10BP3NDP		..WASHER (USED WITH ITEM 720)		7
722	113T6120-33		..RETAINER-SEAL	A-C,G ,J,L, N,Q,S ,T	1
-725	113T6120-34		..RETAINER-SEAL	D-F,H ,K,M, P,R,U ,V	1
728	BACR15BA6KE		ATTACHING PARTS ..RIVET- (SIZE DETERMINE ON INST)		48
731	BACF3T01F8G8		..FILLER		1

57-60-11

 ILLUSTRATED PARTS LIST
 01.1 Page 1082B
 Jul 01/03

 **BOEING**
COMPONENT
MAINTENANCE MANUAL

FIG. & ITEM	PART NO.	AIRLINE PART NUMBER	NOMENCLATURE 1234567	EFF CODE	QTY PER ASSY
01-734	HL11VAZ6-5		..BOLT- (V56878) (SPEC BACB30NW6K5) (OPT HL11V6-5 (V92215)) (OPT HL11V6-5 (V97928)) (OPT L803-6-5 (V06725)) (OPT B30NW6K5 (V97928)) (OPT HL11VAZ6-5 (V73197)) (OPT HL11VAZ6-5 (V92215)) (OPT HL11VAZ6-5 (V97928))		7
737	HL79-6		..COLLAR- (V5M902) (SPEC BACC30M6) (OPT HL79-6 (V73197)) (OPT HL79-6 (V92215)) (OPT 66014-6 (V56878)) (OPT HL79-6 (V56878)) (OPT ITEM 738 USED WITH ITEM 739) -----*-----		7

57-60-11

ILLUSTRATED PARTS LIST
01.1 Page 1082C
Jul 01/03

FIG. & ITEM	PART NO.	AIRLINE PART NUMBER	NOMENCLATURE 1234567	EFF CODE	QTY PER ASSY
01- -738	HL97KG6		..COLLAR- (V5M902) (SPEC BACC30AB6C) (OPT HL97PB6 (V92215)) (OPT HL97PB6 (V56878)) (OPT HL97KG6 (V73197)) (OPT HL97KG6 (V56878)) (OPT HL97PB6 (V73197)) (OPT ITEM 737) (USED WITH ITEM 739)		7
739	BACW10BP3NDP		..WASHER (USED WITH ITEM 738)		7
-740	113T6122-1		.RIB INSTL	A,B,G J,L N,Q,S T	1
-740A	113T6122-3		.RIB INSTL- (OPT ITEM 740C)	C	1
-740B	113T6122-3		DELETED		
-740C	113T6122-5		.RIB INSTL-(LIMITED) (OPT ITEM 740A)	C	1
-743	113T6122-2		.RIB INSTL	D,E,H K,M P,R,U V	1
-743A	113T6122-4		.RIB INSTL- (OPT ITEM 743C)	F	1
-743B	113T6122-4		DELETED		
-743C	113T6122-6		.RIB INSTL-(LIMITED) (OPT ITEM 743A)	F	1
744	HL10VAZ6-4		..BOLT- (V60516) (SPEC BACB30MY6K4) (OPT B30MY6K4 (V97928))		4

57-60-11

 ILLUSTRATED PARTS LIST
 01.1 Page 1082D
 Jul 01/03

 **BOEING**
COMPONENT
MAINTENANCE MANUAL

FIG. & ITEM	PART NO.	AIRLINE PART NUMBER	NOMENCLATURE 1234567	EFF CODE	QTY PER ASSY
01-744G	HL440UC6-4		..BOLT- (V56878) (SPEC BACB30FM6A4) (OPT HL440UC6-4 (V73197)) (OPT HL440UC6-4 (V92215)) (OPT HL440UC6-4 (V97928)) (OPT HL440UC6-4 (V80539)) (OPT WC130-6-4 (V60516)) (OPT 67067-6A4 (V56878)) (OPT HL440UC6-4 (V60516)) (OPT HL440UC6-4 (V08524))		2
744H	HL79-6		..COLLAR- (V5M902) (SPEC BACC30M6) (OPT HL79-6 (V73197)) (OPT HL79-6 (V92215)) (OPT 66014-6 (V56878)) (OPT HL79-6 (V56878))		2
745	L8006K6		..BOLT- (V06725) (SPEC BACB30MY6K6) (OPT HL10VAZ6-6 (VOPTK6))		4

57-60-11

ILLUSTRATED PARTS LIST
01.1 Page 1082E
Jul 01/03

FIG. & ITEM	PART NO.	AIRLINE PART NUMBER	NOMENCLATURE 1234567	EFF CODE	QTY PER ASSY
01-746	HL79-6		..COLLAR- (V5M902) (SPEC BACC30M6) (OPT HL79-6 (V73197)) (OPT HL79-6 (V92215)) (OPT 66014-6 (V56878)) (OPT HL79-6 (V56878)) (OPT ITEM 746G USED WITH ITEM 746H)		8
-746G	HL97KG6		..COLLAR- (V5M902) (SPEC BACC30AB6C) (OPT HL97PB6 (V92215)) (OPT HL97PB6 (V56878)) (OPT HL97KG6 (V73197)) (OPT HL97KG6 (V56878)) (OPT HL97PB6 (V73197)) (OPT ITEM 746) (USED WITH ITEM 746H)		8
746H	BACW10BP3NDP		..WASHER (USED WITH ITEM 746G)		8

57-60-11

ILLUSTRATED PARTS LIST
01.1 Page 1082F
Jul 01/03

 **BOEING**
COMPONENT
MAINTENANCE MANUAL

FIG. & ITEM	PART NO.	AIRLINE PART NUMBER	NOMENCLATURE 1234567	EFF CODE	QTY PER ASSY
01-747	HL11VAZ6-4		..BOLT- (V56878) (SPEC BACB30NW6K4) (OPT HL11V6-4 (V92215)) (OPT HL11V6-4 (V97928)) (OPT L803-6-4 (V06725)) (OPT B30NW6K4 (V97928)) (OPT HL11VAZ6-4 (V73197)) (OPT HL11VAZ6-4 (V92215)) (OPT HL11VAZ6-4 (V97928)) (OPT ITEMS 747A, 747B)		56
-747A	HL523AZ6-4		..BOLT- (V56878) (SPEC BACB30NZ6K4) (OPT HL523AZ6-4 (V06725)) (OPT L804-6K4 (V06725)) (OPT HL523AZ6-4 (V97928)) (OPT HL523AZ6-4 (V92215)) (OPT HL523AZ6-4 (V0PTK6)) (OPT HL523AZ6-4 (V60516)) (OPT HL523AZ6-4 (V73197)) (OPT ITEM 747)		52

57-60-11

ILLUSTRATED PARTS LIST
01.1 Page 1082G
Jul 01/03

FIG. & ITEM	PART NO.	AIRLINE PART NUMBER	NOMENCLATURE 1234567	EFF CODE	QTY PER ASSY
01- -747B	HL523AZ6-5		..BOLT- (V56878) (SPEC BACB30NZ6K5) (OPT HL523AZ6-5 (V92215)) (OPT L804-6K5 (V06725)) (OPT HL523AZ6-5 (V06725)) (OPT HL523AZ6-5 (V73197)) (OPT HL523AZ6-5 (V73197)) (OPT HL523AZ6-5 (V60516)) (OPT HL523AZ6-5 (VOPTK6)) (OPT ITEM 747)		4
750	HL79-6		..COLLAR- (V5M902) (SPEC BACC30M6) (OPT HL79-6 (V73197)) (OPT HL79-6 (V92215)) (OPT 66014-6 (V56878)) (OPT HL79-6 (V56878)) (OPT ITEM 751 USED WITH ITEM 752)		56

57-60-11

 ILLUSTRATED PARTS LIST
 01.1 Page 1082H
 Jul 01/03

 **BOEING**
COMPONENT
MAINTENANCE MANUAL

FIG. & ITEM	PART NO.	AIRLINE PART NUMBER	NOMENCLATURE 1234567	EFF CODE	QTY PER ASSY
01- -751	HL97KG6		..COLLAR- (V5M902) (SPEC BACC30AB6C) (OPT HL97PB6 (V92215)) (OPT HL97PB6 (V56878)) (OPT HL97KG6 (V73197)) (OPT HL97KG6 (V56878)) (OPT HL97PB6 (V73197)) (OPT ITEM 750) (USED WITH ITEM 752)		56
752	BACW10BP3NDP		..WASHER (USED WITH ITEM 751)		56
753	HL11VAZ8-4		..BOLT- (V56878) (SPEC BACB30NW8K4) (OPT B30NW8K4 (V97928)) (OPT HL11VAZ8-4 (V73197)) (OPT HL11VAZ8-4 (V92215)) (OPT HL11VAZ8-4 (V97928)) (OPT L803-8K4 (V06725)) (OPT HL11VAZ8-4 (V0PTK6)) (OPT HL11VAZ8-4 (V60516)) (OPT ITEMS 760, 761)		2

57-60-11

ILLUSTRATED PARTS LIST
01.1 Page 1082I
Jul 01/03

FIG. & ITEM	PART NO.	AIRLINE PART NUMBER	NOMENCLATURE 1234567	EFF CODE	QTY PER ASSY
01-756	HL11VAZ8-5		..BOLT- (V56878) (SPEC BACB30NW8K5) (OPT B30NW8K5 (V97928)) (OPT HL11VAZ8-5 (V73197)) (OPT HL11VAZ8-5 (V92215)) (OPT HL11VAZ8-5 (V97928)) (OPT L803-8K5 (V06725)) (OPT HL11VAZ8-5 (V0PTK6)) (OPT HL11VAZ8-5 (V60516)) (OPT ITEMS 760, 761)		2
759	HL11VAZ8-7		..BOLT- (V56878) (SPEC BACB30NW8K7) (OPT B30NW8K7 (V97928)) (OPT HL11VAZ8-7 (V73197)) (OPT HL11VAZ8-7 (V92215)) (OPT HL11VAZ8-7 (V97928)) (OPT L803-8K7 (V06725)) (OPT HL11VAZ8-7 (V0PTK6)) (OPT HL11VAZ8-7 (V60516)) (OPT ITEMS 760, 761)		2

57-60-11

 ILLUSTRATED PARTS LIST
 01.1 Page 1082J
 Jul 01/03

 **BOEING**
COMPONENT
MAINTENANCE MANUAL

FIG. & ITEM	PART NO.	AIRLINE PART NUMBER	NOMENCLATURE 1234567	EFF CODE	QTY PER ASSY
01- -760	HL523AZ8-5		..BOLT- (V56878) (SPEC BACB30NZ8K5) (OPT L804-8K5 (V06725)) (OPT HL523AZ8-5 (V92215)) (OPT HL523AZ8-5 (V73197)) (OPT HL523AZ8-5 (V0PTK6)) (OPT HL523AZ8-5 (V08524)) (OPT HL523AZ8-5 (V60516)) (OPT HL523AZ8-5 (V06725)) (OPT ITEMS 753, 756, 759)		4
-761	HL523AZ8-7		..BOLT- (V56878) (SPEC BACB30NZ8K7) (OPT HL523AZ8-7 (V0PTK6)) (OPT L804-8K7 (V06725)) (OPT HL523AZ8-7 (V92215)) (OPT HL523AZ8-7 (V73197)) (OPT HL523AZ8-7 (V97928)) (OPT HL523AZ8-7 (V60516)) (OPT HL523AZ8-7 (V06725)) (OPT ITEMS 753, 756, 759)		2

57-60-11

ILLUSTRATED PARTS LIST
01.1 Page 1082K
Jul 01/03

FIG. & ITEM	PART NO.	AIRLINE PART NUMBER	NOMENCLATURE 1234567	EFF CODE	QTY PER ASSY
01-762	HL79-8		..COLLAR- (V5M902) (SPEC BACC30M8) (OPT HL79-8 (V73197)) (OPT HL79-8 (V92215)) (OPT 66014-8 (V56878)) (OPT HL79-8 (V56878)) (OPT ITEM 763 USED WITH ITEM 764)		6
-763	HL97KG8		..COLLAR- (V5M902) (SPEC BACC30AB8C) (OPT HL97PB8 (V92215)) (OPT HL97PB8 (V56878)) (OPT HL97KG8 (V73197)) (OPT HL97KG8 (V56878)) (OPT HL97PB8 (V73197)) (OPT ITEM 762) (USED WITH ITEM 764)		6
764	BACW10BP4NDP		..WASHER (USED WITH ITEM 763)		6

57-60-11

 ILLUSTRATED PARTS LIST
 01.1 Page 1082L
 Jul 01/03

 **BOEING**
COMPONENT
MAINTENANCE MANUAL

FIG. & ITEM	PART NO.	AIRLINE PART NUMBER	NOMENCLATURE 1234567	EFF CODE	QTY PER ASSY
01-765	HL11VAZ10-8		..BOLT- (V56878) (SPEC BACB30NW10K8) (OPT B30NW10K8 (V97928)) (OPT HL11VAZ10-8 (V73197)) (OPT HL11VAZ10-8 (V92215)) (OPT HL11VAZ10-8 (V97928)) (OPT L803-10K8 (V06725)) (OPT HL11VAZ10-8 (V0PTK6)) (OPT HL11VAZ10-8 (V60516)) (OPT ITEM 765A USED WITH ITEM 766, 767) (USED WITH ITEM 768)		2
-765A	BACB30NU5K8		..BOLT- (OPT ITEM 765 USED WITH ITEM 768) (OPT ITEM 765B) (USED WITH ITEMS 766, 767)		2

57-60-11

ILLUSTRATED PARTS LIST
01.1 Page 1082M
Jul 01/03

FIG. & ITEM	PART NO.	AIRLINE PART NUMBER	NOMENCLATURE 1234567	EFF CODE	QTY PER ASSY
01- -765B	HL523AZ10-8		..BOLT- (V56878) (SPEC BACB30NZ10K8) (OPT L804-10K8 (V06725)) (OPT HL523AZ10-8 (V92215)) (OPT HL523AZ10-8 (V73197)) (OPT HL523AZ10-8 (V06725)) (OPT HL523AZ10-8 (V97928)) (OPT HL523AZ10-8 (V0PTK6)) (OPT HL523AZ10-8 (V60516)) (OPT ITEM 765A USED WITH ITEMS 766, 767)		2
-766	AN960PD516		..WASHER- (USED WITH ITEMS 765A, 767)		2
-767	BRH10C5D		..NUT- (V52828) (SPEC BACN10JC5CD) (OPT T6C524JCD (V11815)) (OPT 102LH9075-5W (V72962)) (OPT H51650-5BAC (V15653)) (USED WITH ITEMS 765A, 766)		2

57-60-11

 ILLUSTRATED PARTS LIST
 01.1 Page 1082N
 Jul 01/03

 **BOEING**
COMPONENT
MAINTENANCE MANUAL

FIG. & ITEM	PART NO.	AIRLINE PART NUMBER	NOMENCLATURE 1234567	EFF CODE	QTY PER ASSY
01-768	HL79-10		..COLLAR- (V5M902) (SPEC BACC30M10) (OPT HL79-10 (V73197)) (OPT HL79-10 (V92215)) (OPT 66014-10 (V56878)) (OPT HL79-10 (V56878)) (OPT ITEM 769 USED WITH ITEM 769A) (USED WITH ITEM 765)		2
-769	HL97KG10		..COLLAR- (V5M902) (SPEC BACC30AB10C) (OPT HL97PB10 (V5M902)) (OPT HL97PB10 (V56878)) (OPT HL97KG10 (V73197)) (OPT HL97KG10 (V56878)) (OPT ITEM 768) (USED WITH ITEM 769A)		2
-769A	BACW10BP5DP		..WASHER- (USED WITH ITEM 769)		2
770	BACB30NU3K4		..BOLT- (OPT ITEM 770A)		48
-770A	BACB30UR3K4		..BOLT- (OPT ITEM 770)		48
771	BACN10JQ32CD		..NUTPLATE ATTACHING PARTS		48

57-60-11

ILLUSTRATED PARTS LIST
01.1 Page 10820
Jul 01/03

FIG. & ITEM	PART NO.	AIRLINE PART NUMBER	NOMENCLATURE 1234567	EFF CODE	QTY PER ASSY
01-774	BACR15BA3AD		..RIVET- (SIZE DETERMINE ON INST) -----*-----		96
775	BACB30NU5K11		..BOLT		10
775G	BACN10JQ52CD		..NUTPLATE ATTACHING PARTS		10
775H	BACR15BA4AD		..RIVET- (SIZE DETERMINE ON INST) -----*-----		20
775J	BACB30NU4K7		..BOLT- (OPT ITEM 775K)		2
-775K	BACB30UR4K7		..BOLT- (OPT ITEM 775J)		2
776	BACB30NU4K5		..BOLT- (OPT ITEM 776A)		2
-776A	BACB30UR4K5		..BOLT- (OPT ITEM 776)		2
-776F	BACB30UR4K4		..BOLT- (OPT ITEM 776G)		2
776G	BACB30NU4K4		..BOLT- (OPT ITEM 776F)		2
776H	BACNJQ42CD		DELETED		
776J	BACR15BA3AD		..RIVET- (SIZE DETERMINE ON INST)		12
776K	BACN10JQ42CD		..NUTPLATE		6
-777	113T6123-1		.RIB INSTL	A,B,G J,L N,Q,S T C	1
-777A	113T6123-3		.RIB INSTL- (OPT ITEM 777C)		1
-777B	113T6123-3		DELETED		
-777C	113T6123-5		.RIB INSTL-(LIMITED) (OPT ITEM 777A)	C	1
-780	113T6123-2		.RIB INSTL	D,E,H K,M P,R,U V F	1
-780A	113T6123-4		.RIB INSTL- (OPT ITEM 780C)		1
-780B	113T6123-4		DELETED		
-780C	113T6123-6		.RIB INSTL-(LIMITED) (OPT ITEM 780A)	F	1

57-60-11

 ILLUSTRATED PARTS LIST
 01.1 Page 1082P
 Jul 01/03

 **BOEING**
COMPONENT
MAINTENANCE MANUAL

FIG. & ITEM	PART NO.	AIRLINE PART NUMBER	NOMENCLATURE 1234567	EFF CODE	QTY PER ASSY
01-781	HL10VAZ6-4		..BOLT- (V60516) (SPEC BACB30MY6K4) (OPT B30MY6K4 (V97928))		3
781G	HL440UC6-4		..BOLT- (V56878) (SPEC BACB30FM6A4) (OPT HL440UC6-4 (V73197)) (OPT HL440UC6-4 (V92215)) (OPT HL440UC6-4 (V97928)) (OPT HL440UC6-4 (V80539)) (OPT WC130-6-4 (V60516)) (OPT 67067-6A4 (V56878)) (OPT HL440UC6-4 (V60516)) (OPT HL440UC6-4 (V08524))		2
782	L8006K6		..BOLT- (V06725) (SPEC BACB30MY6K6) (OPT HL10VAZ6-6 (VOPTK6))		4

57-60-11

ILLUSTRATED PARTS LIST
01.1 Page 1082Q
Jul 01/03

FIG. & ITEM	PART NO.	AIRLINE PART NUMBER	NOMENCLATURE	EFF CODE	QTY PER ASSY
01-783	HL79-6		1234567 ..COLLAR- (V5M902) (SPEC BACC30M6) (OPT HL79-6 (V73197)) (OPT HL79-6 (V92215)) (OPT 66014-6 (V56878)) (OPT HL79-6 (V56878))		9

57-60-11

ILLUSTRATED PARTS LIST
 01.1 Page 1082R
 Jul 01/03

 **BOEING**
COMPONENT
MAINTENANCE MANUAL

FIG. & ITEM	PART NO.	AIRLINE PART NUMBER	NOMENCLATURE 1234567	EFF CODE	QTY PER ASSY
01-784	HL11VAZ6-4		..BOLT- (V56878) (SPEC BACB30NW6K4) (OPT HL11V6-4 (V92215)) (OPT HL11V6-4 (V97928)) (OPT L803-6-4 (V06725)) (OPT B30NW6K4 (V97928)) (OPT HL11VAZ6-4 (V73197)) (OPT HL11VAZ6-4 (V92215)) (OPT HL11VAZ6-4 (V97928)) (OPT ITEMS 784A, 784B)		41
-784A	HL523AZ6-4		..BOLT- (V56878) (SPEC BACB30NZ6K4) (OPT HL523AZ6-4 (V06725)) (OPT L804-6K4 (V06725)) (OPT HL523AZ6-4 (V97928)) (OPT HL523AZ6-4 (V92215)) (OPT HL523AZ6-4 (V0PTK6)) (OPT HL523AZ6-4 (V60516)) (OPT HL523AZ6-4 (V73197)) (OPT ITEM 784)		39

57-60-11

ILLUSTRATED PARTS LIST
01.1 Page 1082S
Jul 01/03

FIG. & ITEM	PART NO.	AIRLINE PART NUMBER	NOMENCLATURE 1234567	EFF CODE	QTY PER ASSY
01- -784B	HL523AZ6-5		..BOLT- (V56878) (SPEC BACB30NZ6K5) (OPT HL523AZ6-5 (V92215)) (OPT L804-6K5 (V06725)) (OPT HL523AZ6-5 (V06725)) (OPT HL523AZ6-5 (V73197)) (OPT HL523AZ6-5 (V73197)) (OPT HL523AZ6-5 (V60516)) (OPT HL523AZ6-5 (VOPTK6)) (OPT ITEM 784)		2
786	HL79-6		..COLLAR- (V5M902) (SPEC BACC30M6) (OPT HL79-6 (V73197)) (OPT HL79-6 (V92215)) (OPT 66014-6 (V56878)) (OPT HL79-6 (V56878)) (OPT ITEM 787 USED WITH ITEM 788)		41

57-60-11

 ILLUSTRATED PARTS LIST
 01.1 Page 1082T
 Jul 01/03

 **BOEING**
COMPONENT
MAINTENANCE MANUAL

FIG. & ITEM	PART NO.	AIRLINE PART NUMBER	NOMENCLATURE 1234567	EFF CODE	QTY PER ASSY
01- -787	HL97KG6		..COLLAR- (V5M902) (SPEC BACC30AB6C) (OPT HL97PB6 (V92215)) (OPT HL97PB6 (V56878)) (OPT HL97KG6 (V73197)) (OPT HL97KG6 (V56878)) (OPT HL97PB6 (V73197)) (OPT ITEM 786) (USED WITH ITEM 788)		41
-788	BACW10BP3NDP		..WASHER- (USED WITH ITEM 787)		41
789	HL11VAZ8-4		..BOLT- (V56878) (SPEC BACB30NW8K4) (OPT B30NW8K4 (V97928)) (OPT HL11VAZ8-4 (V73197)) (OPT HL11VAZ8-4 (V92215)) (OPT HL11VAZ8-4 (V97928)) (OPT L803-8K4 (V06725)) (OPT HL11VAZ8-4 (V0PTK6)) (OPT HL11VAZ8-4 (V60516)) (OPT ITEM 796) (OPT ITEM 797)		2

57-60-11

ILLUSTRATED PARTS LIST
01.1 Page 1082U
Jul 01/03

FIG. & ITEM	PART NO.	AIRLINE PART NUMBER	NOMENCLATURE 1234567	EFF CODE	QTY PER ASSY
01- -789A 792	BACB30NU8K4 HL11VAZ8-5		DELETED ..BOLT- (V56878) (SPEC BACB30NW8K5) (OPT B30NW8K5 (V97928)) (OPT HL11VAZ8-5 (V73197)) (OPT HL11VAZ8-5 (V92215)) (OPT HL11VAZ8-5 (V97928)) (OPT L803-8K5 (V06725)) (OPT HL11VAZ8-5 (VOPTK6)) (OPT HL11VAZ8-5 (V60516)) (OPT ITEM 796) (OPT ITEM 797)		2
-792A 795	BACB30NU8K5 HL11VAZ8-7		DELETED ..BOLT- (V56878) (SPEC BACB30NW8K7) (OPT B30NW8K7 (V97928)) (OPT HL11VAZ8-7 (V73197)) (OPT HL11VAZ8-7 (V92215)) (OPT HL11VAZ8-7 (V97928)) (OPT L803-8K7 (V06725)) (OPT HL11VAZ8-7 (VOPTK6)) (OPT HL11VAZ8-7 (V60516)) (OPT ITEM 796) (OPT ITEM 797)		2
-795A	BACB30NU8K7		DELETED		

57-60-11

 ILLUSTRATED PARTS LIST
 01.1 Page 1082V
 Jul 01/03

 **BOEING**
COMPONENT
MAINTENANCE MANUAL

FIG. & ITEM	PART NO.	AIRLINE PART NUMBER	NOMENCLATURE 1234567	EFF CODE	QTY PER ASSY
01- -796	HL523AZ8-5		..BOLT- (V56878) (SPEC BACB30NZ8K5) (OPT L804-8K5 (V06725)) (OPT HL523AZ8-5 (V92215)) (OPT HL523AZ8-5 (V73197)) (OPT HL523AZ8-5 (V0PTK6)) (OPT HL523AZ8-5 (V08524)) (OPT HL523AZ8-5 (V60516)) (OPT HL523AZ8-5 (V06725)) (OPT ITEMS 789, 792, 795)		4
-797	HL523AZ8-7		..BOLT- (V56878) (SPEC BACB30NZ8K7) (OPT HL523AZ8-7 (V0PTK6)) (OPT L804-8K7 (V06725)) (OPT HL523AZ8-7 (V92215)) (OPT HL523AZ8-7 (V73197)) (OPT HL523AZ8-7 (V97928)) (OPT HL523AZ8-7 (V60516)) (OPT HL523AZ8-7 (V06725)) (OPT ITEMS 789, 762 795)		2

57-60-11

ILLUSTRATED PARTS LIST
01.1 Page 1082W
Jul 01/03

FIG. & ITEM	PART NO.	AIRLINE PART NUMBER	NOMENCLATURE 1234567	EFF CODE	QTY PER ASSY
01-798	HL79-8		..COLLAR- (V5M902) (SPEC BACC30M8) (OPT HL79-8 (V73197)) (OPT HL79-8 (V92215)) (OPT 66014-8 (V56878)) (OPT HL79-8 (V56878)) (OPT ITEM 799A USED WITH ITEM 800A)		6
799-799A	BRH10C4D HL97KG8		DELETED ..COLLAR- (V5M902) (SPEC BACC30AB8C) (OPT HL97PB8 (V92215)) (OPT HL97PB8 (V56878)) (OPT HL97KG8 (V73197)) (OPT HL97KG8 (V56878)) (OPT HL97PB8 (V73197)) (OPT ITEM 798) (USED WITH ITEM 800A)		6
800-800A	AN960PD416 BACW10BP3NDP		DELETED ..WASHER- (USED WITH ITEM 799A)		6

57-60-11

 ILLUSTRATED PARTS LIST
 01.1 Page 1082X
 Jul 01/03

 **BOEING**
COMPONENT
MAINTENANCE MANUAL

FIG. & ITEM	PART NO.	AIRLINE PART NUMBER	NOMENCLATURE 1234567	EFF CODE	QTY PER ASSY
01-801	HL11VAZ10-8		..BOLT- (V56878) (SPEC BACB30NW10K8) (OPT B30NW10K8 (V97928)) (OPT HL11VAZ10-8 (V73197)) (OPT HL11VAZ10-8 (V92215)) (OPT HL11VAZ10-8 (V97928)) (OPT L803-10K8 (V06725)) (OPT HL11VAZ10-8 (V0PTK6)) (OPT HL11VAZ10-8 (V60516)) (OPT ITEM 801B USED WITH ITEMS 802, 803) (USED WITH ITEM 804)		2
-801A	BACB30NU10K8		DELETED		
-801B	BACB30NU5K8		..BOLT- (OPT ITEM 801 USED WITH ITEM 804) (OPT ITEM 801C) (USED WITH ITEMS 802, 803)		2

57-60-11

ILLUSTRATED PARTS LIST
01.1 Page 1082Y
Jul 01/03

FIG. & ITEM	PART NO.	AIRLINE PART NUMBER	NOMENCLATURE 1234567	EFF CODE	QTY PER ASSY
01- -801C	HL523AZ10-8		..BOLT- (V56878) (SPEC BACB30NZ10K8) (OPT L804-10K8 (V06725)) (OPT HL523AZ10-8 (V92215)) (OPT HL523AZ10-8 (V73197)) (OPT HL523AZ10-8 (V06725)) (OPT HL523AZ10-8 (V97928)) (OPT HL523AZ10-8 (V0PTK6)) (OPT HL523AZ10-8 (V60516)) (OPT ITEM 801B USED WITH ITEMS 802, 803)		2
-802	AN960PD516		..WASHER- (USED WITH ITEMS 801B, 803)		2
-803	BRH10C5D		..NUT- (V52828) (SPEC BACN10JC5CD) (OPT T6C524JCD (V11815)) (OPT 102LH9075-5W (V72962)) (OPT H51650-5BAC (V15653)) (USED WITH ITEMS 801B, 802)		2

57-60-11

 ILLUSTRATED PARTS LIST
 01.1 Page 1082Z
 Jul 01/03

 **BOEING**
COMPONENT
MAINTENANCE MANUAL

FIG. & ITEM	PART NO.	AIRLINE PART NUMBER	NOMENCLATURE 1234567	EFF CODE	QTY PER ASSY
01-804	HL79-10		..COLLAR- (V5M902) (SPEC BACC30M10) (OPT HL79-10 (V73197)) (OPT HL79-10 (V92215)) (OPT 66014-10 (V56878)) (OPT HL79-10 (V56878)) (OPT ITEM 805A USED WITH ITEM 805H)		2
805 -805A	BRH10C5D HL97KG10		DELETED ..COLLAR- (V5M902) (SPEC BACC30AB10C) (OPT HL97PB10 (V5M902)) (OPT HL97PB10 (V56878)) (OPT HL97KG10 (V73197)) (OPT HL97KG10 (V56878)) (OPT ITEM 804) (USED WITH ITEM 805H)		2
805G -805H	AN960PD516 BACW10BP5DP		DELETED ..WASHER- (USED WITH ITEM 805A)		2
806	BACB30NU3K4		..BOLT- (OPT ITEM 806A)		48
-806A	BACB30UR3K4		..BOLT- (OPT ITEM 806)		48
807	BACN10JQ32CD		..NUTPLATE		48

57-60-11

ILLUSTRATED PARTS LIST
01.1 Page 1083
Jul 01/03

FIG. & ITEM	PART NO.	AIRLINE PART NUMBER	NOMENCLATURE 1234567	EFF CODE	QTY PER ASSY
01-					
810	BACN10JQ43CD		..NUTPLATE		1
813	BACR15BA3AD		..RIVET- (SIZE DETERMINE ON INST)		98
814	BACB30NU5K11		..BOLT		10
814G	BACN10JQ52CD		..NUTPLATE ATTACHING PARTS		10
814H	BACR15BA4AD		..RIVET- (SIZE DETERMINE ON INST) -----*-----		20
814J	BACB30NU4K7		..BOLT- (OPT ITEM 814K)		2
-814K	BACB30UR4K7		..BOLT- (OPT ITEM 814J)		2
815	BACB30NU4K5		..BOLT- (OPT ITEM 815A)		2
-815A	BACB30UR4K5		..BOLT- (OPT ITEM 815)		2
-815F	BACB30UR4K4		..BOLT- (OPT ITEM 815G)		2
815G	BACB30NU4K4		..BOLT- (OPT ITEM 815F)		2
815H	BACN10JQ42CD		..NUTPLATE ATTACHING PARTS		6
815J	BACR15BA3AD		..RIVET- (SIZE DETERMINE ON INST) -----*-----		12
-816	113T6125-1		.RIB INSTL-(LIMITED) (OPT ITEM 816A)	C	1
-816A	113T6125-3		.RIB INSTL- (OPT ITEM 816)	C	1
-816B	113T6125-3		DELETED		
-816C	113T6125-5		.RIB INSTL	A,B,G J,L N,Q,S T	1
-819	113T6125-2		.RIB INSTL-(LIMITED) (OPT ITEM 819A)	F	1
-819A	113T6125-4		.RIB INSTL- (OPT ITEM 819)	F	1
-819B	113T6125-4		DELETED		
-819C	113T6125-6		.RIB INSTL	D,E,H K,M P,R,U V	1

57-60-11

 ILLUSTRATED PARTS LIST
 01.1 Page 1084
 Jul 01/03

 **BOEING**
COMPONENT
MAINTENANCE MANUAL

FIG. & ITEM	PART NO.	AIRLINE PART NUMBER	NOMENCLATURE 1234567	EFF CODE	QTY PER ASSY
01-822	BACR15CE6KE		..RIVET- (SIZE DETERMINE ON INST)		6
825	HL11VAZ6-4		..BOLT- (V56878) (SPEC BACB30NW6K4) (OPT HL11V6-4 (V92215)) (OPT HL11V6-4 (V97928)) (OPT L803-6-4 (V06725)) (OPT B30NW6K4 (V97928)) (OPT HL11VAZ6-4 (V73197)) (OPT HL11VAZ6-4 (V92215)) (OPT HL11VAZ6-4 (V97928)) (OPT ITEM 825)		33
-825A	HL523AZ6-4		..BOLT- (V56878) (SPEC BACB30NZ6K4) (OPT HL523AZ6-4 (V06725)) (OPT L804-6K4 (V06725)) (OPT HL523AZ6-4 (V97928)) (OPT HL523AZ6-4 (V92215)) (OPT HL523AZ6-4 (V0PTK6)) (OPT HL523AZ6-4 (V60516)) (OPT HL523AZ6-4 (V73197)) (OPT ITEM 825)		33

57-60-11

ILLUSTRATED PARTS LIST
01.1 Page 1084A
Jul 01/03

FIG. & ITEM	PART NO.	AIRLINE PART NUMBER	NOMENCLATURE 1234567	EFF CODE	QTY PER ASSY
01-828	HL79-6		..COLLAR- (V5M902) (SPEC BACC30M6) (OPT HL79-6 (V73197)) (OPT HL79-6 (V92215)) (OPT 66014-6 (V56878)) (OPT HL79-6 (V56878)) (OPT ITEM 829 USED WITH ITEM 830)		33
-829	HL97KG6		..COLLAR- (V5M902) (SPEC BACC30AB6C) (OPT HL97PB6 (V92215)) (OPT HL97PB6 (V56878)) (OPT HL97KG6 (V73197)) (OPT HL97KG6 (V56878)) (OPT HL97PB6 (V73197)) (OPT ITEM 828) (USED WITH ITEM 830)		33
830	BACW10BP3NDP		..WASHER (USED WITH ITEM 829)		33

57-60-11

 ILLUSTRATED PARTS LIST
 01.1 Page 1084B
 Jul 01/03

 **BOEING**
COMPONENT
MAINTENANCE MANUAL

FIG. & ITEM	PART NO.	AIRLINE PART NUMBER	NOMENCLATURE 1234567	EFF CODE	QTY PER ASSY
01-831	HL11VAZ8-4		..BOLT- (V56878) (SPEC BACB30NW8K4) (OPT B30NW8K4 (V97928)) (OPT HL11VAZ8-4 (V73197)) (OPT HL11VAZ8-4 (V92215)) (OPT HL11VAZ8-4 (V97928)) (OPT L803-8K4 (V06725)) (OPT HL11VAZ8-4 (V0PTK6)) (OPT HL11VAZ8-4 (V60516)) (OPT ITEM 831A)		1
-831A	HL523AZ8-4		..BOLT- (V56878) (SPEC BACB30NZ8K4) (OPT HL523AZ8-4 (V97928)) (OPT L804-8K4 (V06725)) (OPT HL523AZ8-4 (V92215)) (OPT HL523AZ8-4 (V73197)) (OPT HL523AZ8-4 (V0PTK6)) (OPT HL523AZ8-4 (V60516)) (OPT HL523AZ8-4 (V06725)) (OPT ITEM 831)		1

57-60-11

ILLUSTRATED PARTS LIST
01.1 Page 1084C
Jul 01/03

FIG. & ITEM	PART NO.	AIRLINE PART NUMBER	NOMENCLATURE 1234567	EFF CODE	QTY PER ASSY
01-834	HL11VAZ8-5		..BOLT- (V56878) (SPEC BACB30NW8K5) (OPT B30NW8K5 (V97928)) (OPT HL11VAZ8-5 (V73197)) (OPT HL11VAZ8-5 (V92215)) (OPT HL11VAZ8-5 (V97928)) (OPT L803-8K5 (V06725)) (OPT HL11VAZ8-5 (V0PTK6)) (OPT HL11VAZ8-5 (V60516)) (OPT ITEM 834A)		5
-834A	HL523AZ8-5		..BOLT- (V56878) (SPEC BACB30NZ8K5) (OPT L804-8K5 (V06725)) (OPT HL523AZ8-5 (V92215)) (OPT HL523AZ8-5 (V73197)) (OPT HL523AZ8-5 (V0PTK6)) (OPT HL523AZ8-5 (V08524)) (OPT HL523AZ8-5 (V60516)) (OPT HL523AZ8-5 (V06725)) (OPT ITEM 834)		5
837	BACF3T01F8G8		..FILLER		4

57-60-11

 ILLUSTRATED PARTS LIST
 01.1 Page 1084D
 Jul 01/03

 **BOEING**
COMPONENT
MAINTENANCE MANUAL

FIG. & ITEM	PART NO.	AIRLINE PART NUMBER	NOMENCLATURE 1234567	EFF CODE	QTY PER ASSY
01-840	HL79-8		..COLLAR- (V5M902) (SPEC BACC30M8) (OPT HL79-8 (V73197)) (OPT HL79-8 (V92215)) (OPT 66014-8 (V56878)) (OPT HL79-8 (V56878)) (OPT ITEM 841 USED WITH ITEM 842)		6
-841	HL97KG8		..COLLAR- (V5M902) (SPEC BACC30AB8C) (OPT HL97PB8 (V92215)) (OPT HL97PB8 (V56878)) (OPT HL97KG8 (V73197)) (OPT HL97KG8 (V56878)) (OPT HL97PB8 (V73197)) (OPT ITEM 840 USED WITH ITEM 842)		6
842	BACW10BP4NDP		..WASHER (USED WITH ITEM 841)		6
842A	BACB30NU3K4		..BOLT		33
843	BACN10JQ32CD		..NUTPLATE ATTACHING PARTS		33

57-60-11

ILLUSTRATED PARTS LIST
01.1 Page 1084E
Jul 01/03

FIG. & ITEM	PART NO.	AIRLINE PART NUMBER	NOMENCLATURE 1234567	EFF CODE	QTY PER ASSY
01-847	BACR15BA3AD		..RIVET- (SIZE DETERMINE ON INST) -----*-----		66
850	BACB30NU4K5		..BOLT- (OPT ITEM 850A)		5
-850A	BACB30UR4K5		..BOLT (OPT ITEM 850)		3
851	BACB30NU4K4		..BOLT		1
851A	BACB30NU4K5		..BOLT		3
852	BACN10JQ42CD		..NUTPLATE ATTACHING PARTS		4
852G	BACR15BA3AD		..RIVET- (SIZE DETERMINE ON INST) -----*-----		8
853	BACR15GA6		DELETED		
853A	BACR15GA6-7		.RIVET- (OPT ITEM 853B)		54
853B	113T6100-11		.RIVET- (OPT ITEM 853A)		54
856	113T6131-1		.BOND ASSY-UPR PNL (REPLD BY ITEM 856A)	C	1
-856A	113T6131-27		.BOND ASSY-UPR PNL (REPLS ITEM 856)	C	1
-856B	113T6131-27		.BOND ASSY-UPR PNL (REPLD BY ITEM 856C)	A,B,G ,J,L	1
-856C	113T6131-21		.BOND ASSY-UPR PNL (REPLS ITEM 856B)	A,B,G ,J,L	1
-856D	113T6131-21		.BOND ASSY-UPR PNL	N,Q,S ,T	1

57-60-11

 ILLUSTRATED PARTS LIST
 01.1 Page 1084F
 Jul 01/03

 **BOEING**
COMPONENT
MAINTENANCE MANUAL

FIG. & ITEM	PART NO.	AIRLINE PART NUMBER	NOMENCLATURE 1234567	EFF CODE	QTY PER ASSY
01- -859	113T6131-2		.BOND ASSY-UPR PNL (REPLD BY ITEM 859A)	F	1
-859A	113T6131-28		.BOND ASSY-UPR PNL (REPLS ITEM 859)	F	1
-859B	113T6131-28		.BOND ASSY-UPR PNL (REPLD BY ITEM 859C)	D,E,H ,K,M	1
-859C	113T6131-22		.BOND ASSY-UPR PNL (REPLS ITEM 859B)	D,E,H ,K,M	1
-859D	113T6131-22		.BOND ASSY-UPR PNL	P,R,U ,V	1
862	113T6130-1		.PANEL ASSY-LWR (REPLD BY ITEM 862A)	A,B,G ,J,L	1
-862A	113T6130-11		.PANEL ASSY-LWR (REPLS ITEM 862)	A,B,G ,J,L	1
-862B	113T6130-1		.PANEL ASSY-LWR	C	1
-862C	113T6130-11		.PANEL ASSY-LWR	N,Q,S ,T	1
-865	113T6130-2		.PANEL ASSY-LWR (REPLD BY ITEM 865A)	D,E,H ,K,M	1
-865A	113T6130-12		.PANEL ASSY-LWR (REPLS ITEM 865)	D,E,H ,K,M	1
-865B	113T6130-2		.PANEL ASSY-LWR	F	1
-865C	113T6130-12		.PANEL ASSY-LWR	P,R,U ,V	1
868	BRF200C3M		DELETED		
868A	BACN10JQ32CD		..NUTPLATE- (USED ON ITEMS 862, 862B, 865, 865B)	A-C,G ,J	29
868B	BACN10JQ42CD		DELETED		
869	BRF200C3D		..NUTPLATE- (V52828) (SPEC BACN10JR3CFD) (OPT K51602-3BAC (V15653)) (OPT NS202476-02 (V80539)) (OPT 102F9201-3 (V72962)) (OPT T8092C1032CD (V11815)) (USED ON ITEMS 862A, 865A)	A,B,D ,E, J-V	50

57-60-11

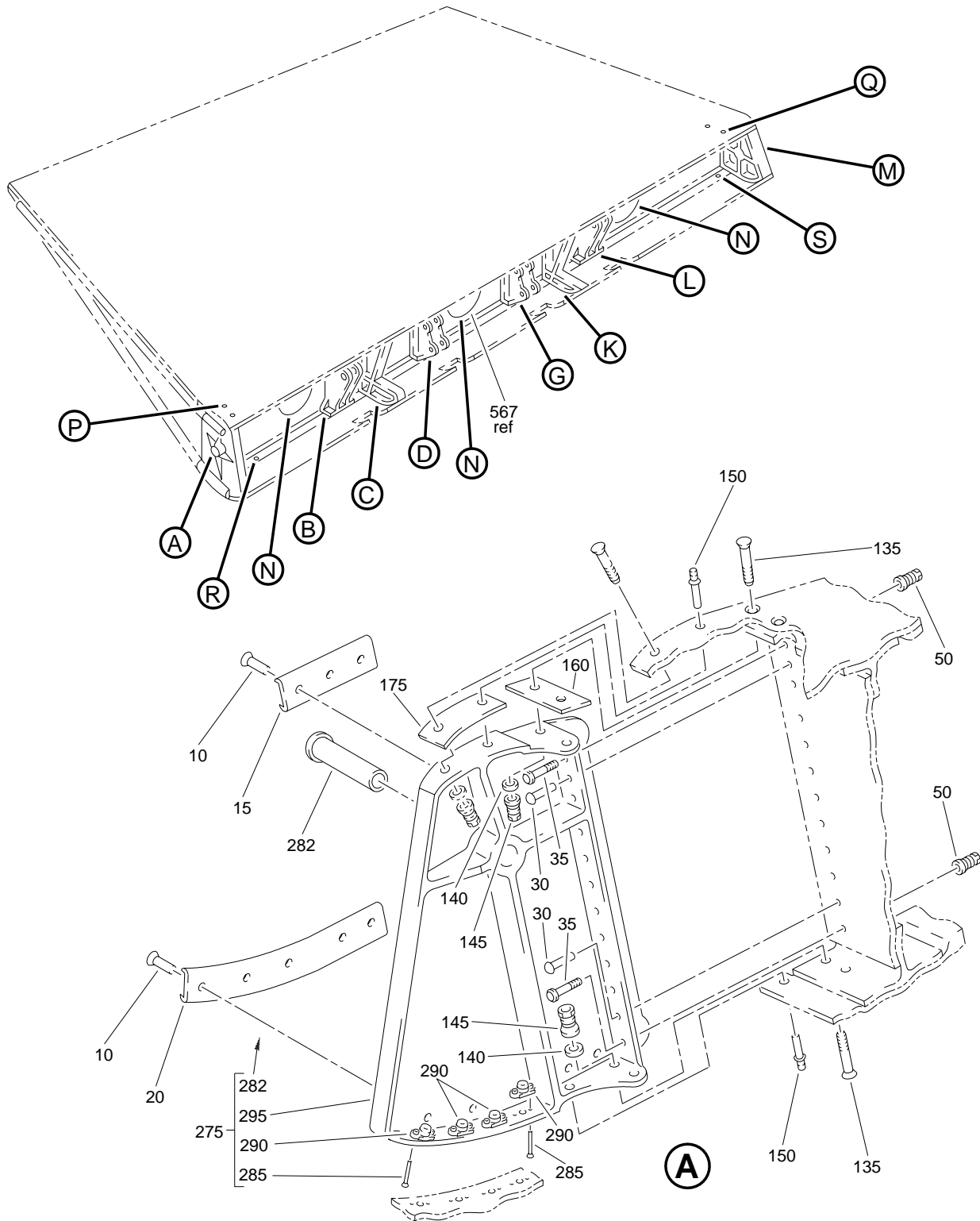
ILLUSTRATED PARTS LIST
01.1 Page 1084G
Jul 01/03

FIG. & ITEM	PART NO.	AIRLINE PART NUMBER	NOMENCLATURE 1234567	EFF CODE	QTY PER ASSY
01-870	BACN10JQ42CD		DELETED ATTACHING PARTS		
871	AF5141-3-3		..RIVET- (V53551) (SPEC BACR15DR3A3) (OPT RV541A3-3 (V98996)) (OPT CCR264CS3-3TT (V11815)) (USED WITH ITEMS 868A, 868B) (SIZE DETERMINE ON INST)		58
873	AF5141-3-3		..RIVET- (V53551) (SPEC BACR15DR3A3) (OPT RV541A3-3 (V98996)) (OPT CCR264CS3-3TT (V11815)) (USED WITH ITEMS 869, 870) (SIZE DETERMINE ON INST)		100
874	113T6130-3		-----*----- ..BOND ASSY	A-C,G ,J,L, N,Q,S ,T	1
-877	113T6130-4		..BOND ASSY	D-F,H ,K,M, P,R,U ,V	1

- Item Not Illustrated

57-60-11

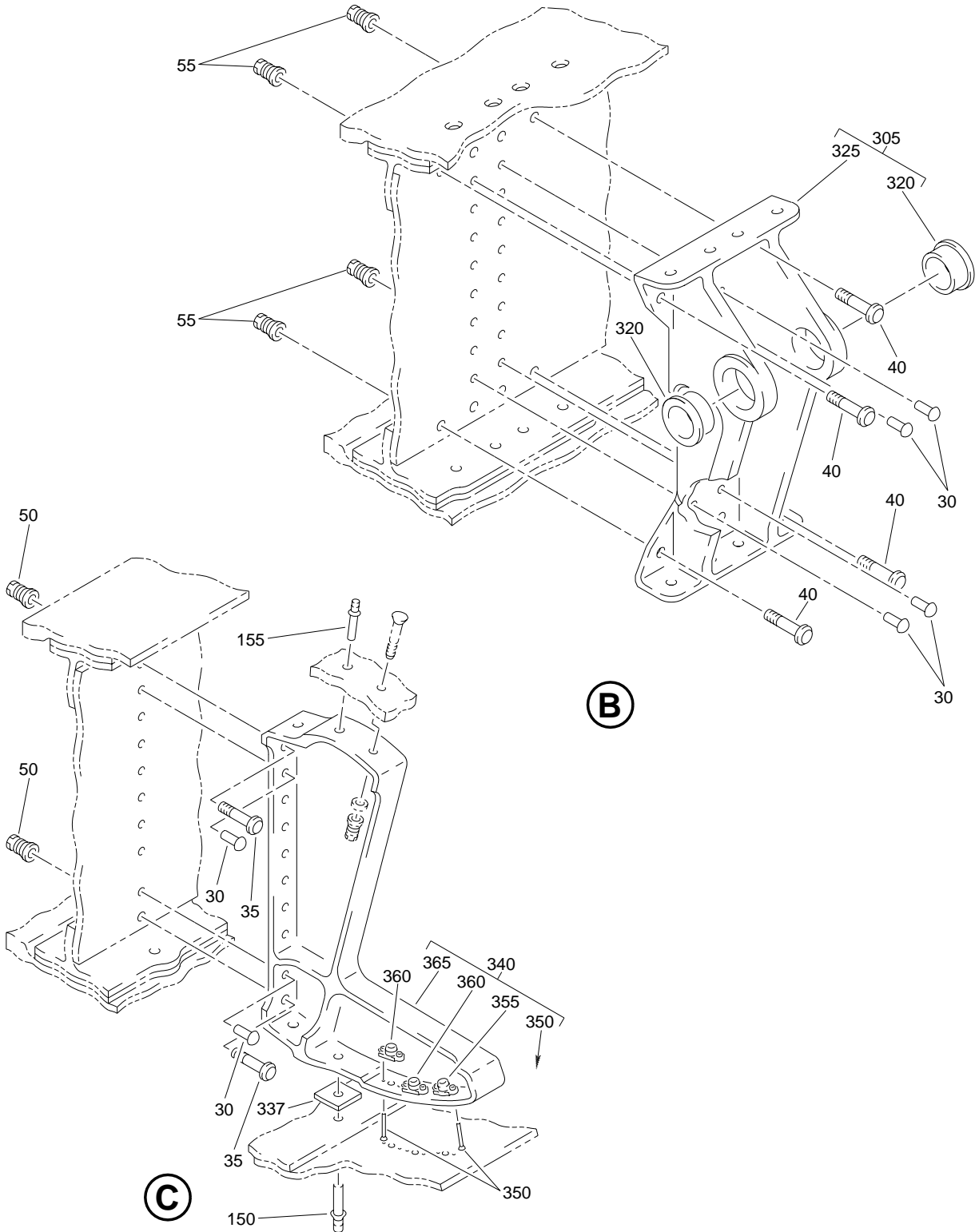
 ILLUSTRATED PARTS LIST
 01.1 Page 1084H
 Jul 01/03



Inboard Aileron Nose Installation
 Figure 2 (Sheet 1)

57-60-11

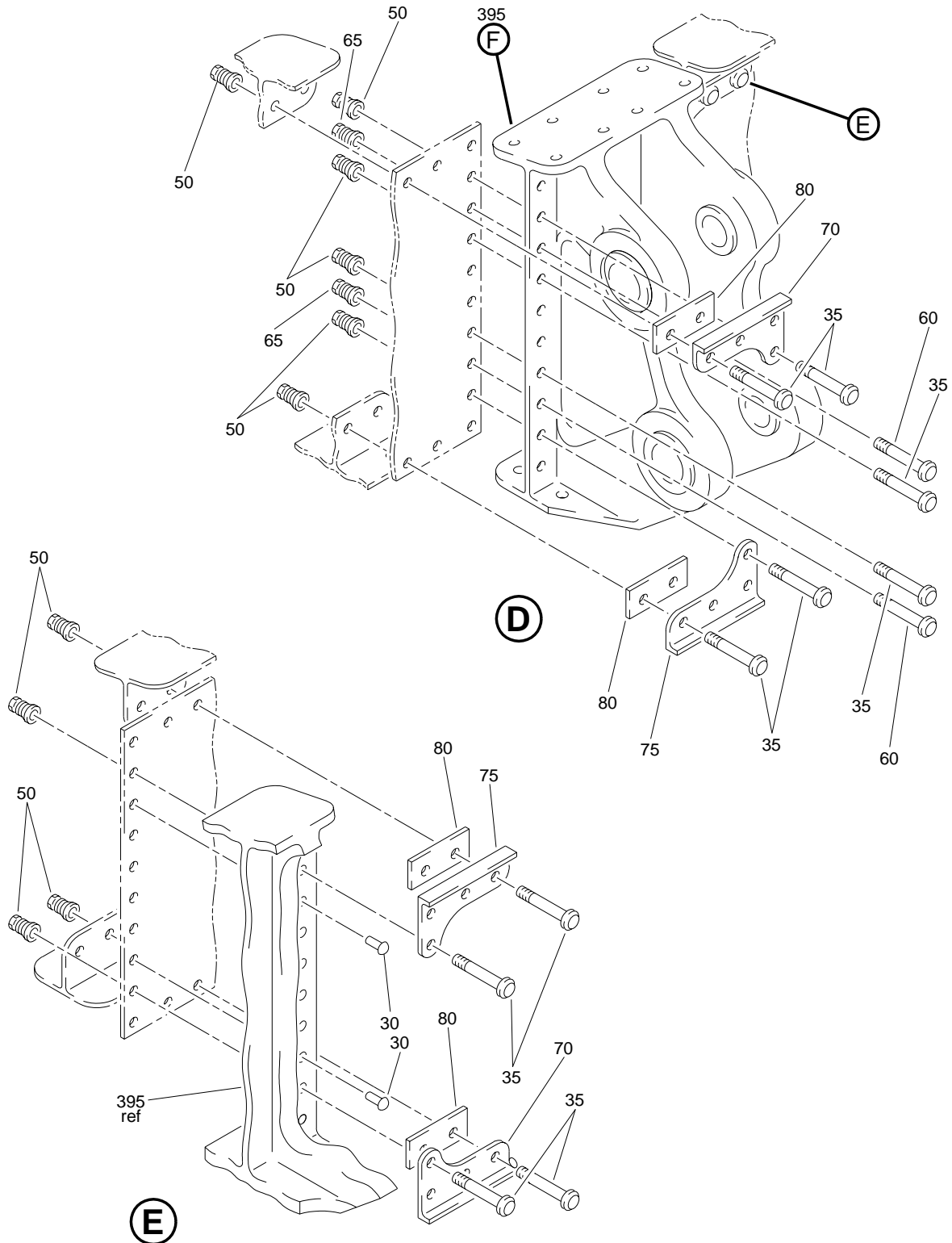
ILLUSTRATED PARTS LIST
 01.1 Page 1084J
 Jul 01/03



Inboard Aileron Nose Installation
Figure 2 (Sheet 2)

57-60-11

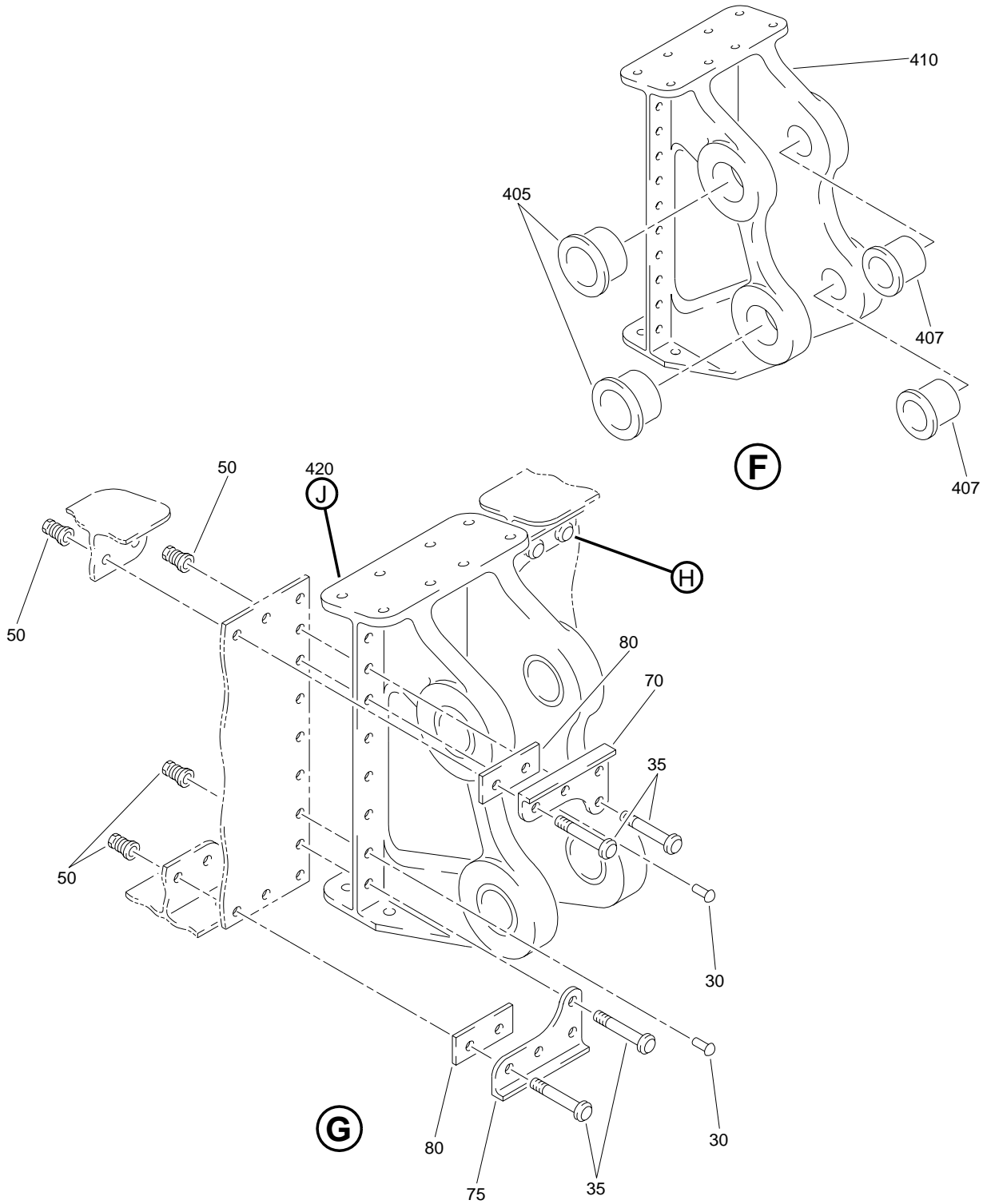
ILLUSTRATED PARTS LIST
01.1 Page 1084K
Jul 01/03



Inboard Aileron Nose Installation
 Figure 2 (Sheet 3)

57-60-11

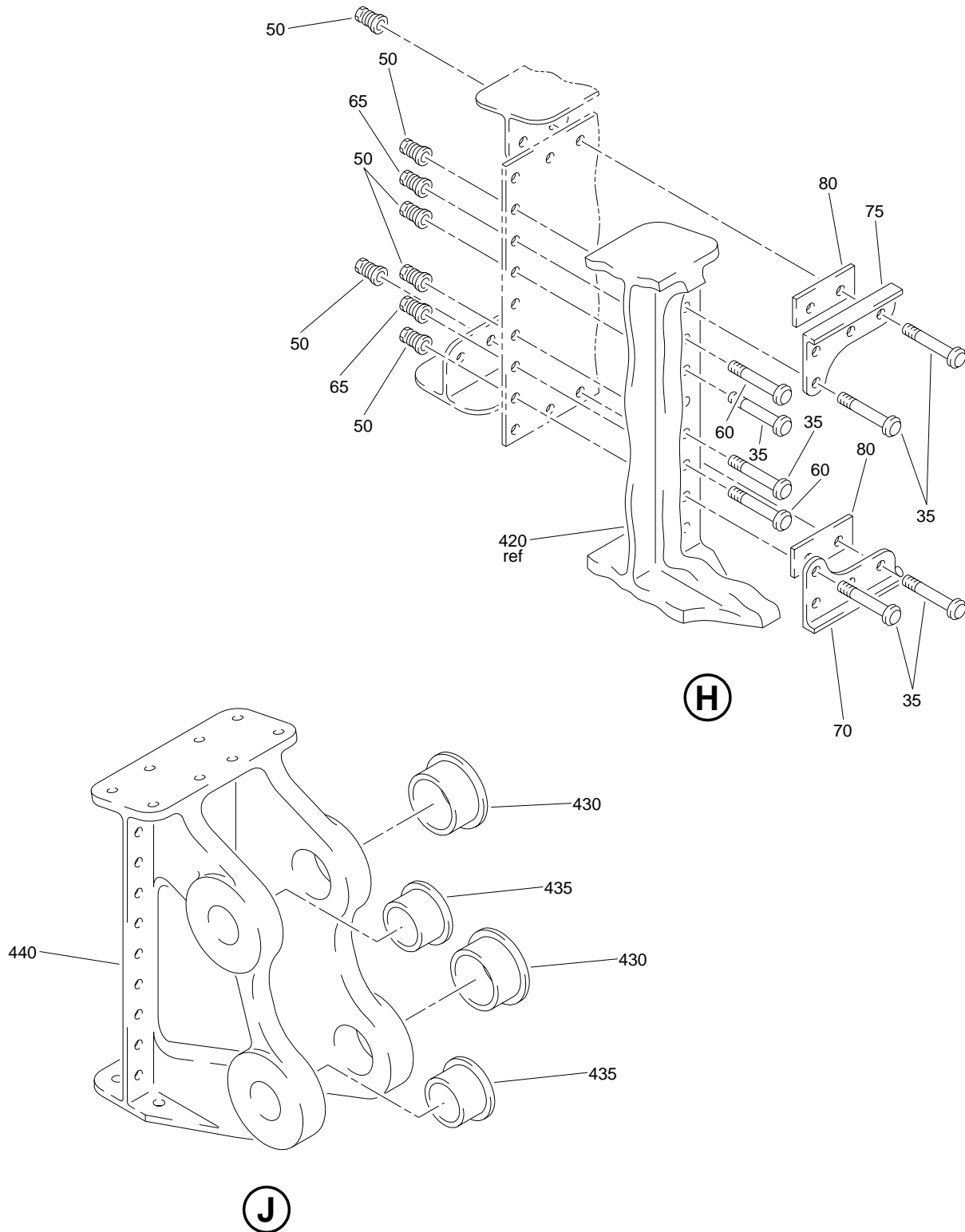
ILLUSTRATED PARTS LIST
 01.1 Page 1084L
 Jul 01/03



Inboard Aileron Nose Installation
Figure 2 (Sheet 4)

57-60-11

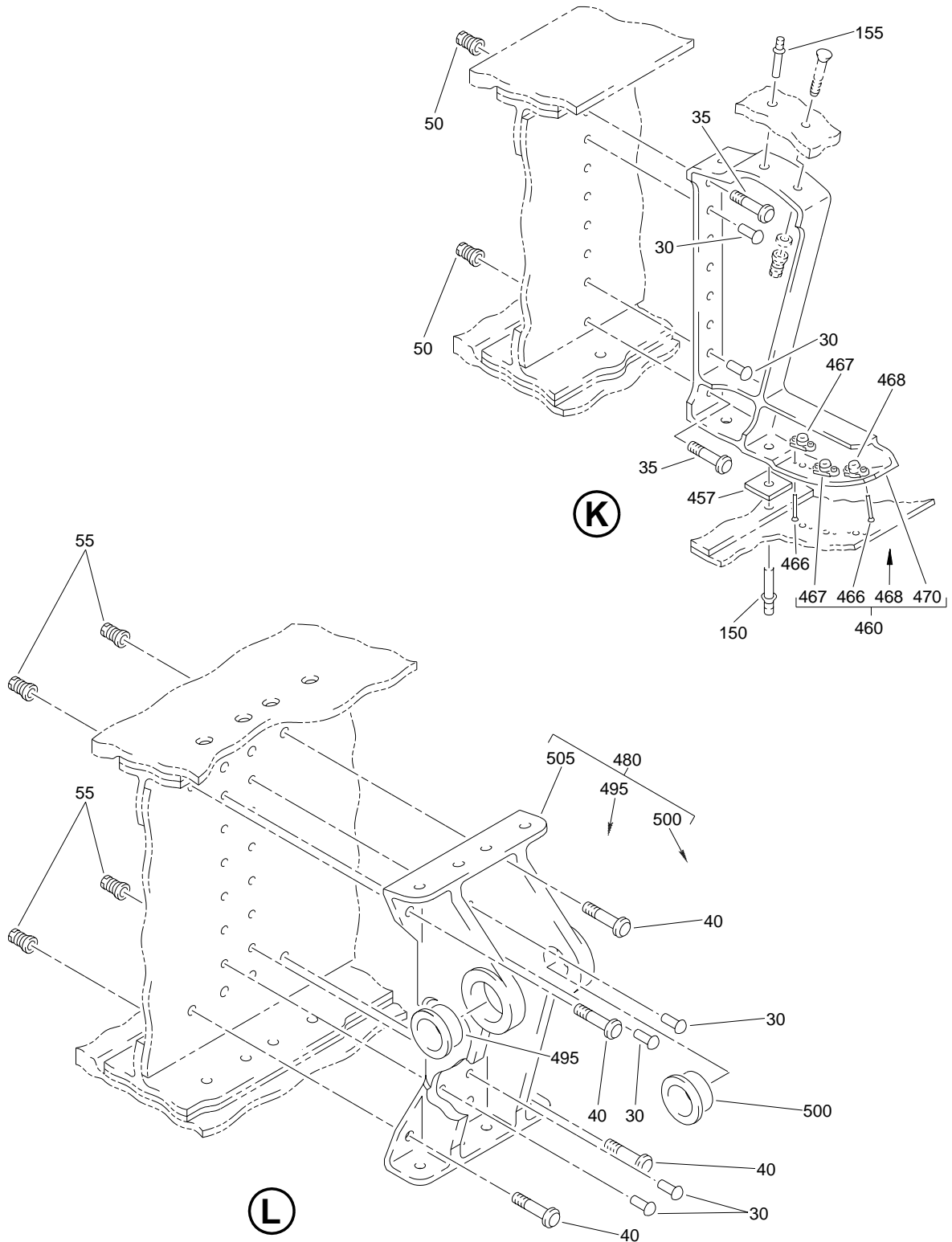
ILLUSTRATED PARTS LIST
01.1 Page 1084M
Jul 01/03



**Inboard Aileron Nose Installation
 Figure 2 (Sheet 5)**

57-60-11

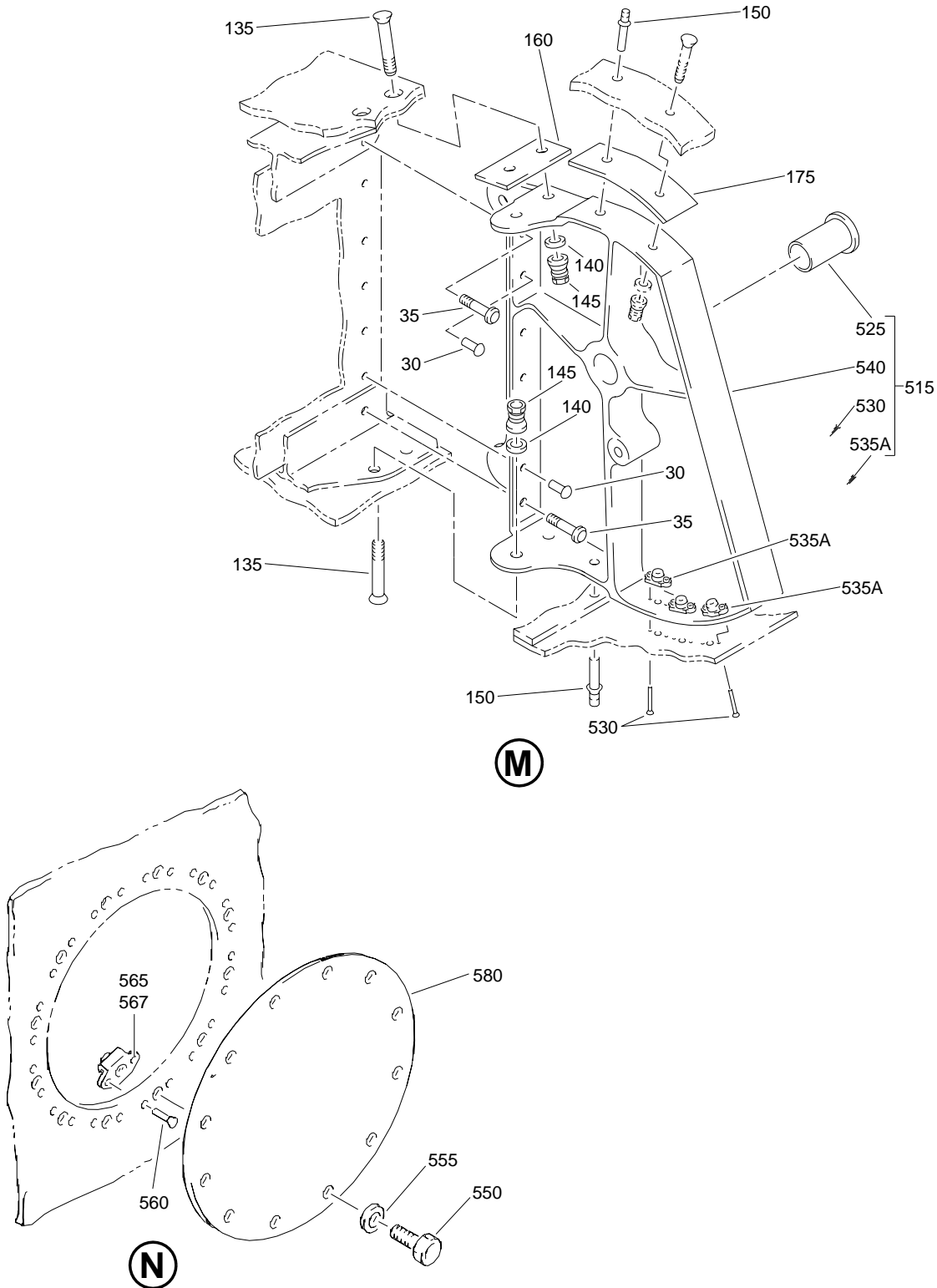
**ILLUSTRATED PARTS LIST
 01.1 Page 1084N
 Jul 01/03**



Inboard Aileron Nose Installation
Figure 2 (Sheet 6)

57-60-11

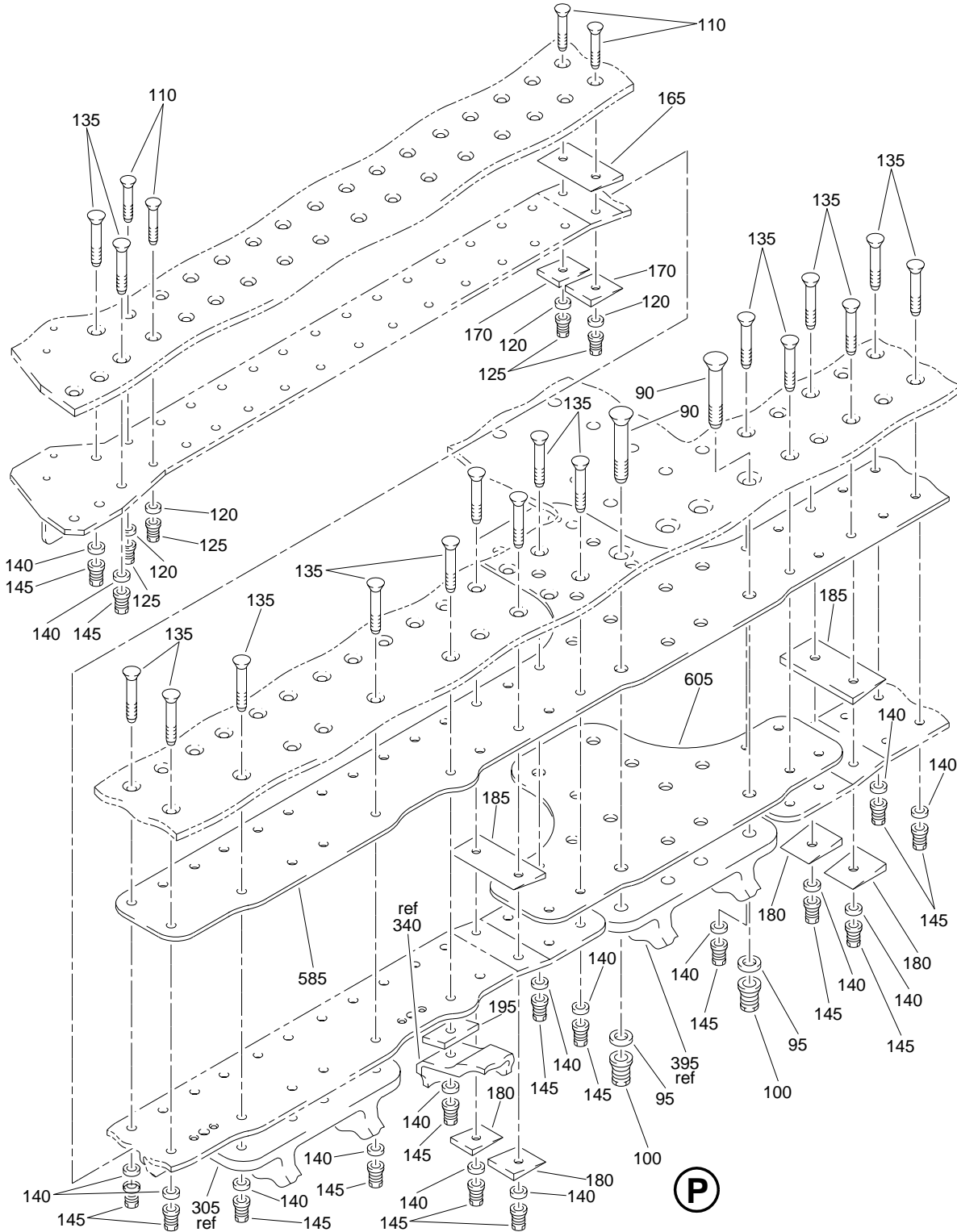
ILLUSTRATED PARTS LIST
01.1 Page 10840
Jul 01/03



Inboard Aileron Nose Installation
Figure 2 (Sheet 7)

57-60-11

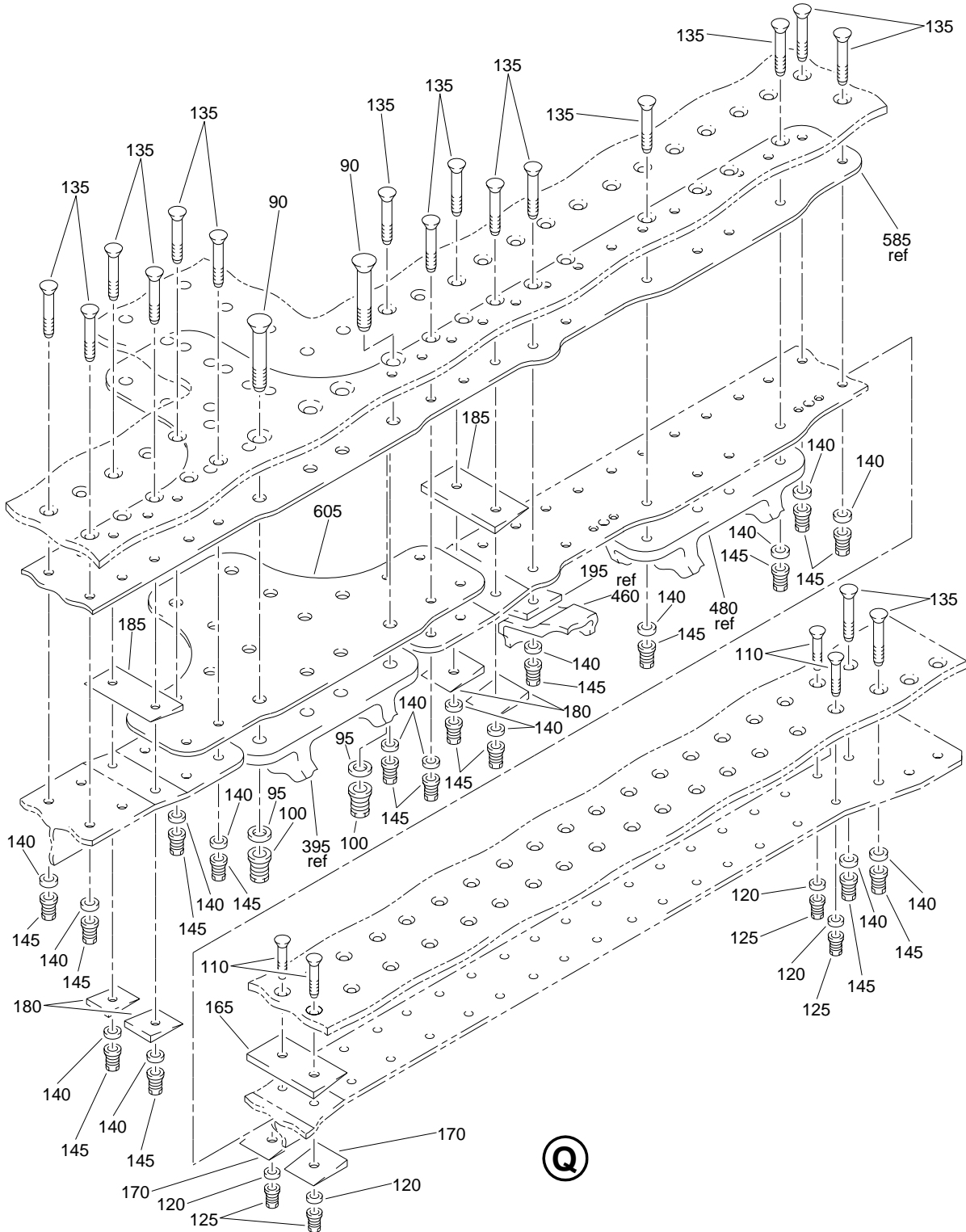
ILLUSTRATED PARTS LIST
 01.1 Page 1084P
 Jul 01/03



Inboard Aileron Nose Installation
Figure 2 (Sheet 8)

57-60-11

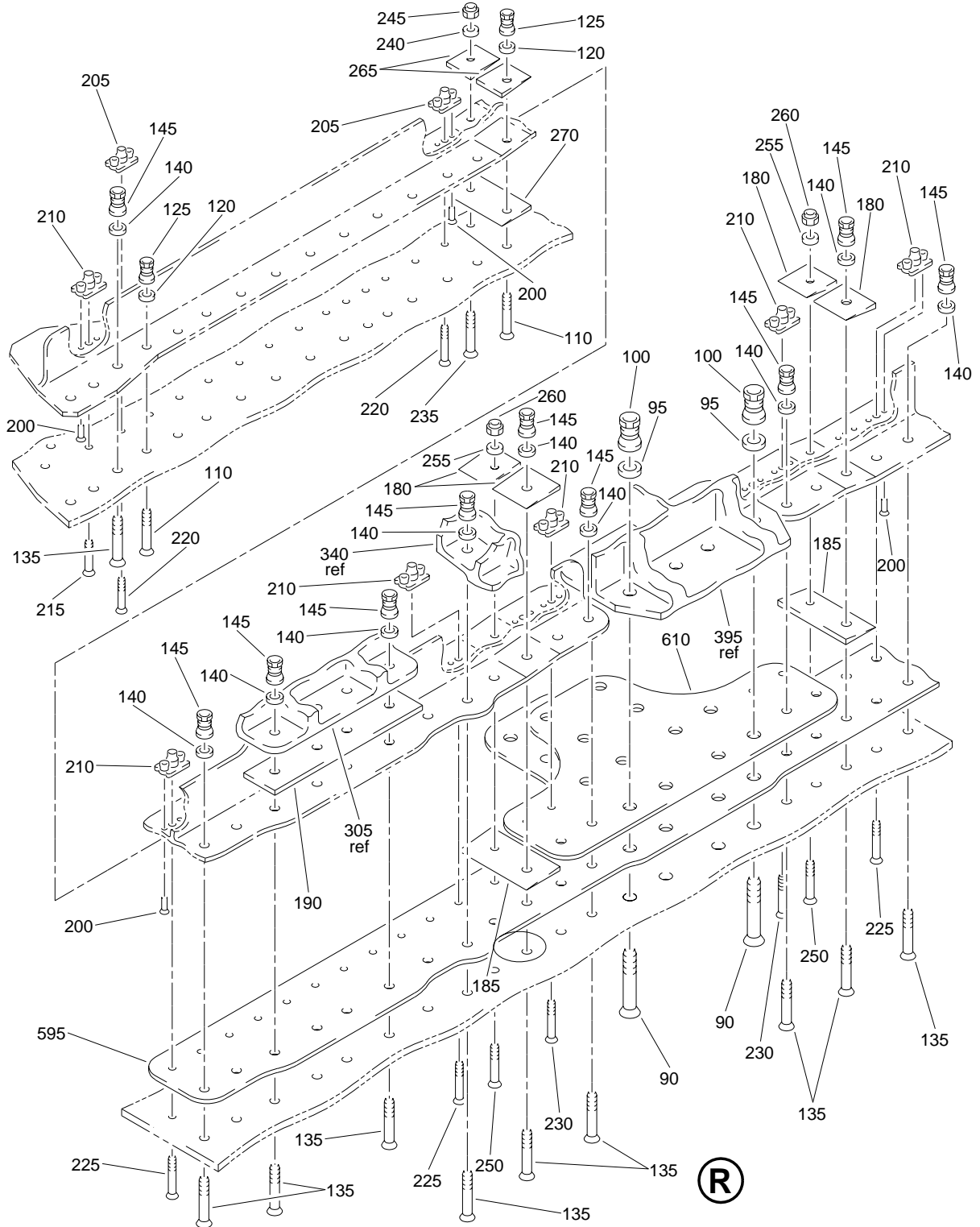
ILLUSTRATED PARTS LIST
01.1 Page 1084Q
Jul 01/03



Inboard Aileron Nose Installation
Figure 2 (Sheet 9)

57-60-11

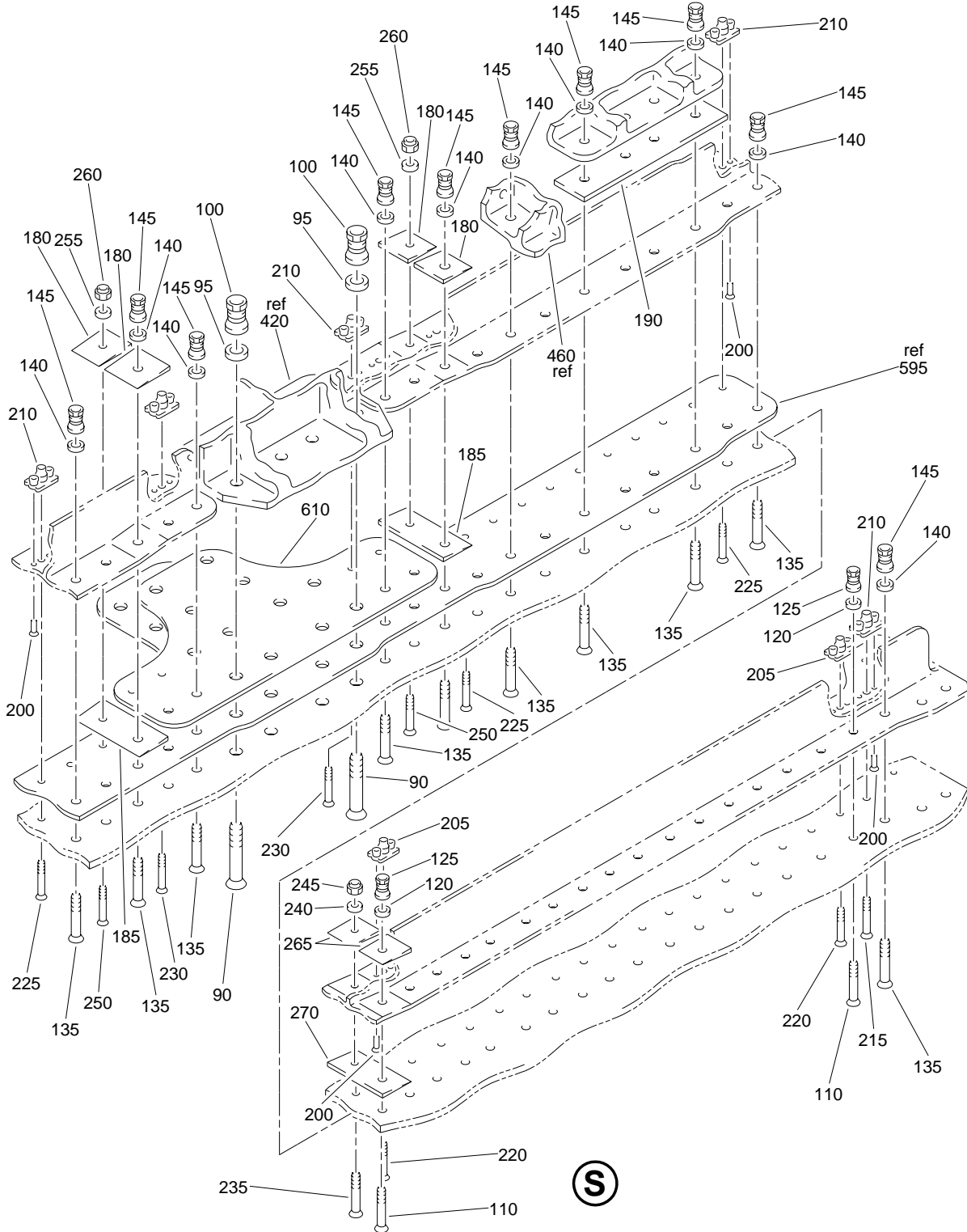
ILLUSTRATED PARTS LIST
01.1 Page 1084R
Jul 01/03



Inboard Aileron Nose Installation
Figure 2 (Sheet 10)

57-60-11

ILLUSTRATED PARTS LIST
01.1 Page 1084S
Jul 01/03



Inboard Aileron Nose Installation
Figure 2 (Sheet 11)

57-60-11

ILLUSTRATED PARTS LIST
 01.1 Page 1084T
 Jul 01/03

BOEING
COMPONENT
MAINTENANCE MANUAL

FIG. & ITEM	PART NO.	AIRLINE PART NUMBER	NOMENCLATURE 1234567	EFF CODE	QTY PER ASSY
R 02- -1A	113T6110-93		NOSE INSTL- (LIMITED)	A,B,G ,J,L	RF
R -1B	113T6110-93		NOSE INSTL	N,Q	RF
R -1C	113T6110-119		NOSE INSTL	S,T	RF
R -5	113T6110-94		NOSE INSTL- (LIMITED)	D,E,H ,K,M	RF
R -5A	113T6110-94		NOSE INSTL	P,R	RF
R -5B	113T6110-120		NOSE INSTL	U,V	RF
R 10	BACR15BA6KE		.RIVET- (SIZE DETERMINE ON INST)	A,B,D ,E, G-V	8
R 15	113T6110-91		.RETAINER-SEAL	A,B,D ,E, G-R	1
R -15A	113T6110-121		.RETAINER-SEAL	S-V	1
R 20	113T6110-87		.RETAINER-SEAL	A,B,G ,L,N, Q,S,T	1
R -25	113T6110-88		.RETAINER-SEAL	D,E,H ,K,M, P,R,U ,V	1
R 30	BACR15FT6KE		.RIVET- (SIZE DETERMINE ON INST)	A,B,D ,E, G-V	68
R 35	BACB30MY6K		..BOLT- (SIZE DETERMINE ON INST)	A,B,D ,E, G-V	47
R 40	BACB30MY8K		..BOLT- (SIZE DETERMINE ON INST)	A,B,D ,E, G-V	16

57-60-11

ILLUSTRATED PARTS LIST
01.1 Page 1084U
Jul 01/03

FIG. & ITEM	PART NO.	AIRLINE PART NUMBER	NOMENCLATURE 1234567	EFF CODE	QTY PER ASSY
R 02-50	HL79-6		.COLLAR- (V5M902) (SPEC BACC30M6) (OPT HL79-6 (V73197)) (OPT HL79-6 (V92215)) (OPT 66014-6 (V56878)) (OPT HL79-6 (V56878))	A,B,D ,E, G-V	47
R 55	HL79-8		.COLLAR- (V5M902) (SPEC BACC30M8) (OPT HL79-8 (V73197)) (OPT HL79-8 (V92215)) (OPT 66014-8 (V56878)) (OPT HL79-8 (V56878))	A,B,D ,E, G-V	16
R 60	L8056A		.BOLT- (V06725) (SPEC BACB30FM6A) (OPT HL18-6A (V06725))	A,B,D ,E, G-V	4
R 65	HL79-6		.COLLAR- (V5M902) (SPEC BACC30M6) (OPT HL79-6 (V73197)) (OPT HL79-6 (V92215)) (OPT 66014-6 (V56878)) (OPT HL79-6 (V56878))	A,B,D ,E, G-V	4

57-60-11

 ILLUSTRATED PARTS LIST
 01.1 Page 1084V
 Jul 01/03

 **BOEING**
COMPONENT
MAINTENANCE MANUAL

FIG. & ITEM	PART NO.	AIRLINE PART NUMBER	NOMENCLATURE 1234567	EFF CODE	QTY PER ASSY
R 02-70	113T6110-47		.ANGLE	A,B,G ,J,L, N,Q,S ,T	4
R 75	113T6110-48		.ANGLE	D,E,H ,K,M, P,R,U ,V	4
R 80	BACS40R007E015F		.SHIM	A,B,D ,E, G-V	8
R -85	113T6110-115		.KIT ASSY-SUBSTITUTION (OPT ITEMS 85A, 85B, 85C)	A,B,D ,E, G-V	16
R -85A	113T6110-111		.KIT ASSY-SUBSTITUTION (OPT ITEMS 85, 85B, 85C)	A,B,D ,E, G-V	16
R -85B	113T6110-113		.KIT ASSY-SUBSTITUTION (OPT ITEMS 85, 85A, 85C)	A,B,D ,E, G-V	16
R -85C	113T6110-116		.KIT ASSY-SUBSTITUTION (OPT ITEMS 85, 85A, 85B)	A,B,D ,E, G-V	16
R 90	HL11VAZ10-9		..BOLT- (V56878) (SPEC BACB30NW10K9) (OPT B30NW10K9 (V97928)) (OPT HL11VAZ10-9 (V73197)) (OPT HL11VAZ10-9 (V92215)) (OPT HL11VAZ10-9 (V97928)) (OPT L803-10K9 (V06725)) (OPT HL11VAZ10-9 (V0PTK6)) (OPT HL11VAZ10-9 (V60516)) (USED ON ITEM 85)	A,B,D ,E, G-V	1
R -90A	BACB30NU5K9		..BOLT- (USED ON ITEM 85A)	A,B,D ,E, G-V	1

57-60-11

ILLUSTRATED PARTS LIST
01.1 Page 1084W
Jul 01/03

FIG. & ITEM	PART NO.	AIRLINE PART NUMBER	NOMENCLATURE 1234567	EFF CODE	QTY PER ASSY
R 02-90B	L804-10K10		..BOLT- (V06725) (SPEC BACB30NZ10K10) (OPT HL523AZ10-10 (V56878)) (OPT HL523AZ10-10 (V73197)) (OPT HL523AZ10-10 (V92215)) (OPT HL523AZ10-10 (V97928)) (OPT HL523AZ10-10 (V0PTK6)) (OPT HL523AZ10-10 (V06725)) (OPT HL523AZ10-10 (V60516)) (USED ON ITEMS 85B, 85C)	A,B,D ,E, G-V	1
R 95	AN960PD516		..WASHER- (USED ON ITEM 85A)	A,B,D ,E, G-V	1
R -95A	BACW10BP5DP		..WASHER- (USED ON ITEM 85B)	A,B,D ,E, G-V	1
R 100	HL79-10		..COLLAR- (V5M902) (SPEC BACC30M10) (OPT HL79-10 (V73197)) (OPT HL79-10 (V92215)) (OPT 66014-10 (V56878)) (OPT HL79-10 (V56878)) (USED ON ITEMS 85, 85C)	A,B,D ,E, G-V	1

57-60-11

 ILLUSTRATED PARTS LIST
 01.1 Page 1084X
 Jul 01/03

 **BOEING**
COMPONENT
MAINTENANCE MANUAL

FIG. & ITEM	PART NO.	AIRLINE PART NUMBER	NOMENCLATURE 1234567	EFF CODE	QTY PER ASSY
R 02-100A	BRH10C5D		..NUT- (V52828) (SPEC BACN10JC5CD) (OPT T6C524JCD (V11815)) (OPT 102LH9075-5W (V72962)) (OPT H51650-5BAC (V15653)) (USED ON ITEM 85A	A,B,D ,E, G-V	1
R -100B	HL97KG10		..COLLAR- (V5M902) (SPEC BACC30AB10C) (OPT HL97PB10 (V5M902)) (OPT HL97PB10 (V56878)) (OPT HL97KG10 (V73197)) (OPT HL97KG10 (V56878)) (USED ON ITEM 85B)	A,B,D ,E, G-V	1
R -105	113T6110-117		.KIT ASSY-SUBSTITUTION (OPT ITEM 105A)	A,B,D ,E, G-V	1
R -105A	113T6110-112		.KIT ASSY-SUBSTITUTION (OPT ITEM 105)	A,B,D ,E, G-V	1
R 110	BACB30NW6K		..BOLT- (SIZE DETERMINE ON INST) (USED ON ITEM 105)	A,B,D ,E, G-V	93
R -110A	BACB30NZ6K		..BOLT- (SIZE DETERMINE ON INST) (USED ON ITEM 105A)	A,B,D ,E, G-V	93
R 120	BACW10BP3NDP		..WASHER- (USED ON ITEM 105A)	A,B,D ,E, G-V	93

57-60-11

ILLUSTRATED PARTS LIST
01.1 Page 1084Y
Jul 01/03

FIG. & ITEM	PART NO.	AIRLINE PART NUMBER	NOMENCLATURE 1234567	EFF CODE	QTY PER ASSY
R 02-125	HL79-6		..COLLAR- (V5M902) (SPEC BACC30M6) (OPT HL79-6 (V73197)) (OPT HL79-6 (V92215)) (OPT 66014-6 (V56878)) (OPT HL79-6 (V56878)) (USED ON ITEM 105)	A,B,D ,E, G-V	93
R -125A	HL97KG6		..COLLAR- (V5M902) (SPEC BACC30AB6C) (OPT HL97PB6 (V5M902)) (OPT HL97PB6 (V56878)) (OPT HL97KG6 (V73197)) (OPT HL97KG6 (V56878)) (OPT HL97PB6 (V73197)) (USED ON ITEM 105A)	A,B,D ,E, G-V	93
R -130	113T6110-118		.KIT ASSY- (OPT ITEM 130A)	A,B,D ,E, G-V	1
R -130A	113T6110-114		.KIT ASSY- (OPT ITEM 130)	A,B,D ,E, G-V	1
R 135	BACB30NW8K		..BOLT- (SIZE DETERMINE ON INST) (USED ON ITEM 130)	A,B,D ,E, G-V	116
R -135A	BACB30NZ8K		..BOLT- (SIZE DETERMINE ON INST) (USED ON ITEM 130A)	A,B,D ,E, G-V	116
R 140	BACW10BP4NDP		..WASHER- (USED ON ITEM 120A)	A,B,D ,E, G-V	116

57-60-11

 ILLUSTRATED PARTS LIST
 01.1 Page 1084Z
 Jul 01/03

 **BOEING**
COMPONENT
MAINTENANCE MANUAL

FIG. & ITEM	PART NO.	AIRLINE PART NUMBER	NOMENCLATURE 1234567	EFF CODE	QTY PER ASSY
R 02-145	HL79-8		..COLLAR- (V5M902) (SPEC BACC30M8) (OPT HL79-8 (V73197)) (OPT HL79-8 (V92215)) (OPT 66014-8 (V56878)) (OPT HL79-8 (V56878)) (USED ON ITEM 130)	A,B,D ,E, G-V	116
R -145A	HL97KG8		..COLLAR- (V5M902) (SPEC BACC30AB8C) (OPT HL97PB8 (V5M902)) (OPT HL97PB8 (V56878)) (OPT HL97KG8 (V73197)) (OPT HL97KG8 (V56878)) (OPT HL97PB8 (V73197)) (USED ON ITEM 130A)	A,B,D ,E, G-V	116
R 150	NAS1399MW6-4		.RIVET	A,B,D ,E, G-V	6
R 155	NAS1399MW6-3		.RIVET	A,B,D ,E, G-V	2
R 160	BACS40R010B019F		.SHIM	A,B,D ,E, G-V	2
R 165	BACF3T01F05-18		.FILLER	A,B,D ,E, G-V	2
R 170	BACF3T01F05-07		.FILLER	A,B,D ,E, G-V	4
R 175	BACS40R009B031F		.SHIM	A,B,D ,E, G-V	2

57-60-11

ILLUSTRATED PARTS LIST
01.1 Page 1085
Jul 01/03

FIG. & ITEM	PART NO.	AIRLINE PART NUMBER	NOMENCLATURE 1234567	EFF CODE	QTY PER ASSY
R 02-180	BACF3T02G07-09		. FILLER	A,B,D E G-V	16
R 185	BACF3T02G07-24		. FILLER	A,B,D E G-V	8
R 190	BACS40R011B055F		. SHIM	A,B,D E G-V	2
R 195	BACS40R010B010F		. SHIM	A,B,D E G-V	2
R 200	BACR15BA3AD		. RIVET- (SIZE DETERMINE ON INST)	A,B,D E G-V	132
R 205	MF51594-3-2BAC		. NUTPLATE- (V15653) (SPEC BACN10YF32CD)	A,B,D E G-V	30
R 210	MF51594-4-2BAC		. NUTPLATE- (V15653) (SPEC BACN10YF42CD)	A,B,D E G-V	36
R 215	BACB30NU4K4		. BOLT- (OPT ITEM 215A)	A,B,D E G-R	2
R -215A	BACB30UR4K4		. BOLT- (OPT ITEM 215)	A,B,D E G-R	2
R -215B	BACB30VF4K4		. BOLT	S-V	2
R 220	BACB30NU3K4		. BOLT- (OPT ITEM 220A)	A,B,D E G-R	30
R -220A	BACB30UR3K4		. BOLT- (OPT ITEM 220)	A,B,D E G-R	30
R -220B	BACB30VF3K4		. BOLT	S-V	30

57-60-11

 ILLUSTRATED PARTS LIST
 01.1 Page 1086
 Jul 01/03

 **BOEING**
COMPONENT
MAINTENANCE MANUAL

FIG. & ITEM	PART NO.	AIRLINE PART NUMBER	NOMENCLATURE 1234567	EFF CODE	QTY PER ASSY
R 02-225	BACB30NU4K5		.BOLT- (OPT ITEM 225A)	A,B,D ,E, G-R	26
R -225A	BACB30UR4K5		.BOLT- (OPT ITEM 225)	A,B,D ,E, G-R	26
R -225B	BACB30VF4K5		.BOLT	S-V	26
R 230	BACB30NU4K7		.BOLT- (OPT ITEM 230A)	A,B,D ,E, G-R	8
R -230A	BACB30UR4K7		.BOLT- (OPT ITEM 230)	A,B,D ,E, G-R	8
R -230B	BACB30VF4K7		.BOLT	S-V	8
R 235	BACB30NU3K5		.BOLT- (OPT ITEM 235A)	A,B,D ,E, G-R	2
R -235A	BACB30UR3K5		.BOLT- (OPT ITEM 235)	A,B,D ,E, G-R	2
R -235B	BACB30VF3K5		.BOLT	S-V	2
R 240	NAS1149D0363J		.WASHER	A,B,D ,E, G-V	2
R 245	BRH10C3D		.NUT- (V52828) (SPEC BACN10JC3CD) (OPT T6C1032JCD (V11815)) (OPT NS202486-02 (V80539)) (OPT 102LH9075-3W (V72962)) (OPT H51650-3BAC (V15653))	A,B,D ,E, G-V	2

57-60-11

ILLUSTRATED PARTS LIST
01.1 Page 1086A
Jul 01/03

FIG. & ITEM	PART NO.	AIRLINE PART NUMBER	NOMENCLATURE 1234567	EFF CODE	QTY PER ASSY
R 02-250	BACB30NU4K7		.BOLT- (OPT ITEM 250A)	A,B,D ,E, G-R	4
R -250A	BACB30UR4K7		.BOLT- (OPT ITEM 250)	A,B,D ,E, G-R	4
R -250B	BACB30VF4K7		.BOLT	S-V	4
R 255	NAS1149D0463J		.WASHER	A,B,D ,E, G-V	4
R 260	BRH10C4D		.NUT- (V52828) (SPEC BACN10JC4CD) (OPT T6C428JCD (V11815)) (OPT NS202486-048 (V80539)) (OPT 102LH9075-4W (V72962)) (OPT H51650-4BAC (V15653))	A,B,D ,E, G-V	4
R 265	BACF3T01F05-07		.FILLER	A,B,D ,E, G-V	4
R 270	BACF3T01F05-18		.FILLER	A,B,D ,E, G-V	2
R 275	113T6145-11		.FITTING ASSY-FAIL SAFE HINGE SPRT	A,B,G ,J,L, N,Q,S ,T	1

57-60-11

 ILLUSTRATED PARTS LIST
 01.1 Page 1086B
 Jul 01/03

BOEING
COMPONENT
MAINTENANCE MANUAL

FIG. & ITEM	PART NO.	AIRLINE PART NUMBER	NOMENCLATURE 1234567	EFF CODE	QTY PER ASSY
R 02-280	113T6145-12		.FITTING ASSY-FAIL SAFE HINGE SPRT	D,E,H ,K,M, P,R,U ,V	1
R 282	BACB28AP08P229		..BUSHING	A,B,D ,E, G-V	1
R 285	BACR15BA3AD		..RIVET- (SIZE DETERMINE ON INST)	A,B,D ,E, G-V	8
R 290	MF51594-3-2BAC		..NUTPLATE- (V15653) (SPEC BACN10YF32CD)	A,B,D ,E, G-V	4
R 290A 295	BACN10JF32CD 113T6145-13		DELETED ..FITTING	A,B,G ,J,L, N,Q,S ,T	1
R -300	113T6145-14		..FITTING	D,E,H ,K,M, P,R,U ,V	1
R 305	113T6140-11		.FITTING ASSY-HINGE	A,B,G ,J,L, N,Q,S ,T	1
R -310	113T6140-12		.FITTING ASSY-HINGE	D,E,H ,K,M, P,R,U ,V	1
R 320	BACB28AM19B045A		..BUSHING	A,B,D ,E, G-V	2
R 325	113T6140-13		..FITTING	A,B,G ,J,L, N,Q,S ,T	1
R -330	113T6140-14		..FITTING	D,E,H ,K,M, P,R,U ,V	1

57-60-11

ILLUSTRATED PARTS LIST
01.1 Page 1086C
Jul 01/03

FIG. & ITEM	PART NO.	AIRLINE PART NUMBER	NOMENCLATURE 1234567	EFF CODE	QTY PER ASSY
R 02-335	BACS40R010B010F		DELETED		
R 340	113T6112-1		.RIB ASSY	A-C,G ,J,L, N,Q,S ,T	1
R -345	113T6112-2		..RIB ASSY	D-F,H ,K,M, P,R,U ,V	1
R 350	BACR15BA3AD		..RIVET- (SIZE DETERMINE ON INST)	A,B,D ,E, G-V	6
R 355	BACN10JQ43CD		..NUTPLATE	A,B,D ,E, G-V	1
R 360	BACN10JQ33CD		..NUTPLATE	A,B,D ,E, G-V	2
R 365	113T6112-3		..RIB	A-C,G ,J,L, N,Q,S ,T	1
R -370	113T6112-4		..RIB	D-F,H ,K,M, P,R,U ,V	1
	375	BACR15BA3AD	DELETED		
	380	MF51594-3-3BAC	DELETED		
	385	MF51594-4-3BAC	DELETED		
	390	BACB30MY6K	DELETED		
R 395	113T6142-1		.FITTING ASSY-ACTR (OPT ITEM 410A)	A,B,G ,J,L, N,Q,S ,T	1
R -395A	113T6142-10		.FITTING ASSY-ACTR (OPT ITEM 410)	A,B,G ,J,L, N,Q,S ,T	1
R -400	113T6142-2		.FITTING ASSY-ACTR (OPT ITEM 415A)	D,E,H ,K,M, P,R,U ,V	1

57-60-11

 ILLUSTRATED PARTS LIST
 01.1 Page 1086D
 Jul 01/03

FIG. & ITEM	PART NO.	AIRLINE PART NUMBER	NOMENCLATURE 1234567	EFF CODE	QTY PER ASSY
R 02-400A	113T6142-11		.FITTING ASSY-ACTR (OPT ITEM 415)	D,E,H ,K,M ,P,R,U ,V	1
R 405	BACB28AM22B060A		..BUSHING	A,B,D ,E ,G-V	2
R 407	BACB28AP16P058		..BUSHING	A,B,D ,E ,G-V	2
R 410	113T6142-3		..FITTING- (USED ON ITEM 395)	A,B,G ,J,L ,N,R,S ,T	1
R -410A	113T6142-12		..FITTING- (USED ON ITEM 395A)	A,B,G ,J,L ,N,Q,S ,T	1
R -415	113T6142-4		..FITTING- (USED ON ITEM 400)	D,E,H ,K,M ,P,R,U ,V	1
R -415A	113T6142-13		..FITTING- (USED ON ITEM 400A)	D,E,H ,K,M ,P,R,U ,V	1
R 420	113T6141-1		.FITTING ASSY-ACTR (OPT ITEM 420A)	A-C,G ,J,L ,N,Q,S ,T	1
R -420A	113T6141-10		.FITTING ASSY-ACTR (OPT ITEM 420)	A,B,G ,J,L ,N,Q,S ,T	1

57-60-11

FIG. & ITEM	PART NO.	AIRLINE PART NUMBER	NOMENCLATURE 1234567	EFF CODE	QTY PER ASSY
R 02-425	113T6141-2		.FITTING ASSY-ACTR (OPT ITEM 425A)	D,E,H ,K,M, P,R,U ,V	1
R -425A	113T6141-11		.FITTING ASSY-ACTR (OPT ITEM 425)	D,E,H ,K,M, P,R,U ,V	1
R 430	BACB28AM22B060A		..BUSHING	A,B,D ,E, G-V	2
R 435	BACB28AP16P058		..BUSHING	A,B,D ,E, G-V	2
R 440	113T6141-3		..FITTING- (USED ON ITEM 420)	A,B,G ,J,L, N,Q,S ,T	1
R -445	113T6141-12		..FITTING- (USED ON ITEM 420A)	A,B,G ,J,L, N,Q,S ,T	1
R -450	113T6141-4		..FITTING- (USED ON ITEM 425A)	D,E,H ,K,M, P,R,U ,V	1
R -455	113T6141-13		..FITTING- (USED ON ITEM 425A)	D,E,H ,K,M, P,R,U ,V	1

57-60-11

 ILLUSTRATED PARTS LIST
 01.1 Page 1086F
 Jul 01/03

FIG. & ITEM	PART NO.	AIRLINE PART NUMBER	NOMENCLATURE 1234567	EFF CODE	QTY PER ASSY
R 02-460	113T6113-5		.RIB ASSY	A,B,G ,J,L, N,Q,S ,T	1
R -465	113T6113-6		.RIB ASSY	D,E,H ,K,M, P,R,U ,V	1
R 466	BACR15BA3AD		.RIVET- (SIZE DETERMINE ON INST)	A,B,D ,E, G-V	6
R 467	MF51594-3-3BAC		.NUTPLATE- (V15653) (SPEC BACN10YF33CD)	A,B,D ,E, G-V	2
R 468	MF51594-4-3BAC		.NUTPLATE- (V15653) (SPEC BACN10YF43CD)	A,B,D ,E, G-V	1
R 470	113T6113-3		..RIB	A-C,G ,J,L, N,Q,S ,T	1
R -475	113T6113-4		..RIB	D-F,H ,K,M, P,R,U ,V	1
R 480	113T6143-1		.FITTING ASSY-HINGE	A,B,G ,J,L, N,Q,S ,T	1

57-60-11

ILLUSTRATED PARTS LIST
01.1 Page 1086G
Jul 01/03

FIG. & ITEM	PART NO.	AIRLINE PART NUMBER	NOMENCLATURE 1234567	EFF CODE	QTY PER ASSY
R 02-490	113T6143-2		.FITTING ASSY-HINGE	D,E,H ,K,M, P,R,U ,V	1
R 495	BACB28AM19B045A		..BUSHING	A,B,D ,E, G-V	1
R 500	BACB28AP14P043		..BUSHING	A,B,D ,E, G-V	1
R 505	113T6143-3		..FITTING	A-C,G ,J,L, N,Q,S ,T	1
R -510	113T6143-4		..FITTING	D-F,H ,K,M, P,R,U ,V	1
R 515	113T6144-9		.FITTING ASSY-OUTBD FAIL SAFE HINGE SPRT	A,B,G ,J,L, N,Q,S ,T	1
R -520	113T6144-10		.FITTING ASSY-OUTBD FAIL SAFE HINGE SPRT	D,E,H ,K,M, P,R,U ,V	1
R 525	BACB28AP08P178		..BUSHING	A,B,D ,E, G-V	1
R 530	BACR15BA3AD		..RIVET- (SIZE DETERMINE ON INST)	A,B,D ,E, G-V	6
R 535 535A	MF51594-3-2BAC BACN10JF32CD		DELETED ..NUTPLATE	A,B,D ,E, G-V	3
R -540	113T6144-11		..FITTING	A,B,G ,J,L, N,Q,S ,T	1
R -545	113T6144-12		..FITTING	D,E,H ,K,M, P,R,U ,V	1

57-60-11

 ILLUSTRATED PARTS LIST
 01.1 Page 1086H
 Jul 01/03

BOEING
COMPONENT
MAINTENANCE MANUAL

FIG. & ITEM	PART NO.	AIRLINE PART NUMBER	NOMENCLATURE 1234567	EFF CODE	QTY PER ASSY
R 02-550	BACB30NM3K4		.BOLT	A,B,D ,E, G-V	36
R 555	NAS1149D0316J		.WASHER	A,B,D ,E, G-V	36
R 560	BACR15BA3AD		.RIVET- (SIZE DETERMINE ON INST)	A,B,D ,E, G-V	72
R 565	MF51594-3-2BAC		.NUTPLATE- (V15653) (SPEC BACN10YF32CD)	A,B,D ,E, G-V	24
R 567	MF51594-3-3BAC		.NUTPLATE- (V15653) (SPEC BACN10YF33CD)	A,B,D ,E, G-V	12
R -570	113T6110-95		.SPAR ASSY	A,B,G ,J,L, N,Q,S ,T	1
R -575	113T6110-96		.SPAR ASSY	D,E,H ,K,M, P,R,U ,V	1
R 580	113T6110-39		..DOOR-ACCESS	A,B,D ,E, G-V	3
R 585	113T6110-25		.PLATE-UPR	A,B,G ,J,L, N,Q,S ,T	1

57-60-11

ILLUSTRATED PARTS LIST
01.1 Page 1086I
Jul 01/03

FIG. & ITEM	PART NO.	AIRLINE PART NUMBER	NOMENCLATURE 1234567	EFF CODE	QTY PER ASSY
R 02-590	113T6110-26		.PLATE-UPR	D,E,H ,K,M, P,R,U ,V	1
R 595	113T6110-27		.PLATE-LWR	A,B,G ,J,L, N,Q,S ,T	1
R -600	113T6110-28		.PLATE-LWR	D,E,H ,K,M, P,R,U ,V	1
R 605	113T6110-59		.PLATE-UPR SPLICE	A,B,D ,E, G-V	2
R 610	113T6110-60		.PLATE-LWR SPLICE	A,B,D ,E, G-V	2

- Item Not Illustrated

57-60-11

 ILLUSTRATED PARTS LIST
 01.1 Page 1086J
 Jul 01/03